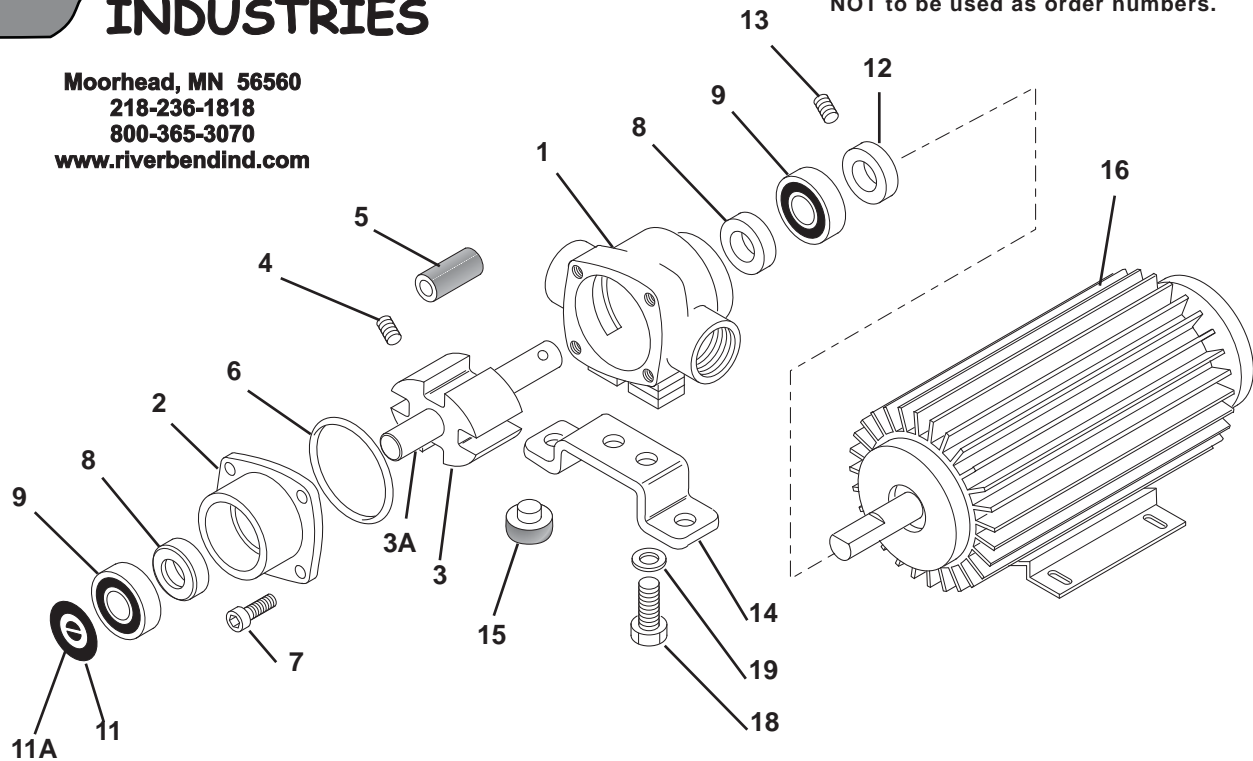


Moorhead, MN 56560
 218-236-1818
 800-365-3070
 www.riverbendind.com

NOTE

When ordering parts, give QUANTITY, PART NUMBER, DESCRIPTION and COMPLETE MODEL NUMBER. Reference numbers are used ONLY to identify parts in the drawing and are NOT to be used as order numbers.



Ref. No.	Qty. Req'd	Part Number	Description	Ref. No.	Qty. Req'd	Part Number	Description
1	1	0100-4001N	Body (Ni-Resist) with Std. Seal (4001)	8	2	2107-0002	Viton Seal (Standard)
1	1	0100-4101N	Body (Ni-Resist) with Std. Seal (4101)	8	2	2102-0001	Buna-N Seal (Optional)
1	1	0100-4001X	Body (Silvercast) with Std. Seal (4001)	8	2	2102-0001T	Teflon-Coated Buna-N Seal (Optional)
1	1	0100-4101X	Body (Silvercast) with Std. Seal (4101)	9	2	2000-0010	Ball Bearing
2	1	0200-4001N	Endplate (Ni-Resist) Std. Seal (4001)	11	1	2300-0021	Bearing Cover
2	1	0200-4101N	Endplate (Ni-Resist) Std. Seal (4101)	11A	1	6031-0258	Name Plate (Specify Pump Model No.)
2	1	0200-4001X	Endplate (Silvercast) Std. Seal (4001)	12	1	1420-0001	Locking Collar
2	1	0200-4101X	Endplate (Silvercast) Std. Seal (4101)	13	1	2230-0001	Set Screw
3	1	0301-4001N	Rotor (Ni-Resist) & Shaft Assy (4001)	14	1	1510-0054	Base
3	1	0301-4101N	Rotor (Ni-Resist) & Shaft Assy (4101)	15	2	1450-0003	Bumper
3	1	0301-4001X	Rotor (Silvercast) & Shaft Assy (4001)	16	1	2570-0013	Electric Motor (12 vdc, .33 hp) (gold)
3	1	0301-4101X	Rotor (Silvercast) & Shaft Assy (4101)	16	1	2570-0015	Electric Motor (12 vdc, .39 hp) (black)
3A	1	0551-4000	Shaft Only	17	1	4001N-AH	Complete Roller Pump Assy (Not Shown)
4	1	2230-0016	Rotor Set Screw (Silvercast Only)	17	1	4001XL-AH	Complete Roller Pump Assy (Not Shown)
4	1	2230-0002	Rotor Set Screw	17	1	4101N-AH	Complete Roller Pump Assy (Not Shown)
5	4	1005-0002	Super Rollers (Standard)	17	1	4101XL-AH	Complete Roller Pump Assy (Not Shown)
5	4	1002-0002	Polypropylene Rollers (Optional)	18	2	2210-0003	Bolt
5	4	1001-0002	Buna-N Rollers (Optional)	19	2	2260-0002	Lock Washer
5	4	1055-0002	Teflon Rollers (Optional)	20	2	1900-0150	Torsion Spring (.33 hp) (Not Shown)
6	1	1720-0104	O-ring Gasket for Endplate	21	2	1900-0151	Torsion Spring (.39 hp) (Not Shown)
7	4	2220-0018	Endplate Screw				