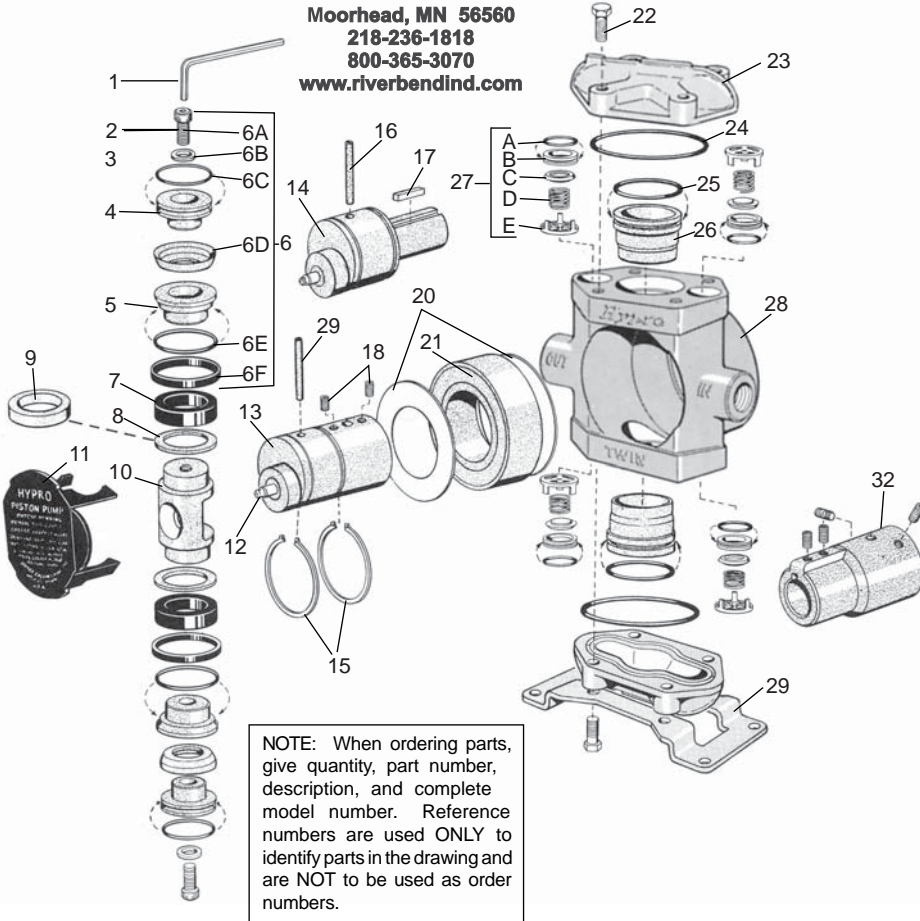


Moorhead, MN 56560
218-236-1818
800-365-3070
www.riverbendind.com



Piston Stack Parts Kits

Leather Cup Kit No. 3430-0037 (STD)

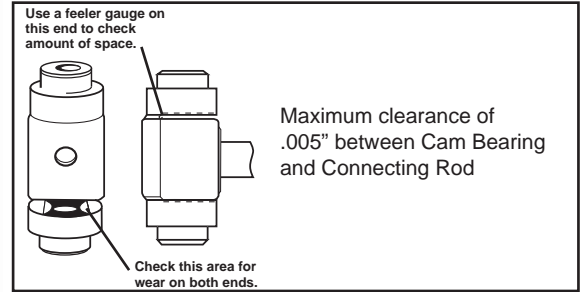
Consists of two each of the following parts: No. 2220-0013 Piston Cap Screw (Ref. 6A), No. 2270-0012 Washer (Ref. 6B), No. 1720-0030 O-Ring (Ref. 6C), No. 2150-0001 Leather Cup (Ref. 6D), No. 1720-0065 O-Ring (Ref. 6E) and No. 1440-0012 Seal Ring (Ref. 6F).

Fabric Cup Kit No. 3430-0039

Same as Leather Cup Kit except with two No. 2150-0012 Fabric Cups.

Rubber Cup Kit No. 3430-0189

Same as Leather Cup Kit except with two No. 2150-0042 Rubber Cups.



Crankshafts

Complete Assembly

Includes:

Ref 12

Ref 13 or 14

Sub-Assembly

Includes:

Ref 12

Ref 13 or 14

Ref 16

PART NO.

Ref 15

Ref 16

Ref 20

Ref 21

PART NO.

Pump

Model

Number

with 1-3/8" Hollow PTO Shaft (Ref. 13)

5503-5206

5501-5206

5206C-H

5503-5210

5501-5210

5210C-H

with 1" Solid Shaft (Ref. 14)

5003-5206

5001-5206

5206C

5003-5210

5001-5210

5210C

Ref. No.	Qty. Req.	Part Number	Description
1	1	3020-0008	Allen Wrench (Optional)
2	2	2220-0013	Piston Cap Screw
3	2	2270-0012	Washer
4	2	1830-0039	Piston Cup Spreader
5	2	1410-0054	Cup Backing Plate
6	1	3430-0037	Piston Stack Parts Kit with Leather Cups (Standard)
6	1	3430-0039	Piston Stack Parts Kit with Fabric Cups (Model 5200-F)
6	1	3430-0189	Piston Stack Parts Kit with Buna-N Cups (Model 5200-R)
7	2	1440-0005	Piston Guide
8	2	1410-0018	Support Ring For 5210 Models Only
9	2	1410-0020	Support Ring For 5206 Models Only
10	1	0503-5200	Connecting Rod
11	1	0602-5200	Safety Cover
12	1	2405-0006	Grease Fitting Assembly
13	1	See Listing	Crankshaft (Hollow Shaft Models)
14	1	See Listing	Crankshaft (Solid Shaft Models)
15	2	1810-0001	Retainer Ring

Ref. No.	Qty. Req.	Part Number	Description
16	1	1600-0013	Crankpin Retainer
17	1	1610-0005	Key (Solid Shaft Models)
18	2	2230-0003	Set Screw
20	2	1410-0006	Slinger Ring
21	1	2005-0002	Main Bearing
22	8	2210-0062	Cylinder Head Bolt
23	2	0203-5200C	Cylinder Head
24	2	1720-0028	O-Ring – for Cylinder Head
25	2	1720-0019	O-Ring – for Cylinder Sleeve
26	2	3550-0007	Cylinder Sleeve
27	4	3400-0038	Valve Assembly—Consists of: O-ring (Ref. A) 1720-0007 Valve Seat (Ref. B) 3210-0011 Valve Poppet (Ref. C) 3260-0002 Valve Spring (Ref. D) 1900-0017 Valve Spring Retainer (Ref. E) 3270-0004
28	1	0100-5200C	Body
29	1	1510-0024	Base
32	1	1320-0081	Adapter-Adapts 1" solid shaft to 1- 3/8" 6-spline PTO hollow shaft (Includes set screws.)