

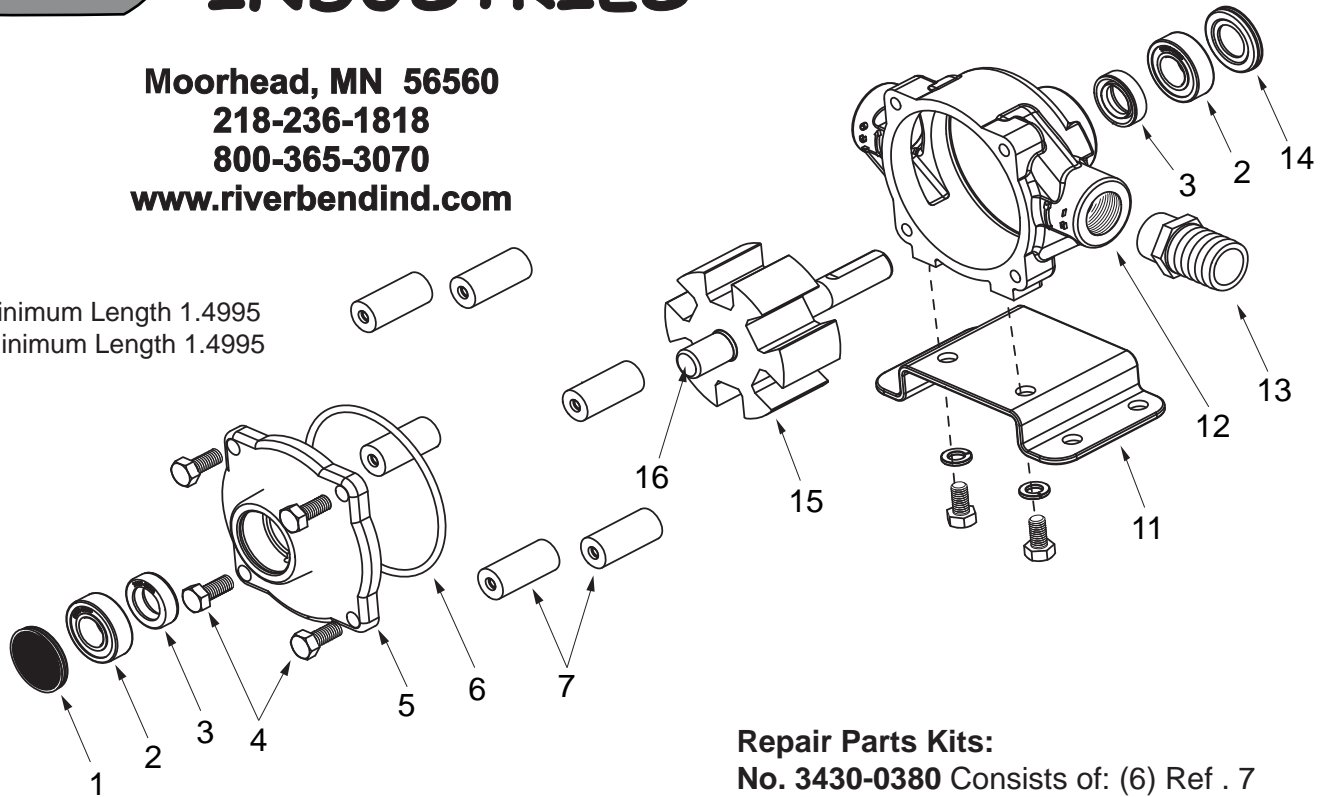
RIVER BEND



INDUSTRIES

Moorhead, MN 56560
 218-236-1818
 800-365-3070
www.riverbendind.com

Rotor Minimum Length 1.4995
 Roller Minimum Length 1.4995



Repair Parts Kits:

No. 3430-0380 Consists of: (6) Ref . 7 Super Rollers, (1) Ref. 6 O-Ring, and (2) Ref. 3 Viton Seals

No. 3430-0175 Consists of: (6) Ref . 7 Polypropylene Rollers, (1) Ref. 6 O-Ring, and (2) Ref. 3 Viton Seals

Ref No.	Qty	Part No.	Description
1	1	2300-0021	Bearing Cover
2	2	2000-0010	Sealed Ball Bearing
3	2	2107-0002	Viton Seal (Standard)
3	2	2102-0001	Buna-N Seal (Optional)
3	2	2102-0001T	Teflon-Coated Buna-N Seal (Optional)
4	4	2210-0004	Bolts
5	1	0200-6600C	Endplate (Cast Iron) with seal
5	1	0200-6600N	Endplate (Ni-Resist) with seal
5	1	0200-6600X	Endplate (SilverCast) with seal
6	1	1720-0008	O-Ring Gasket for Endplate
7	6	1005-0004	Super Roller (Standard)
7	6	1002-0004	Polypropylene Roller (Optional)
7	6	1052-0004	Buna-N Roller (Optional)
7	6	1055-0004	Teflon Roller (Optional)

Ref No.	Qty.	Part No.	Description
11	1	3420-0023	Base Kit - Includes: (1) Base, (2) Bolts and (2) Washers
12	1	0100-6600C	Body (Cast iron) with seal
12	1	0100-6600N	Body (Ni-Resist) with seal
12	1	0100-6600X	Body (SilverCast) with seal
13	1	2404-0052	1" Hose Barb
14	1	2300-0023	Shaft Bearing Cover
15	1	0300-6600C	Rotor Assembly (Cast iron)
15	1	0300-6600N	Rotor Assembly (Ni-Resist)
15	1	0300-6600X	Rotor Assembly (SilverCast)
16	1	0500-6600	Shaft Only