

Series 7560



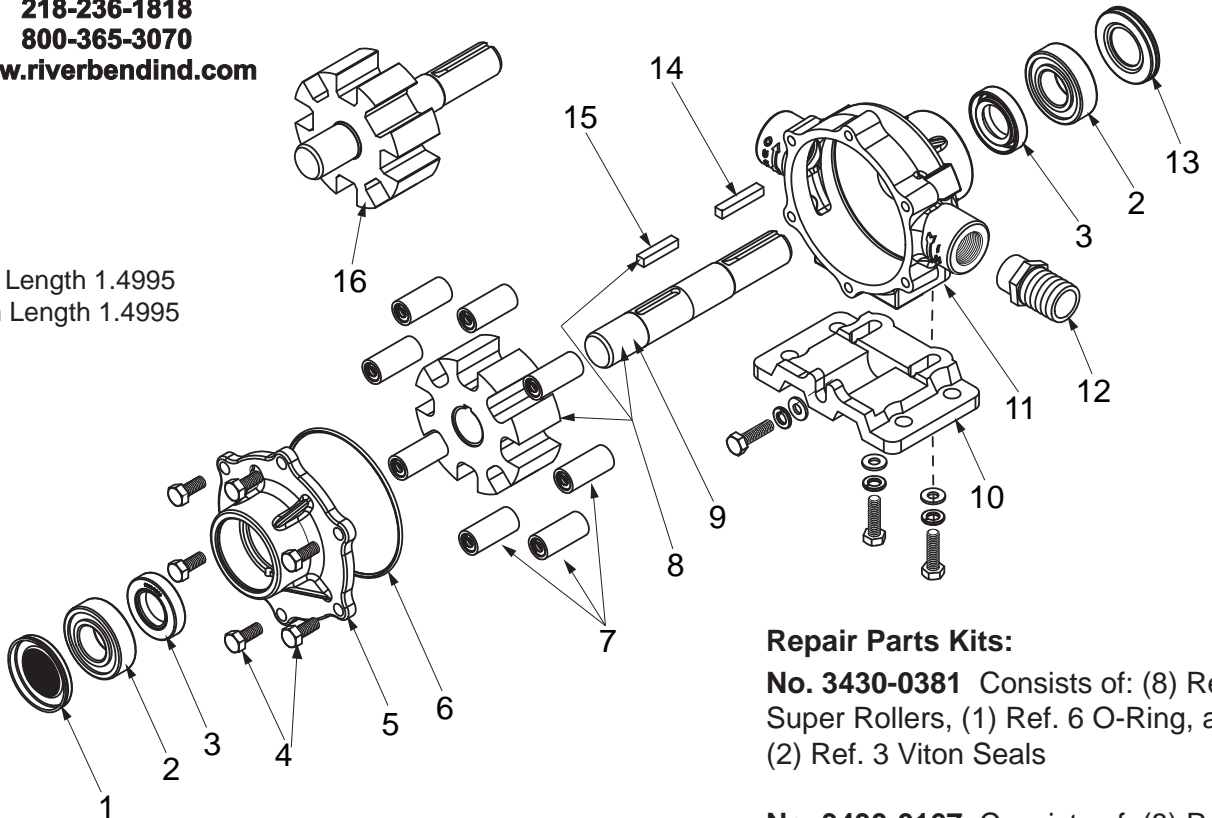
RIVER BEND



INDUSTRIES

Moorhead, MN 56560
218-236-1818
800-365-3070
www.riverbendind.com

Rotor Minimum Length 1.4995
Roller Minimum Length 1.4995



Repair Parts Kits:

No. 3430-0381 Consists of: (8) Ref. 7 Super Rollers, (1) Ref. 6 O-Ring, and (2) Ref. 3 Viton Seals

No. 3430-0167 Consists of: (8) Ref. 7 Polypropylene Rollers, (1) Ref. 6 O-Ring, and (2) Ref. 3 Viton Seals

| Ref No. | Qty | Part No. | Description |
|---------|-----|------------|---------------------------------|
| 1 | 1 | 2300-0020 | Bearing Cover |
| 2 | 2 | 2008-0001 | Sealed Ball Bearing |
| 3 | 2 | 2112-0003 | Viton Seal (Standard) |
| 3 | 2 | 2112-0001 | Buna-N Seal (Optional) |
| 4 | 6 | 2210-0004 | Bolts |
| 5 | 1 | 0204-7500C | Endplate (Cast iron) with seal |
| 5 | 1 | 0204-7500N | Endplate (Ni-Resist) with seal |
| 5 | 1 | 0204-7500X | Endplate (SilverCast) with seal |
| 6 | 1 | 1720-0014 | O-Ring Gasket for Endplate |
| 7 | 8 | 1005-0004 | Super Roller (Standard) |
| 7 | 8 | 1002-0004 | Polypropylene Roller (Optional) |
| 7 | 8 | 1052-0004 | Buna-N Roller (Optional) |
| 7 | 8 | 1055-0004 | Teflon Roller (Optional) |
| 8 | 1 | 044-7500S | Rotor Assembly (N & XL) |

| Ref No. | Qty | Part No. | Description |
|---------|-----|------------|---|
| 9 | 1 | 0510-7500 | Shaft (416 stainless) |
| 9 | 1 | 0500-7400 | Shaft (for Cast Rotor Only) |
| 10 | 1 | 3420-0003 | Base Kit - Includes: (1) Base, (3) Bolts and (3) Washers |
| 11 | 1 | 0104-7500C | Body (Cast iron) with Seal |
| 11 | 1 | 0104-7500N | Body (Ni-Resist) with Seal |
| 11 | 1 | 0104-7500X | Body (SilverCast) with Seal |
| 12 | 1 | 2404-0052 | 1" Hose Barb |
| 13 | 1 | 2300-0022 | Shaft Bearing Cover |
| 14 | 1 | 1610-0005 | Key |
| 15 | 1 | 1610-0059 | Key (Stainless Steel) |
| 16 | 1 | 0308-7560C | Rotor Assembly (Cast Iron) |
| 16 | 1 | 3430-0745 | Rotor Assembly (Ni-Resist, SilverCast) |