

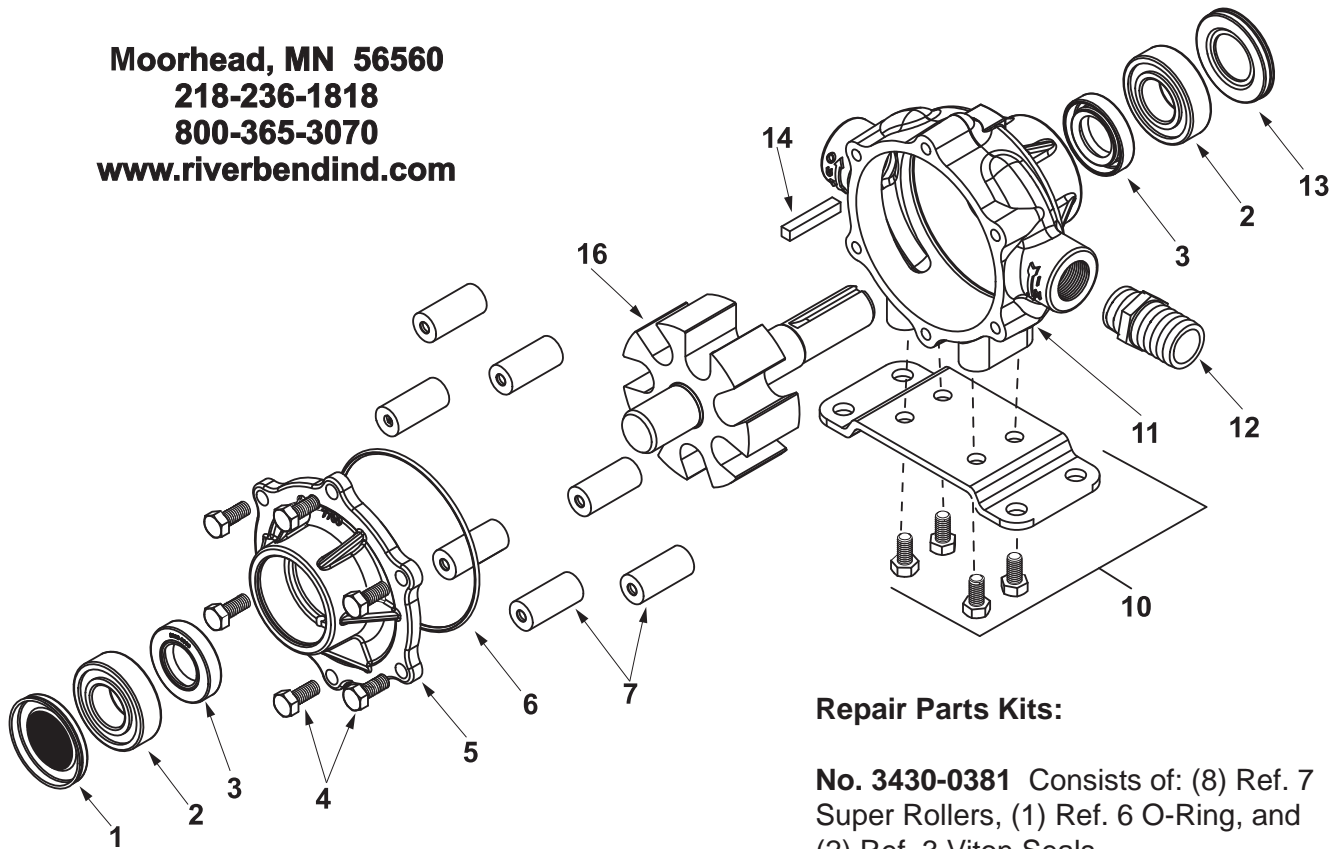
Series 7700

RIVER BEND



INDUSTRIES

Moorhead, MN 56560
 218-236-1818
 800-365-3070
www.riverbendind.com



Repair Parts Kits:

No. 3430-0381 Consists of: (8) Ref. 7 Super Rollers, (1) Ref. 6 O-Ring, and (2) Ref. 3 Viton Seals

No. 3430-0167 Consists of: (8) Ref. 7 Polypropylene Rollers, (1) Ref. 6 O-Ring, and (2) Ref. 3 Viton Seals

Ref No.	Qty	Part No.	Description
1	1	2300-0020	Bearing Cover
2	2	2008-0001	Sealed Ball Bearing
3	2	2112-0003	Viton Seal (Standard)
3	2	2112-0001	Buna-N Seal (Optional)
4	6	2210-0004	Bolts
5	1	0200-7700C	Endplate (Cast iron) with seal
5	1	0200-7700N	Endplate (Ni-Resist) with seal
5	1	0200-7700X	Endplate (SilverCast) with seal
6	1	1720-0014	O-Ring Gasket for Endplate
7	7	1005-0004	Super Roller (Standard)
7	7	1002-0004	Polypropylene Roller (Optional)
7	7	1052-0004	Buna-N Roller (Optional)
7	7	1055-0004	Teflon Roller (Optional)

Ref No.	Qty	Part No.	Description
10	1	3420-0003	Base Kit - Includes: (1) Base, (3) Bolts and (3) Washers
11	1	0104-7500C	Body (Cast iron) with seal
11	1	0104-7500N	Body (Ni-Resist) with seal
11	1	0104-7500X	Body (SilverCast) with seal
12	1	2404-0052	1" Hose Barb
13	1	2300-0022	Shaft Bearing Cover
14	1	1610-0005	Key
16	1	0300-7700C	Rotor Assembly (Cast Iron)
16	1	0300-7700N	Rotor Assembly (Ni-Resist)
16	1	0300-7700X	Rotor Assembly (SilverCast)
16	1	0301-7700C	Rotor Assembly (Cast Iron) Rev Rot.
16	1	0301-7700N	Rotor Assembly (Ni-Resist) Rev Rot.
16	1	0301-7700X	Rotor Assembly (SilverCast) Rev Rot.