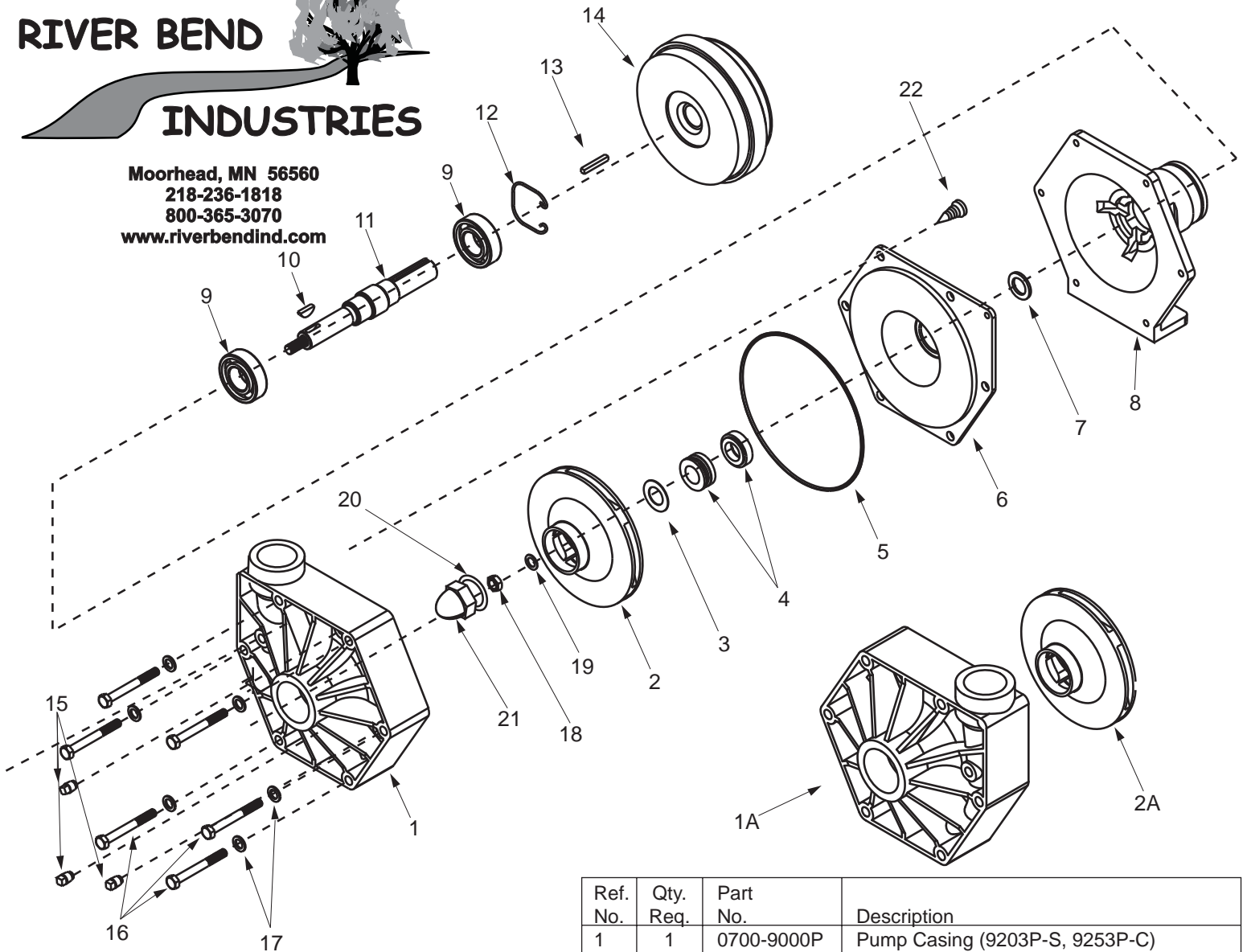


Moorhead, MN 56560
218-236-1818
800-365-3070
www.riverbendInd.com



Note: When ordering parts, give quantity, part number, description and complete model number. Reference numbers are used ONLY to identify parts in the drawing and NOT to be used as order numbers

Seal Kit for All Models
No. 3430-0333 consists of:
(1) Ref. 3 Gasket
(1) Ref. 4 Mechanical Seal
(1) Ref. 5 O-Ring
(1) Ref. 19 Washer
(1) Ref. 20 Gasket

Silicon Carbide Kit for All Models
No. 3430-0590 consists of:
(1) Ref. 4 Mechanical Seal
(1) Ref. 5 O-Ring
(1) Ref. 19 Washer
(1) Ref. 20 Gasket

Ref. No.	Qty. Req.	Part No.	Description
1	1	0700-9000P	Pump Casing (9203P-S, 9253P-C)
1A	1	0701-9500P	Pump Casing (9500P-S, 9553P-C)
2	1	0403-9000P	Impeller (Polypropylene) 9203P-S, 9253P-C
2A	1	0402-9000P	Impeller (Polypropylene) 9500P-S, 9553P-C
3	1	1700-0101	Gasket
4	1	2120-0011	Seal
5	1	1721-0083	O-Ring
6	1	0750-9000P	Back Cover (9203P-S, 9253P-C)
6A	1	0700-9500P	Back Cover (9500P-S, 9553P-C)
7	1	1410-0083	Slinger Ring
8	1	0702-9200C	Flange
9	2	2008-0001	Bearing
10	1	1610-0042	Woodruff Key (Stainless Steel)
11	1	0507-9200	Shaft (316 Stainless Steel)
12	1	1820-0025	Retaining Ring
13	1	1610-0004	Key
14	1	2526-0011	Clutch
15	4	2406-0020	Plug
16	6	2210-0087	Hex Head Bolt
17	6	2270-0041	Washer
18	1	2250-0051	Jam Nut
19	1	2270-0057	Washer
20	1	1700-0097	Gasket
21	1	2250-0052	Impeller Nut
22	1	2210-0088	Screw