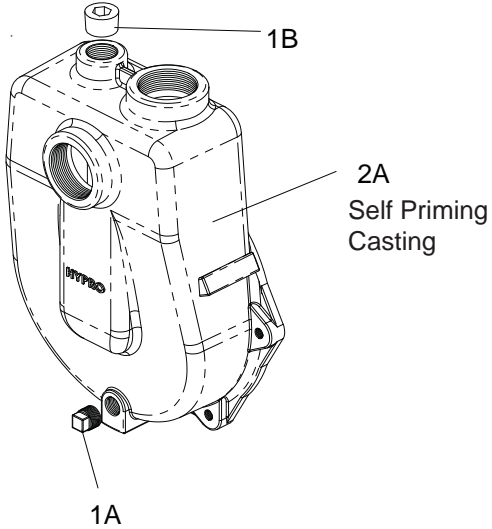


Moorhead, MN 56560  
 218-236-1818  
 800-365-3070  
[www.riverbendind.com](http://www.riverbendind.com)

**Silicon Carbide Kit**  
 No. 3430-0646 consists of:  
 (1) Ref. 7 Mechanical Seal  
 (1) Ref. 8 O-Ring

**Seal Kit for 9205C and 9205C-SP**  
 No. 3430-0537 consists of:  
 (1) Ref. 6 Gasket  
 (1) Ref. 7 Mechanical Seal  
 (1) Ref. 8 O-Ring



Ref. No.	Qty. Req'd	Part No.	Description
1	4	2406-0007	Drain Plug
1A	1	2406-0002	Drain Plug, 1/2" NPT
1B	1	2406-0034	Prime Plug, 1" NPT
2	1	0152-9200C	Pump Casing (9205C)
2A	1	3430-0481SP	Pump Casing, Self Priming (9205C-SP)
3	1	2253-0002	Impeller Nut
4	1	2270-0071	Washer
5	1	0403-9200P	Impeller, Nylon
6	1	1700-0101	Gasket
7	1	2120-0011	Seal, Mechanical (Viton)
8	1	1720-0180	O-Ring
9	1	1410-0083	Slinger Ring
10	1	0751-9200C	Mounting Frame
11	6	2210-0086	Bolt
12	1	2300-0035	Protective Cover
13	2	2008-0001	Ball Bearing
14	1	1610-0012	Key
15	1	0507-9200	Pump Shaft
16	1	1820-0025	Bearing Retainer
17	1	1610-0004	Key

NOTE: When ordering parts, give QUANTITY, PART NUMBER, DESCRIPTION, and COMPLETE MODEL NUMBER. Reference numbers are used ONLY to identify parts in the drawing and are NOT to be used as order numbers.