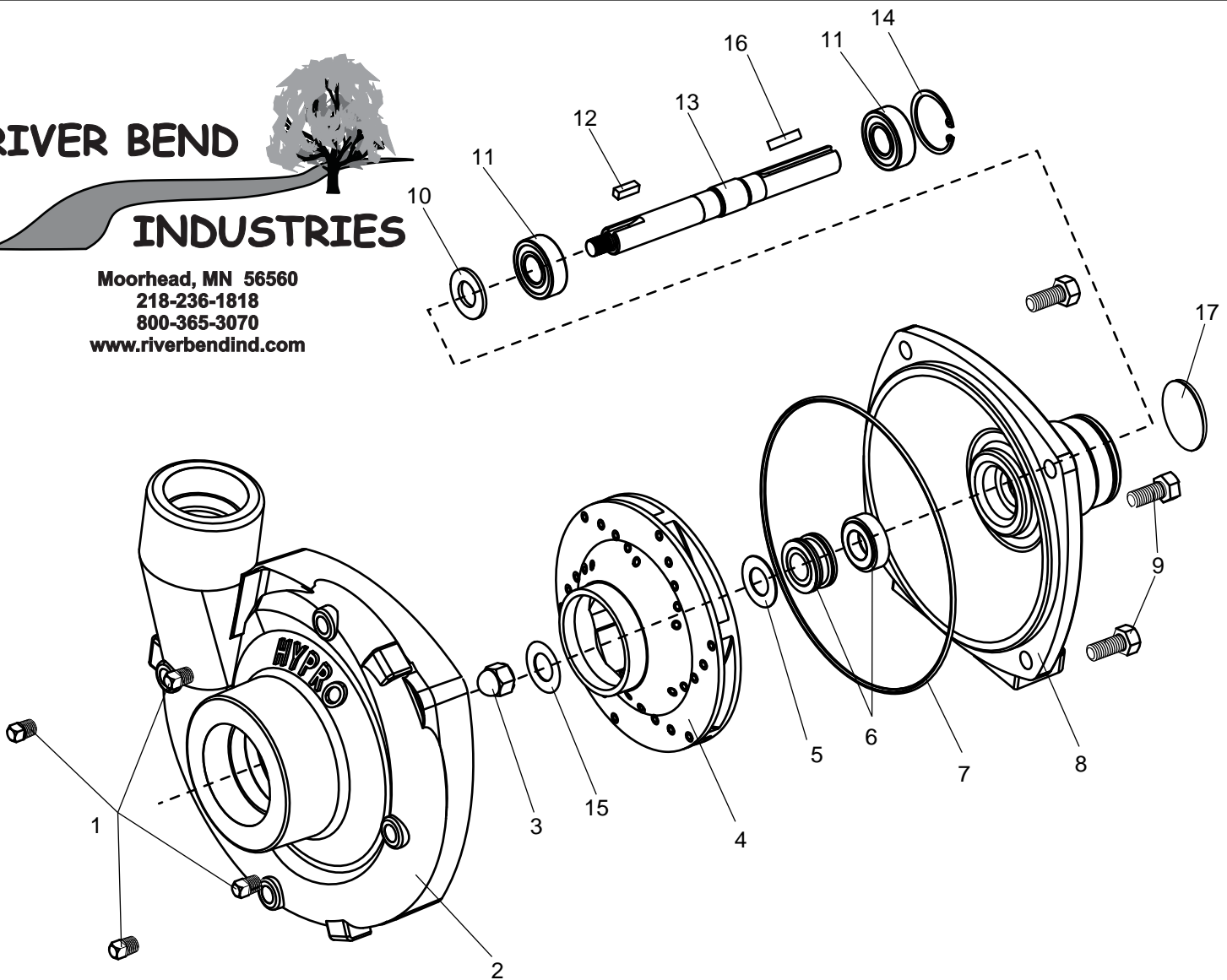


RIVER BEND



INDUSTRIES

Moorhead, MN 56560
218-236-1818
800-365-3070
www.riverbendind.com



Seal Kit for 9206C
No. 3430-0332 consists of:
(1) Ref. 5 Gasket
(1) Ref. 6 Mechanical seal
(1) Ref. 7 O-Ring

Seal Kit for 9206S
No. 3430-0549 consists of:
(1) Ref. 6 Mechanical seal
(1) Ref. 7 O-Ring

Note: When ordering parts, give quantity, part number, description and complete model number. Reference numbers are used ONLY to identify parts in the drawing and NOT to be used as order numbers.

Ref No.	Qty Req	Part No.	Description
1	4	2406-0007	Pipe Plug 9206C
1	4	2406-0016	Pipe Plug 9206S
2	1	0154-9200C1	Cover 9206C
2	1	0154-9200S1	Cover 9206S
3	1	2253-0002	Impeller Nut 9206C
3	1	2253-0006	Impeller Nut 9206S
4	1	0401-9200P2	Nylon Impeller 9206C
4	1	0405-9200P2	Poly Impeller 9206S
5	1	1700-0100	Gasket (Cast iron only)
6	1	2120-0009	Mech. Seal 9206C
6	1	3430-0589	Silicon Carbide Seal 9206S
7	1	1720-0083	O-Ring

Ref No.	Qty Req	Part No.	Description
8	1	0750-9200C4	Mounting Flange 9206C
8	1	0756-9200S	Mounting Flange 9206S
9	4	2210-0020	Screw Hex Head 9206C
9	4	2210-0125	Screw Hex Head 9206S
10	1	1410-0056	Slinger Ring
11	2	2000-0010	Bearing
12	1	1610-0053	Key 9206C
12	1	1610-0057	Key 9206S
13	1	0505-9200	Shaft
14	1	1820-0013	Retaining Ring
15	1	2270-0071	Washer
16	1	1610-0004	Key
17	1	2300-0025	Protective Cover