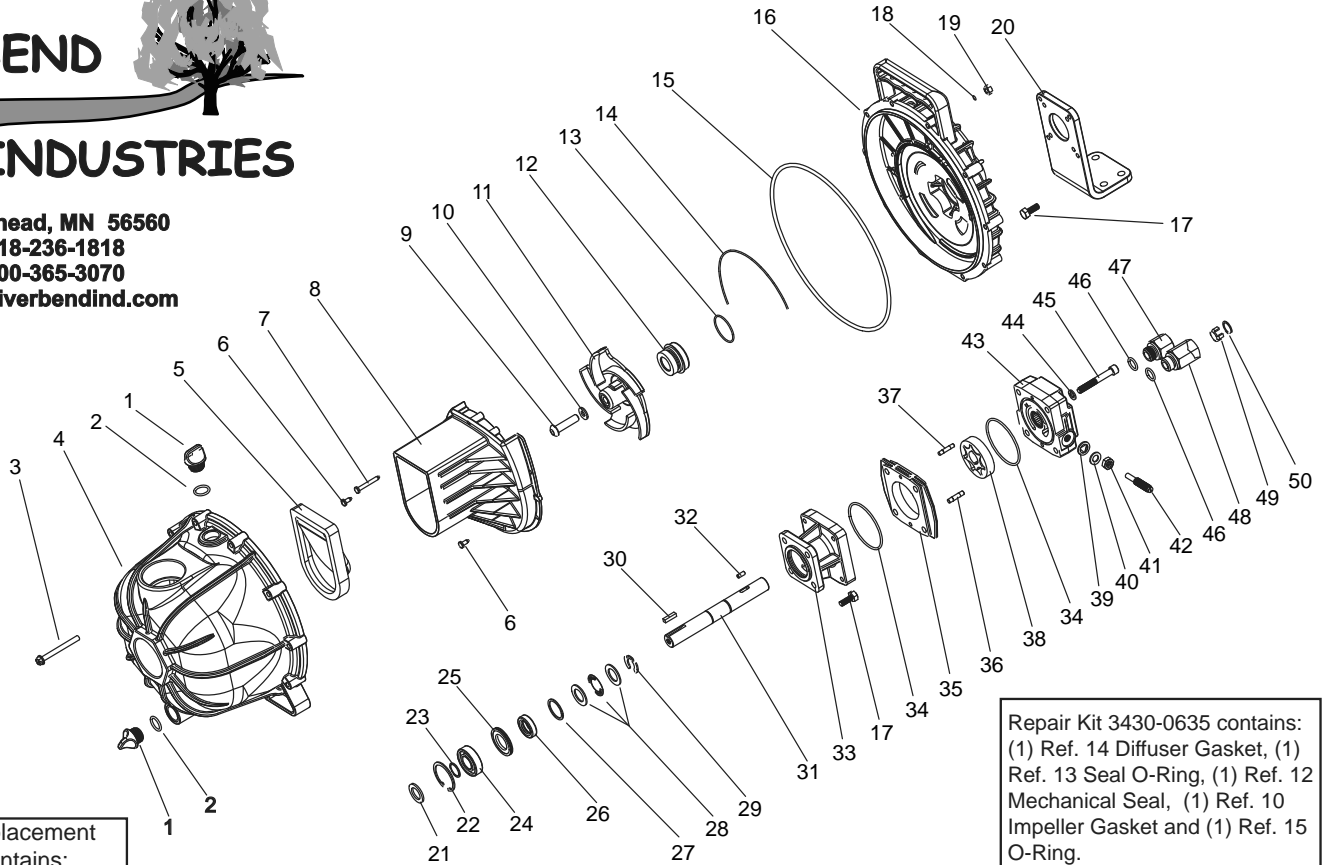


Moorhead, MN 56560
218-236-1818
800-365-3070
www.riverbendind.com



Hydraulic Motor Replacement Part # 2500-0043 contains: Ref. Nos. 21 thru 50.
Hydraulic Motor Repair Kit Part # 3430-0178 contains: Ref. Nos. 24, 26, 34, 39, 46.

Repair Kit 3430-0635 contains: (1) Ref. 14 Diffuser Gasket, (1) Ref. 13 Seal O-Ring, (1) Ref. 12 Mechanical Seal, (1) Ref. 10 Impeller Gasket and (1) Ref. 15 O-Ring.

Pump Head Kit 3430-0637 includes all items shown above, less motor components and mounting hardware (items 1-16, 18 and 19).

Ref. No.	Qty. Req'd.	Part No.	Description	Ref. No.	Qty. Req'd.	Part No.	Description
1	2	2404-0350P	Fill/Drain Plug	31	1	0525-2500	Shaft (HM1C and HM5C Models)
2	2	1720-0230	Plug O-Ring	31	1	0526-2500	Shaft (HM2C and HM4C Models)
3	10	2210-0141	Bolt	32	1	1610-0032	Key (HM2C and HM4C Models)
4	1	0100-1540P	Pump Housing	32	1	1610-0031	Key (HM1C and HM5C Models)
5	1	1700-0208	Flapper Valve	33	1	0153-2500C	Motor Body (Includes Main Bearing)
6	2	2210-0145	Volute Mounting Screw (Short)	34	2	1720-0110	O-Ring
7	1	2210-0144	Volute Mounting Screw (Long)	35	1	0701-2500C	Spacer (HM2C Model) 1/4" Wide
8	1	0150-1540P	Volute	35	1	0700-2500C	Spacer (HM1C Model) 1/2" Wide
9	1	2210-0142	Impeller Retaining Bolt	35	1	0703-2500C	Spacer (HM4C Model) 5/16" Wide
10	1	1700-0210	Impeller Gasket	35	1	0704-2500C	Spacer (HM5C Model) 5/8" Wide
11	1	0401-1540P	Impeller	36	1	1600-0044	Locating Pin (HM1C and HM5C)
12	1	2120-0044	Mechanical Seal	36	1	1600-0045	Locating Pin (HM2C and HM4C)
13	1	1720-0231	Seal O-Ring	37	1	1600-0037	Locating Pin (HM1C and HM5C)
14	1	1700-0209	Volute Gasket	37	1	1600-0042	Locating Pin (HM2C and HM4C)
15	1	1720-0229	Pump Body O-Ring	38	1	3900-0022	Gerotor (HM1C Model)
16	1	0750-1540P	Pump Flange	38	1	3900-0023	Gerotor (HM2C Model)
17	8	2210-0004	Mounting Bolt	38	1	3900-0025	Gerotor (HM4C Model)
18	10	1410-0115	Lock Washer	38	1	3900-0048	Gerotor (HM5C Model)
19	10	2250-0087	Nut	39	1	1700-0047	Gasket
20	1	1510-0109	Motor Bracket	40	1	2270-0027	Washer
21	1	1410-0083	Slinger Ring	41	1	2250-0038	Lock Nut
22	1	1820-0039	Retaining Ring	42	1	3220-0029	Bypass Adjusting Screw
23	1	1810-0011	Snap Ring	43	1	0252-2500C	Motor End Plate (Includes Main Brng.)
24	1	2000-0017	Bearing	44	4	2270-0039	Washer
25	1	1410-0116	Spacer	45	4	2220-0045	Cap Screw
26	1	2104-0006	Hydraulic Motor Shaft Seal	46	2	1720-0108	O-Ring
27	1	1410-0074	Seal Spacer	47	1	3360-0021	Pressure Port Adapter
28	1	2029-0014	Thrust Bearing Assembly	48	1	3320-0049	Tank Port Adapter
29	1	1810-0026	Snap Ring	49	1	3260-0068	Poppet
30	1	1610-0044	Key	50	1	1820-0038	Retaining Ring