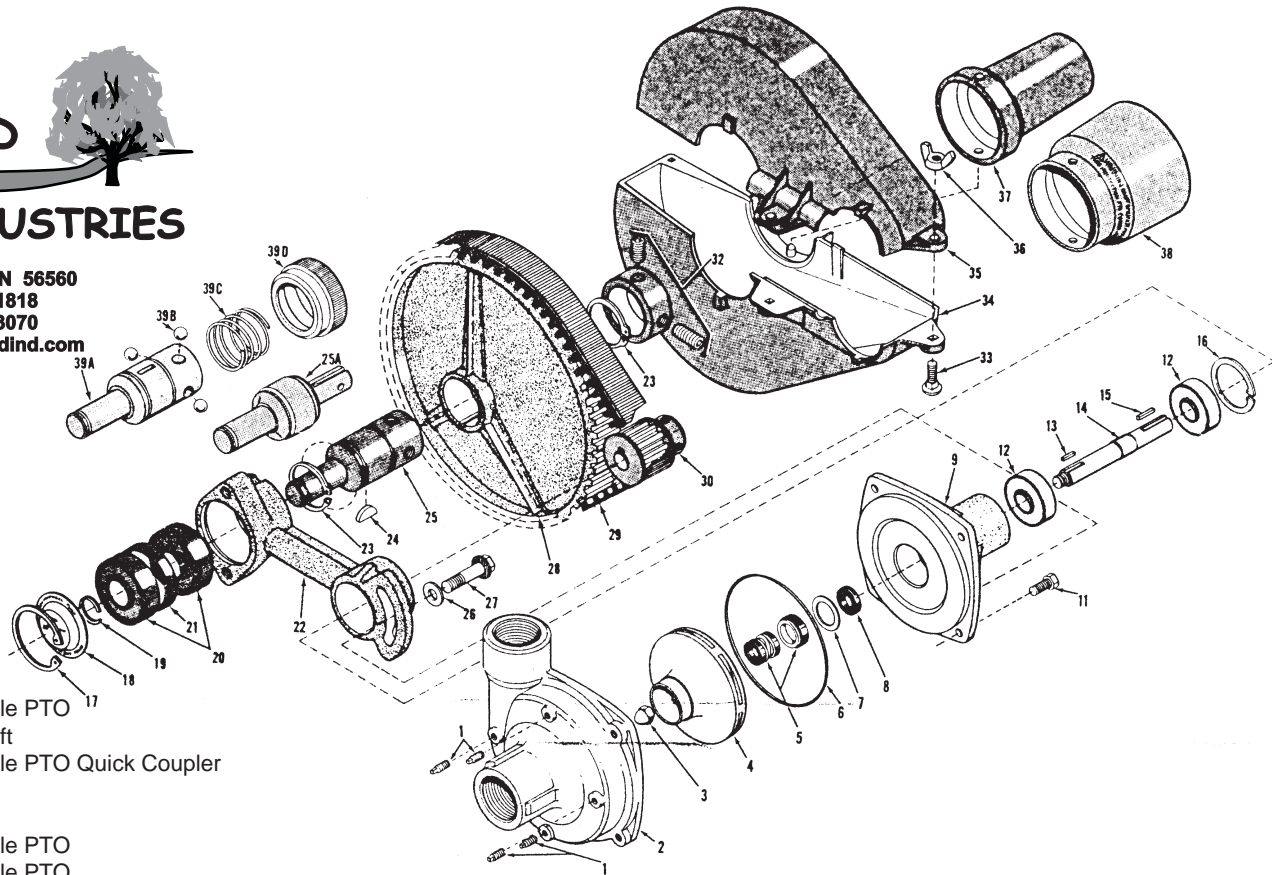


## RIVER BEND INDUSTRIES

Moorhead, MN 56560  
218-236-1818  
800-365-3070  
www.riverbendind.com



540 RPM  
9401C-B1 1-3/8" Female PTO  
9401C-B3 1" Solid Shaft  
9401C-B6 1-3/8" Female PTO Quick Coupler

1000 RPM  
9401C-B2 1-3/8" Female PTO  
9401C-B4 1-3/4" Female PTO  
9401C-B5 1" Solid

Ref. #	Qty Req'd	Part No	Description
1	4	2406-0007	Drain/Vent Plug
2	1	0150-9200C	Pump Casting 1-1/4 x 1
3	1	2253-0002	Impeller Nut
4	1	0401-9100P	Impeller
5	1	2120-0009	Seal (Viton)
6	1	1720-0083	O-Ring
7	1	1830-0040	Pump Shaft Seal Retainer
8	1	1410-0056	Slinger Ring
9	1	0750-9400C	Mounting Flange (Pump Housing)
11	4	2210-0020	Bolt
12	2	2000-0010	Bearing
13	1	1610-0015	Key
14	1	0502-9400	Shaft
15	1	1610-0004	Key
16	1	1820-0013	Key Pump Shaft
17	1	1820-0032	Internal Snap Ring
18	1	0600-9400	Nameplate
18	1	0601-9400	Nameplate
18	1	0605-9400	Nameplate
18	1	0607-9400	Nameplate
18	1	0609-9400	Nameplate
18	1	0611-9400	Nameplate
19	1	1810-0012	External Snap Ring
20	2	2001-0006	Bearing
21	1	1410-0081	Spacer
22	1	0700-9400D	Pulley Adjusting Arm
23	2	1810-0031	Retaining Ring for Driver Pulley
23	2	1810-0032	Retainer Ring Driver Pulley 9401C-B3 ONLY
24	1	1610-0033	Woodruff Key
24	1	1610-0034	Woodruff Key - 9401C-B3 ONLY
25	1	0550-9400F2	Shaft - for driver pulley - Model 9401C-B1
25	1	0551-9400F1	Shaft - for driver pulley - Model 9401C-B2
25	1	0550-1322F3	Shaft - for driver pulley - Model 9401C-B3
25A	1	0501-9400	Shaft - for driver pulley - Model 9401C-B4 and 9401C-B5

Ref. No.	Qty. Req'd.	Part No.	Description
26	1	2270-0004	Washer
27	1	2210-0079	Locking Bolt
28	1	3115-0013	Driver Pulley - Model 9401C-B1, 9401C-B4, 9401C-B6
28	1	3115-0014	Driver Pulley - Model 9401C-B2, 9401C-B5
28	1	3115-0015	Driver Pulley - Model 9401C-B3
29	1	3103-0009	Belt - 600 RPM
29	1	3103-0010	Belt - 1000 RPM
30	1	3115-0012	Driven Pulley - Model 9401C-B1, 9401C-B2, 9401C-B3, 9401C-B6
30	1	3115-0017	Driven Pulley - Model 9401C-B4, 9401C-B5
32	1	3430-0207	Locking Collar Kit, B1 & B2
32	1	3430-0190	Locking Collar Kit, B3
33	3	2240-0017	Carriage Bolt
34	1	2840-0032	Shield for 540 RPM Models - Right
35	1	2840-0031	Shield for 540 RPM Models - Left
34	1	2840-0039	Shield for 1000RPM Models - Right
35	1	2840-0038	Shield for 1000RPM Models - Left
36	3	2252-0002	Wing Nut
37	1	2840-0033	Shield for PTO Models 9401C-B1, 9401C-B2, 9401C-B3, 9401C-B6
38	1	2840-0036	Shield for PTO Models 9401C-B4, 9401C-B5
39A	1	0550-9400F3	Shaft - for Quick Couplers
39B	3	3250-0004	Balls
39C	1	1900-0115	Spring
39D	1	1400-0021	Sleeve