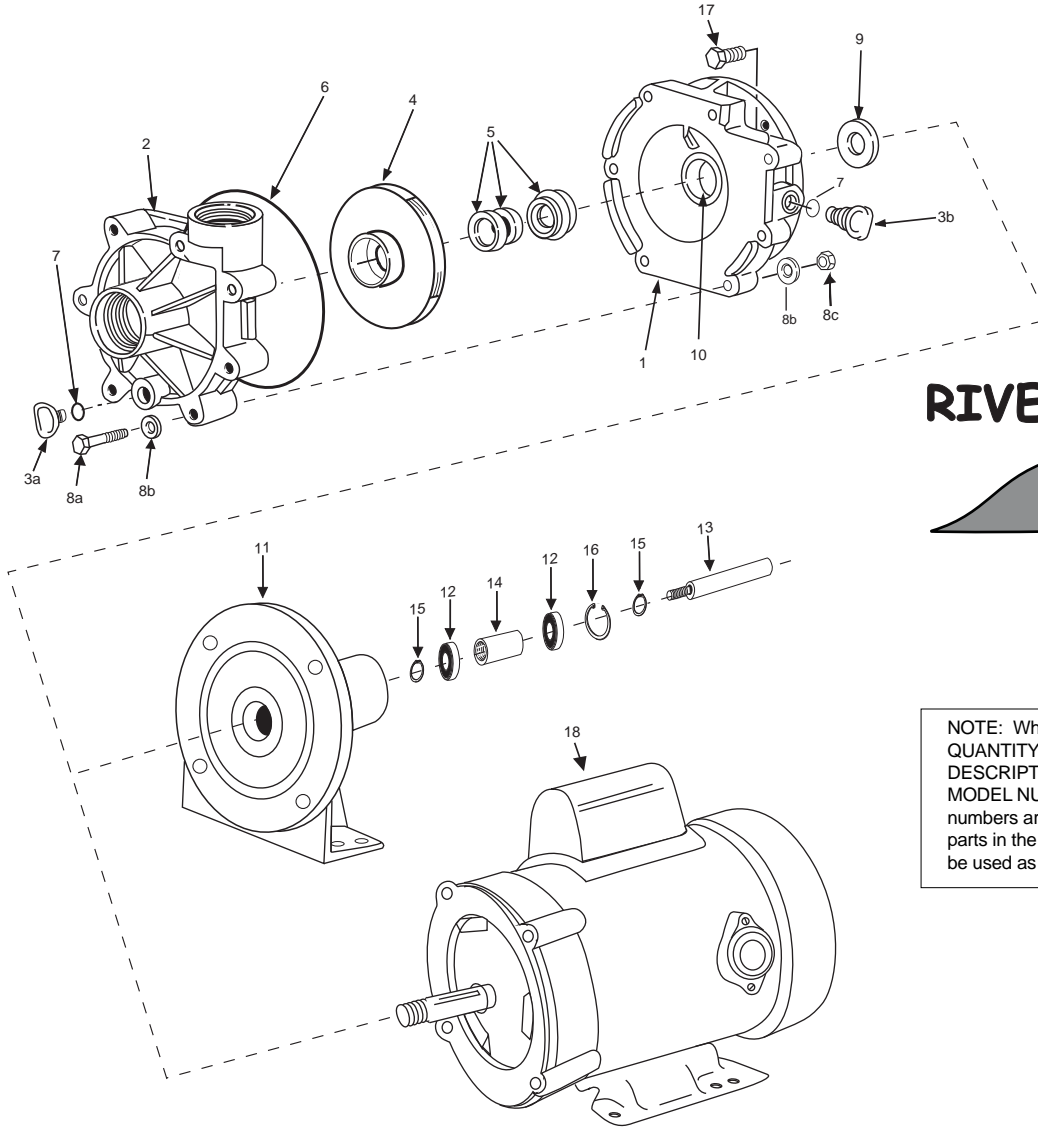



Models 9940-9750NRL, 9940-9751NRL and 9940-9753NRL



RIVER BEND

INDUSTRIES

Moorhead, MN 56560
 218-236-1818
 800-365-3070
www.riverbendind.com

NOTE: When ordering parts, give QUANTITY, PART NUMBER, DESCRIPTION, and COMPLETE MODEL NUMBER. Reference numbers are used ONLY to identify parts in the drawing and are NOT to be used as order numbers.

Model 9940-9750NRL
 (Pedestal Mount)

Models 9940-9751NRL and 9940-9753NRL
 (Pump and Motor Unit)

Ref. No.	Qty. Req'd	Part No.	Description
1	1	18775	Body
2	1	13257	Housing (Volute)
3a	1	13261	Drain Plug
3b	1	13261	Water Flush Plug
4	1	13343	Impeller
5	1	14528S	Seal/Seat Assembly
6	1	13259	O-ring (Volute)
7	2	13312	O-ring (Plug)
8a	7	18316	Machine Screw
8b	14	13314	Washer
8c	7	13311	Nut
9	1	14990	Slinger
10	1	18807	Seal O-ring
11	1	15057	Pedestal Mounting Bracket
12	2	04257	Ball Bearing
13	1	15839	Shaft
14	1	15838	Spacer
15	2	04259	Internal Rtg. Ring
16	1	12582	External Rtg. Ring
17	4	13309	Capscrew

Ref. No.	Qty. Req'd	Part No.	Description
1	1	18775	Body
2	1	13257	Housing (Volute)
3a	1	13261	Drain Plug
3b	1	13261	Water Flush Plug
4	1	23438	Impeller (9940-9751NRL)
4	1	13255	Impeller (9940-9753NRL)
5	1	14528S	Seal/Seat Assembly
6	1	13259	O-ring (Volute)
7	2	13312	O-ring (Plug)
8a	7	18316	Machine Screw
8b	14	13314	Washer
8c	7	13311	Nut
9	1	14990	Slinger
10	1	18807	Seal O-ring
17	4	13309	Capscrew
18	1	13409H	Motor, 3/4 hp (9940-9751NRL)
18	1	13410H	Motor, 1-1/2 hp (9940-9753NRL)