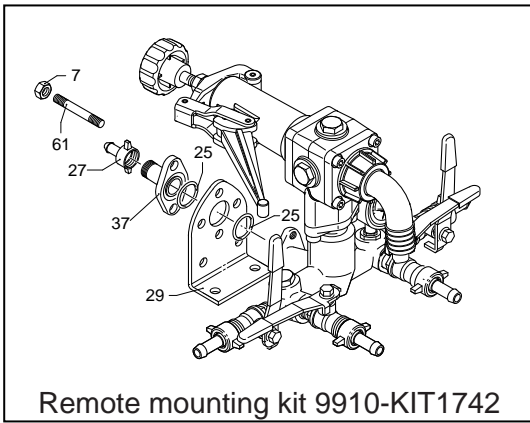
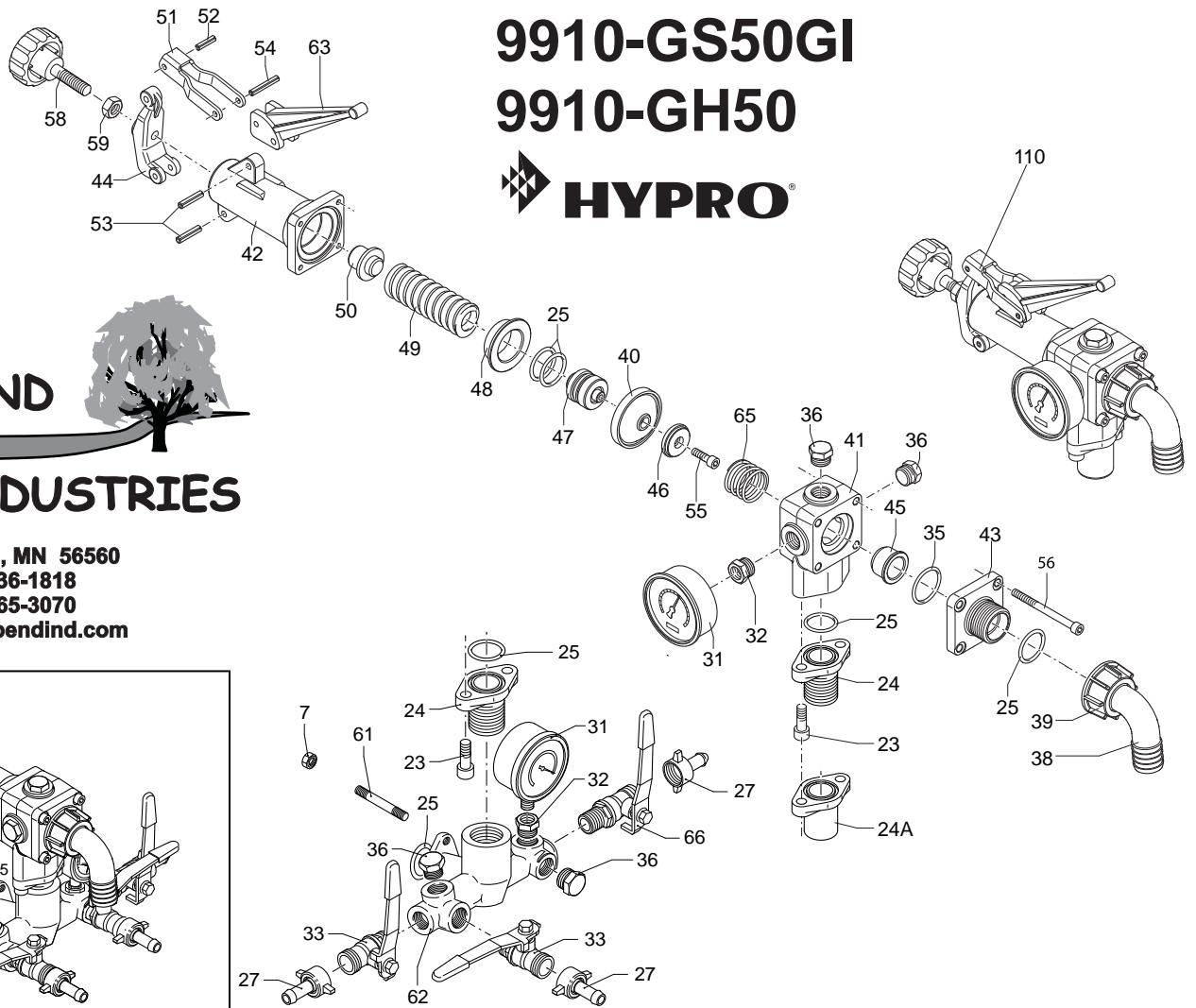


# RIVER BEND INDUSTRIES

Moorhead, MN 56560  
218-236-1818  
800-365-3070  
www.riverbendind.com

## 9910-GS50GI

## 9910-GH50



Remote mounting kit 9910-KIT1742

REF. NO.	PART NUMBER	DESCRIPTION	QTY. REQ.	REF. NO.	PART NUMBER	DESCRIPTION	QTY. REQ.
7	9910-380240	Nut	2	45*	9910-680460	Valve Seat Retainer	1
23	9910-620610	Bolt	2	46*	9910-680470	Valve Seat	1
24	9910-850711	Flange 3/4" MPT	1	47	9910-680480	Valve Piston	1
24A	9910-850711	Flange 3/4" FPT	1	48	9910-680490	Piston Valve Seat	1
25*	9910-550350	O-Ring	6	49	9910-680500	Regulating Spring	1
26	9910-680330	Flange	1	50	9910-680510	Spring Guide	1
27	9910-110131	Fitting 1/2"	3	51	9910-680520	Lever Guide	1
29	9910-320406	Bracket	1	52	9910-680530	Lever Guide Pin	1
31	2640-0002	Pressure Gauge (1500 PSI)	1	53	9910-680540	Support Pin	2
32	9910-130170	Pipe reducer	1	54	9910-680550	Roll Pin	1
33	9910-130491	Right Ball Valve	2	55*	9910-680700	Bolt	1
36	9910-130171	Plug	2	56	9910-680570	Bolt	4
35*	9910-280220	O-Ring	1	58	9910-660130	Control Knob 1	1
37	9910-550393	Port Adapter	1	59	9910-180150	Nut	1
38	9910-550370	Elbow, 90°	1	61	9910-720390	Stud	2
39	9910-550242	Barb Nut	1	62	9910-680400	Control Unit Body	1
40*	9910-390743	Diaphragm, Viton	1	63	9910-680452	Control Lever	1
41	9910-680412	Valve Body	1	65*	9910-320420	Spring	1
42	9910-680423	Spring Housing	1	66	9910-130492	1/2" Barb Ball Valve	1
43	9910-680432	Discharge Flange	1	110	9910-689060	Complete Reg Valve	1
44	9910-680442	Tension Adj. Support	1				

\* Repair Kit No. 9910-KIT1732 consists of: six Ref. 25, one Ref. 35, one Ref. 40, one Ref. 45, one Ref. 46, one Ref. 55, and one Ref. 65.