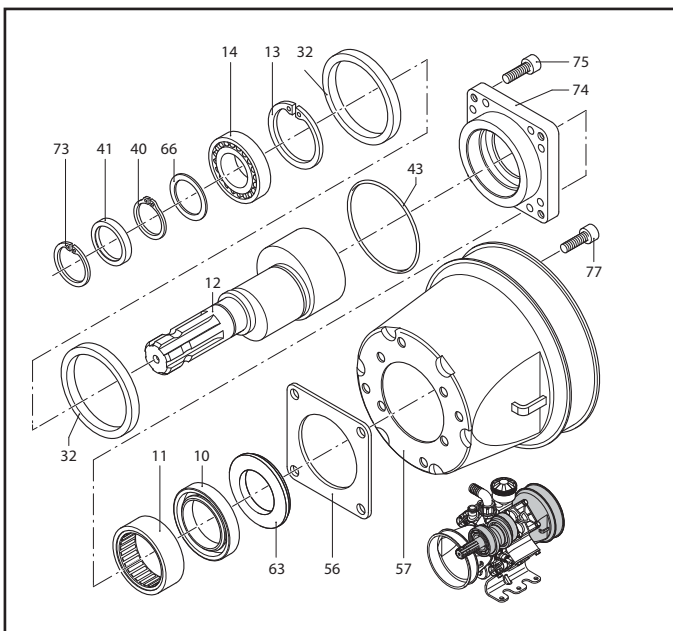
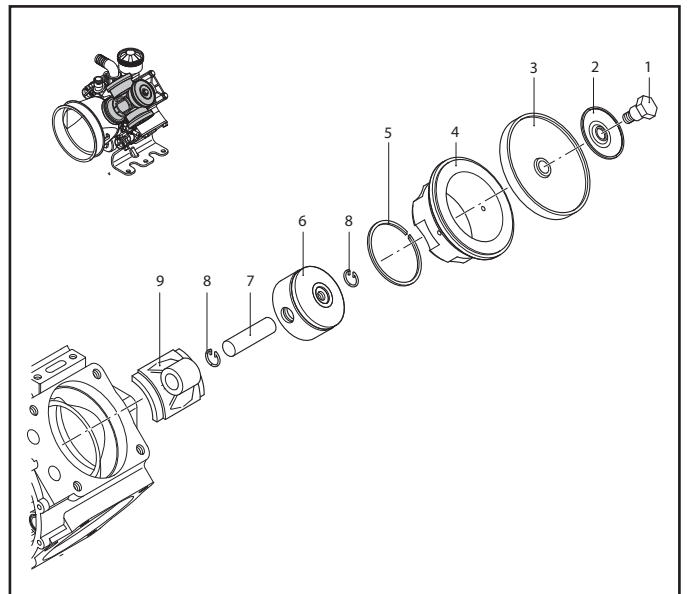
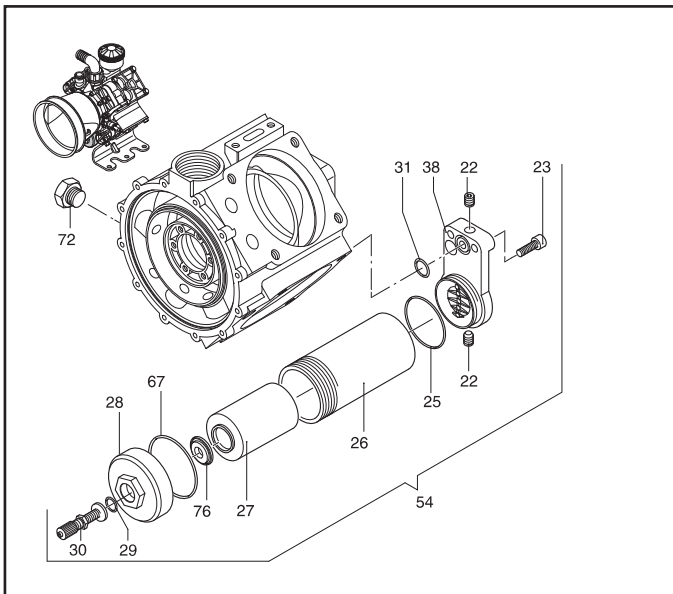
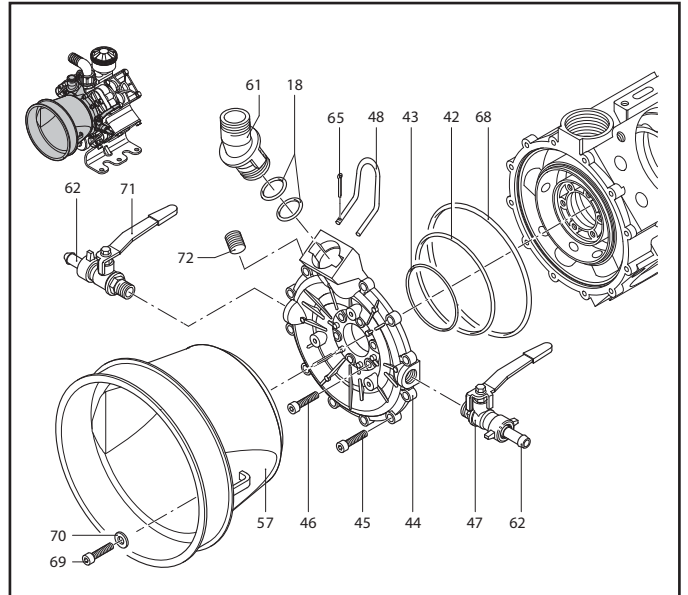
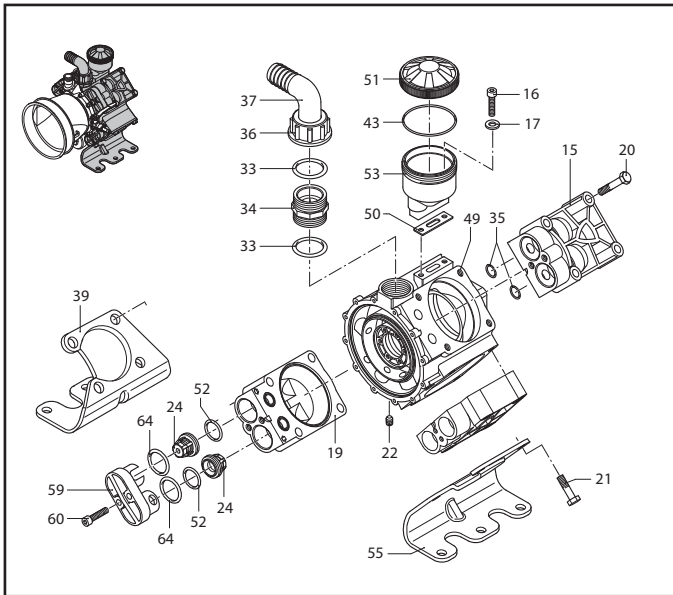


## Parts Illustrations for Model 9910-D1064



**RIVER BEND**



**INDUSTRIES**

Moorhead, MN 56560

218-236-1818

800-365-3070

[www.riverbendind.com](http://www.riverbendind.com)

## Parts List for Model 9910-D1064

REF. NO.	PART NUMBER	DESCRIPTION	QTY. REQ'D.
1	9910-580360	Retaining bolt	4
2	9910-1040180	Retaining bolt washer	4
3	9910-1040080	Diaphragm, Desmopan (Std.)	4
3A	9910-1040081	Diaphragm, Buna-N (Opt.)	4
3B	9910-104008T	Diaphragm, Buna-N with Teflon Coating (Opt.)	4
4	9910-1500080	Piston sleeve	4
5	9910-650190	Piston ring	4
6	9910-1040120	Piston	4
7	9910-1040070	Connecting pin	4
8	9910-1040270	Snap ring	8
9	9910-1800050	Connecting rod	4
10	9910-1400150	Shaft seal	1
11	9910-650200	Roller bearing	1
12	9910-1800200	Crankshaft	1
13	9910-161050	Retainer ring	1
14	9910-1800170	Bearing	2
15	9910-1040551	Head-Right (DX)	2
16	9910-680350	Bolt	2
17	9910-380241	Washer	2
18	9910-390180	O-ring	2
19	9910-1040552	Head-Left (SX)	2
20	9910-1480040	Bolt	8
21	9910-750060	Bolt	8
22	9910-1040470	Plug	3
23	9910-320360	Bolt	2
24	9910-1409050	Valve assembly	8
25	9910-540360	O-ring	1
26	9910-1800280	Pulsation damper body	1
27	9910-1800300	Diaphragm	1
28	9910-1800270	Pulsation damper cap	1
29	9910-650542	O-ring	1
30	9910-1800350	Air Valve	1
31	9910-640070	O-ring	1
32	9910-1040340	Retaining ring	2
33	9910-250310	O-ring	2
34	9910-540530	Threaded Adapter	1
35	9910-770571	O-ring	8
36	9910-540540	Hose barb nut	1
37	9910-540550	Hose barb 1-1/2"	1
38	9910-1800290	Mount	1
39	9910-1820080	Left base	1
40	9910-1040570	Retaining ring	1
41	9910-1040050	Oil seal	1
42	9910-1800341	O-ring	1
43	9910-1040060	O-ring	3
44	9910-1800150	Manifold	1
45	9910-1040370	Bolt	12
46	9910-780060	Bolt	6
47	9910-130491	Outlet ball valve w/o barb	1
48	9910-1040690	Retainer clip	1
49	9910-1820040	Pump body	1
50	9910-750040	Gasket	1
51	9910-1800060	Black cap	1
52	9910-620030	O-ring	8
53	9910-750030	Oil reservoir	1
54	9910-KIT1538	Pulsation damper assy	1
55	9910-1820070	Right base	1
56	9910-1400140	Flange	1
57	9910-1500350	Shield	2
58	9910-820670	Bolt	4
59	9910-1300190	Valve retainer	4

REF. NO.	PART NUMBER	DESCRIPTION	QTY. REQ'D.
60	9910-620610	Bolt	8
61	9910-1040760	Outlet adapter (3/4" NPT)	1
62	9910-110131	Hose barb	2
63	9910-1400110	Flange	1
64	9910-540361	O-ring	8
65	9910-1040950	Cotter pin	1
66	9910-1040850	Washer	1
67	9910-650560	Dampener o-ring	1
68	9910-1400120	O-ring	1
69	9910-1343510	Bolt	3
70	9910-881710	Washer	3
71	9910-130492	Outlet ball valve w/ barb	1
72	9910-1800240	Plug	2
73	9910-1460490	Snap ring	1
74	9910-1800210	Flange	1
75	9910-180030	Bolt	8
76	9910-1800310	Plate	1
77	9910-820670	Bolt	4

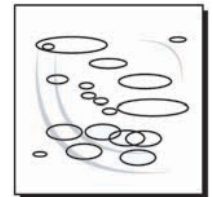
Ref. No.	Description	Tightening Torque	
		In. Lbs.	Nm
1	Bolt	262.5	29.4
16	Bolt	87.5	9.8
20	Bolt	435.5	49.0
21	Bolt	320.8	36.1
23	Bolt	171.4	19.6
45	Bolt	87.5	9.8
46	Bolt	87.5	9.8
60	Bolt	171.4	19.6
72	Plug	87.5	9.8
75	Bolt	87.5	9.8
77	Bolt	87.5	9.8



9910-KIT2480 Diaphragm Kit Desmopan	
Ref. No.	Qty.
3	4
27	1
35	8



9910-KIT1964 Valve Kit	
Ref. No.	Qty.
24	8
64	8



9910-KIT2378 O-Ring Kit	
Ref. No.	Qty.
18	2
25	1
31	1
33	2
35	8
42	1
43	3
52	8
64	8
68	1

NOTE: When ordering parts, give QUANTITY, PART NUMBER, DESCRIPTION, and COMPLETE PUMP MODEL NUMBER. Reference numbers are used ONLY to identify parts in the drawing and are NOT to be used as order numbers.