

Parts Illustrations for Models 9910-D115, 9910-D115GR34 and 9910-D135

Figure 8. Parts Illustrations for Model 9910-D115 and 9910-D135

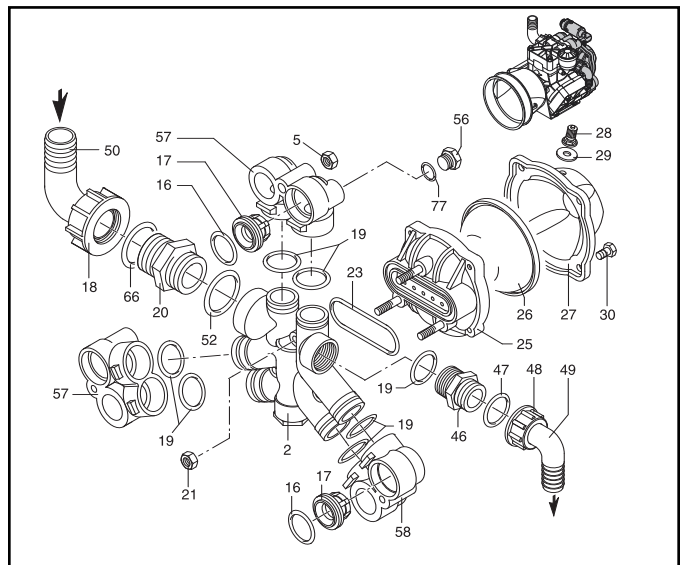
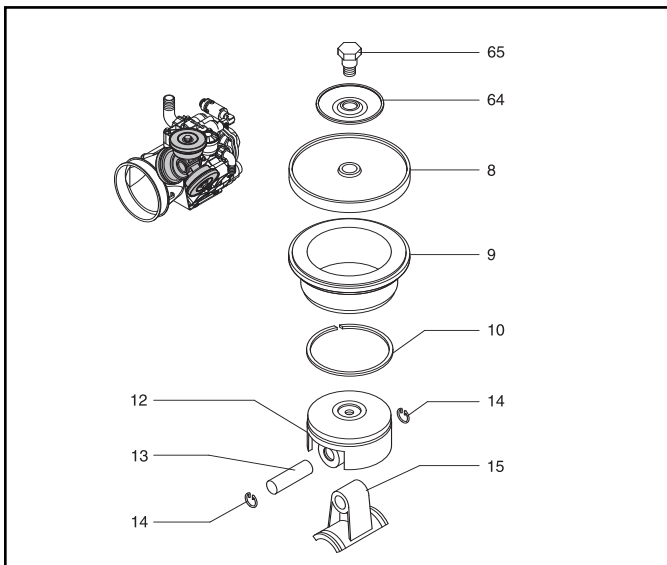
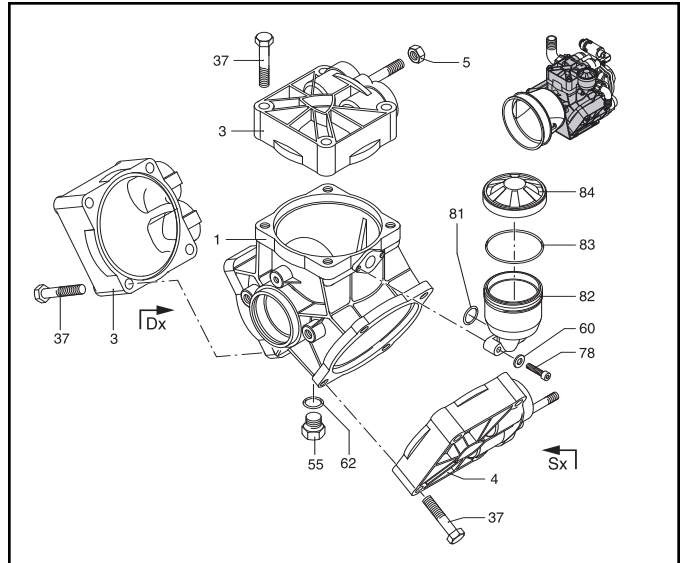
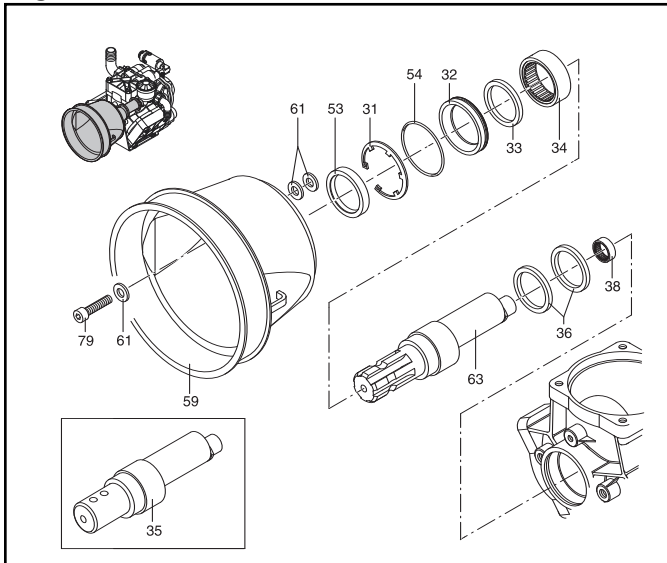
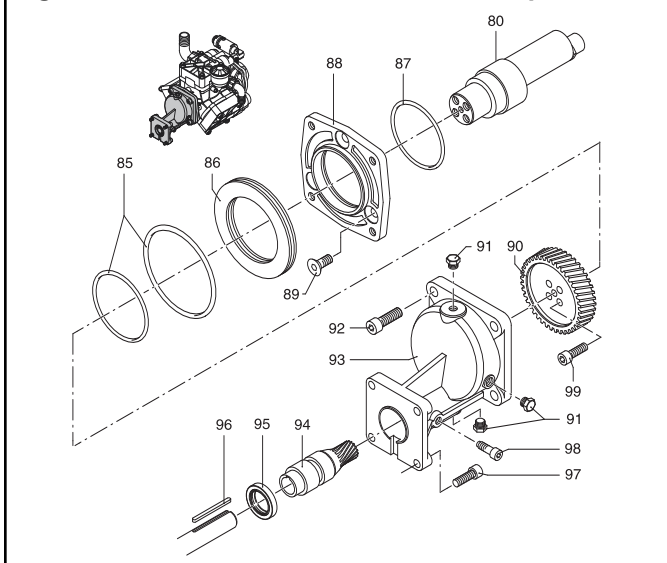


Figure 9. 9910-D115GR34 Gear Box Components



Parts List for 9910-D115GR34 Gear Box Components

REF. NO.	PART NUMBER	DESCRIPTION	QTY. REQ'D
80	9910-550175	Shaft	1
85	9910-620561	O-ring	2
86	9910-621440	O-ring retainer	1
87	9910-580230	O-ring	1
88	9910-550920	Flange	1
89	9910-550950	Bolt	3
90	9910-550940	Gear	1
91	9910-620301	Plug	3
92	9910-160671	Bolt	4
93	9910-621810	Gear housing	1
94	9910-621820	Pinion shaft	1
95	9910-480820	Seal	1
96	9910-881090	Key	1
97	9910-651000	Bolt	4
98	9910-800800	Bolt	1
99	9910-540290	Bolt	4

Parts List for Models 9910-D115, 9910-D115GR34 and 9910-D135

REF. NO.	PART NUMBER	DESCRIPTION	QTY. REQ'D
1	9910-580013	Pump body with bolts	1
2	9910-580150	Manifold	1
3	9910-550101	DX Right head	2
4	9910-550102	SX Left head	1
5	9910-180152	Nut	3
8	9910-550080	Diaphragm (Buna) Optional	3
8	9910-550085	Diaphragm (Desmopan) Standard	3
9	9910-580110	Sleeve (D115)	3
9	9910-580350	Sleeve (D135)	3
10	9910-500260	Piston ring	3
12	9910-580120	Piston	3
13	9910-380300	Pin	3
14	9910-380080	Pin ring	6
15	9910-580140	Connecting rod	3
16	9910-320030	O-ring	6
17	9910-759051	Complete valve	6
18	9910-540541	Ring nut	1
19	9910-390291	O-ring	7
20	9910-540530	Threaded adapter	1
21	9910-390271	Nut	3
23	9910-580050	Gasket	1
25	9910-580180	Accumulator manifold	1
26	9910-550190	Accumulator diaphragm	1
27	9910-559204	Accumulator head	1
28	9910-550300	Air valve	1
29	9910-650542	O-ring	1
30	9910-550680	Bolt	4
31	9910-200391	Retainer ring	1
32	9910-550470	Gasket retainer	1
33	9910-550070	Spacer ring	1
34	9910-550060	Roller bearing	1
35	9910-550170	Shaft (D115)	1
36	9910-580470	Connecting rod ring	2
37	9910-551040	Bolt	12
38	9910-550310	Roller bushing	1
46	9910-550340	Threaded adapter	1
47	9910-550350	O-ring	1
48	9910-550242	Ring nut	1
49	9910-550370	Elbow 1"	1
50	9910-540550	Elbow 1-1/2"	1
52	9910-250310	O-ring	1
53	9910-550491	Seal ring	1
54	9910-650920	O-ring	1
55	2406-0023	Oil drain plug	1
56	9910-330173	Plug	1
57	9910-589200	DX Right valve retainer w/plug/o-ring	2
58	9910-580072	SX Left valve retainer	1
59	9910-1500350	Shield	1
60	9910-550332	Washer	2
61	9910-320621	Washer	5
62	9910-740290	O-ring	1
63	9910-580330	Shaft (D135)	1
64	9910-580370	Plate	3
65	9910-580360	Diaphragm bolt	3
66	9910-250310	O-ring	1
69	9910-200233	Washer	2
77	9910-180101	O-ring	1
78	9910-850851	Bolt	2
79	9910-620472	Bolt	3
81	9910-390180	O-ring	1
82	9910-1040310	Oil sight glass	1
83	9910-650920	O-ring	1
84	9910-1040322	Black oil tank cap	1

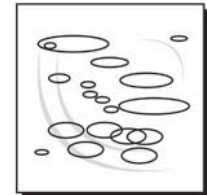
Ref. No.	Description	Tightening Torque	
		In. Lbs.	Nm
5	Nut	350.0	39.2
21	Nut	171.4	19.6
30	Bolt	171.4	19.6
55	Plug	171.4	19.6
65	Diaphragm Bolt	262.5	29.4
78	Bolt	87.5	9.8
79	Bolt	350.0	39.2



9910-KIT1721 Diaphragm Kit Desmopan	
REF. NO.	QTY.
8	3
16	6
26	1

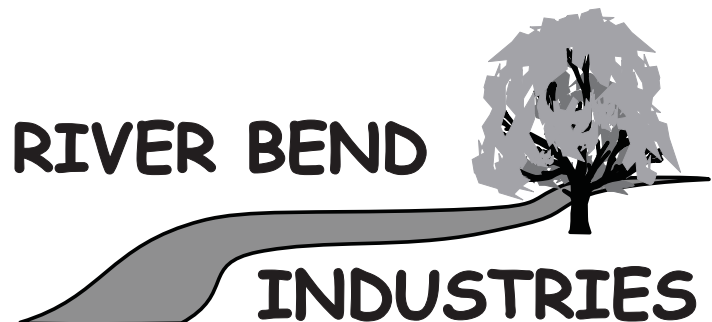


9910-KIT2370 Valve Kit	
REF. NO.	QTY.
16	6
17	6



9910-KIT2026 O-Ring Kit	
REF. NO.	QTY.
16	6
19	7
29	1
47	1
52	1
54	1
62	1
66	1
81	1
83	1

NOTE: When ordering parts, give QUANTITY, PART NUMBER, DESCRIPTION, and COMPLETE PUMP MODEL NUMBER. Reference numbers are used ONLY to identify parts in the drawing and are NOT to be used as order numbers.



Moorhead, MN 56560
218-236-1818
800-365-3070
www.riverbendind.com

Torques for D115GR3/4 Gearbox Components

Ref. No.	Description	Tightening Torque	
		In. Lbs.	Nm
89	Bolt	171.4	19.6
91	Plug	87.5	9.8
92	Bolt	218.7	24.5
97	Bolt	218.7	24.5
98	Bolt	87.5	9.8
99	Bolt	218.7	24.5