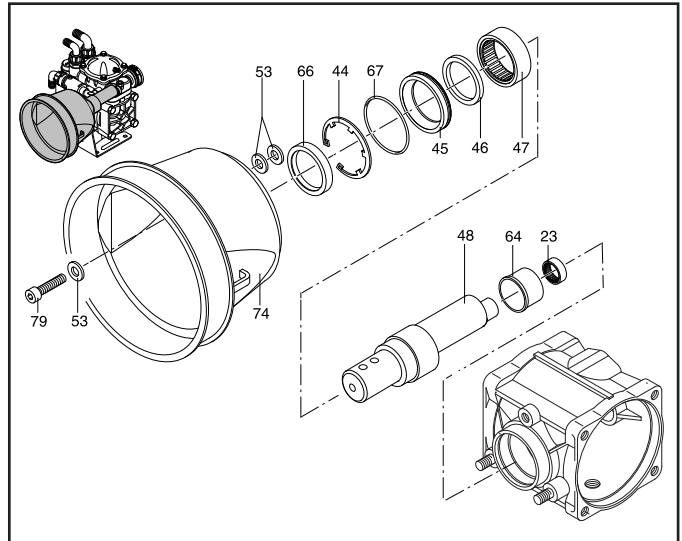
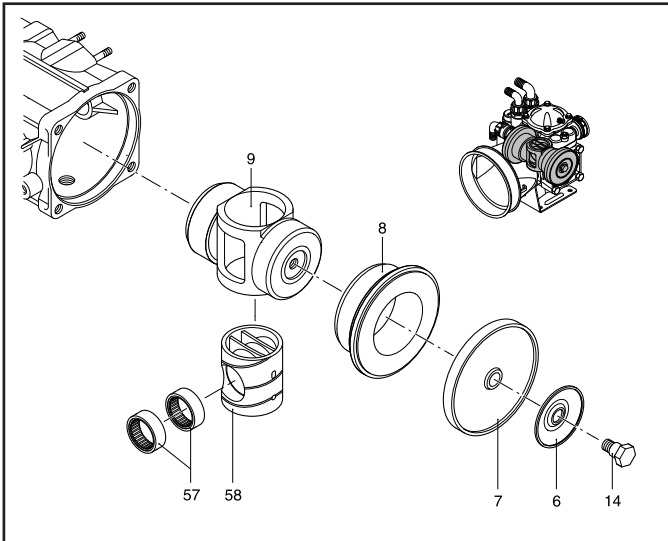
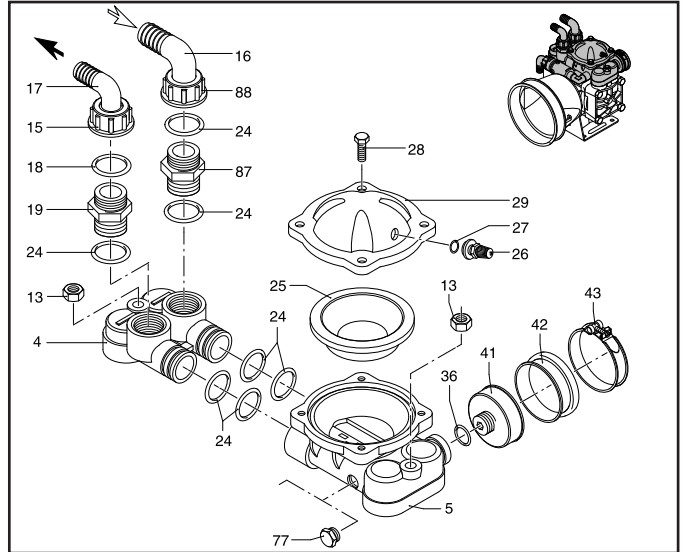
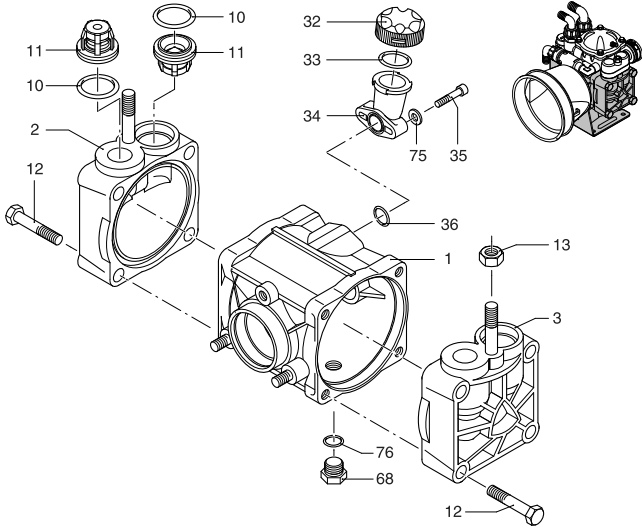
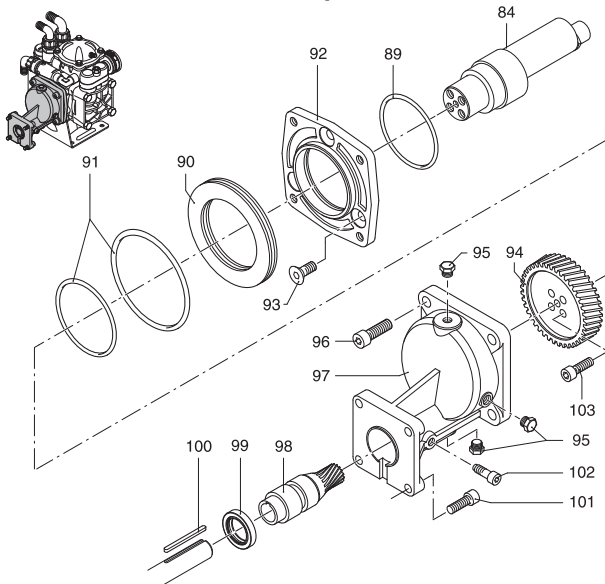


## Parts Illustrations for Models 9910-D70 and 9910-D70GR



### 9910-D70GR Gear Box Components



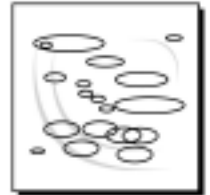
### Parts List for 9910-D70GR Gear Box Components

REF. NO.	PART NUMBER	DESCRIPTION	QTY. REQ'D
84	9910-550175	Shaft	1
89	9910-580230	O-ring	1
90	9910-621440	O-ring retainer	1
91	9910-620561	O-ring	2
92	9910-550920	Flange	1
93	9910-550950	Bolt	3
94	9910-550940	Gear	1
95	9910-620301	Plug	3
96	9910-160671	Bolt	4
97	9910-621810	Gear housing	1
98	9910-621820	Pinion shaft	1
99	9910-480820	Seal	1
100	9910-881090	Key	1
101	9910-651000	Bolt	4
102	9910-800800	Bolt	1
103	9910-540290	Bolt	4

## Parts List for Models 9910-D70 and 9910-D70GR

REF. NO.	PART NUMBER	DESCRIPTION	QTY. REQ'D
1	9910-550011	Pump Body with bolts	1
2	9910-550101	Right head DX	1
3	9910-550102	Left head SX	1
4	9910-550150	Manifold	1
5	9910-559200	Accumulator manifold	1
6	9910-580370	Plate	2
7	9910-550080	Diaphragm (Buna) Optional	2
7a	9910-550085	Diaphragm (Desmopan) Standard	2
8	9910-550110	Sleeve	2
9	9910-550120	Piston	1
10	9910-320030	O-ring	4
11	9910-759051	Complete valve assembly	4
12	9910-551040	Bolt	8
13	9910-180152	Nut	4
14	9910-580360	Diaphragm bolt	2
15	9910-550880	Ring nut	1
16	9910-580040	Elbow 1-1/4"	1
17	9910-550370	Elbow 1"	1
18	9910-550350	O-ring	1
19	9910-550340	Threaded adapter	1
23	9910-550310	Roller bearing	1
24	9910-390290	O-ring	7
25	9910-550190	Accumulator diaphragm	1
26	9910-550300	Air valve	1
27	9910-650542	O-ring	1
28	9910-550680	Bolt	4
29	9910-559204	Upper air chamber	1
32	9910-550057	Sight glass cap	1
33	9910-550040	O-ring	1
34	9910-550030	Oil sight glass	2
36	9910-180101	O-ring	2
41	9910-650660	Diaphragm holder	1
42	9910-650670	Diaphragm	1
43	9910-650690	Clamp	1
44	9910-200391	Retainer ring	1
45	9910-550470	Seal ring	1
46	9910-550070	Spacer ring	1
47	9910-550060	Roller bushing	1
48	9910-550170	Shaft	1
52	9910-200233	Washer	2
53	9910-320621	Washer	5
57	9910-550280	Bearing	2
58	9910-550140	Cylinder	1
64	9910-550160	Spacer	1
66	9910-550491	Seal ring	1
67	9910-650920	O-ring	1
68	2406-0023	Oil drain plug	1
74	9910-1500350	Shield	1
75	9910-550332	Washer	2
76	9910-740290	O-ring	1
77	9910-330173	Plug	1
79	9910-620472	Bolt	1
87	9910-450120	Threaded adapter	1
88	9910-550870	Ring nut	1

Ref. No.	Description	Tightening Torque	
		In. Lbs.	Nm
12	Bolt	350.0	39.2
13	Nut	350.0	39.2
14	Diaphragm Bolt	262.5	29.4
28	Bolt	171.4	19.6
35	Nut	87.5	9.8
77	Plug	171.4	19.6



9910-KIT1720 Diaphragm Kit Desmopan	
REF. NO.	QTY.
7a	2
10	4
25	1

9910-KIT2364 Valve Kit	
REF. NO.	QTY.
10	4
11	4

9910-KIT2365 O-Ring Kit	
REF. NO.	QTY.
10	4
18	1
24	7
27	1
33	1
36	1
67	1
76	1

NOTE: When ordering parts, give QUANTITY, PART NUMBER, DESCRIPTION, and COMPLETE PUMP MODEL NUMBER. Reference numbers are used ONLY to identify parts in the drawing and are NOT to be used as order numbers.

### Torques for D70 Gearbox Components

Ref. No.	Description	Tightening Torque	
		In. Lbs.	Nm
93	Bolt	171.4	19.6
95	Plug	87.5	9.8
96	Bolt	218.7	24.5
101	Bolt	218.7	24.5
102	Bolt	87.5	9.8
103	Bolt	218.7	24.5

# RIVER BEND



# INDUSTRIES

Moorhead, MN 56560  
218-236-1818  
800-365-3070  
[www.riverbendind.com](http://www.riverbendind.com)