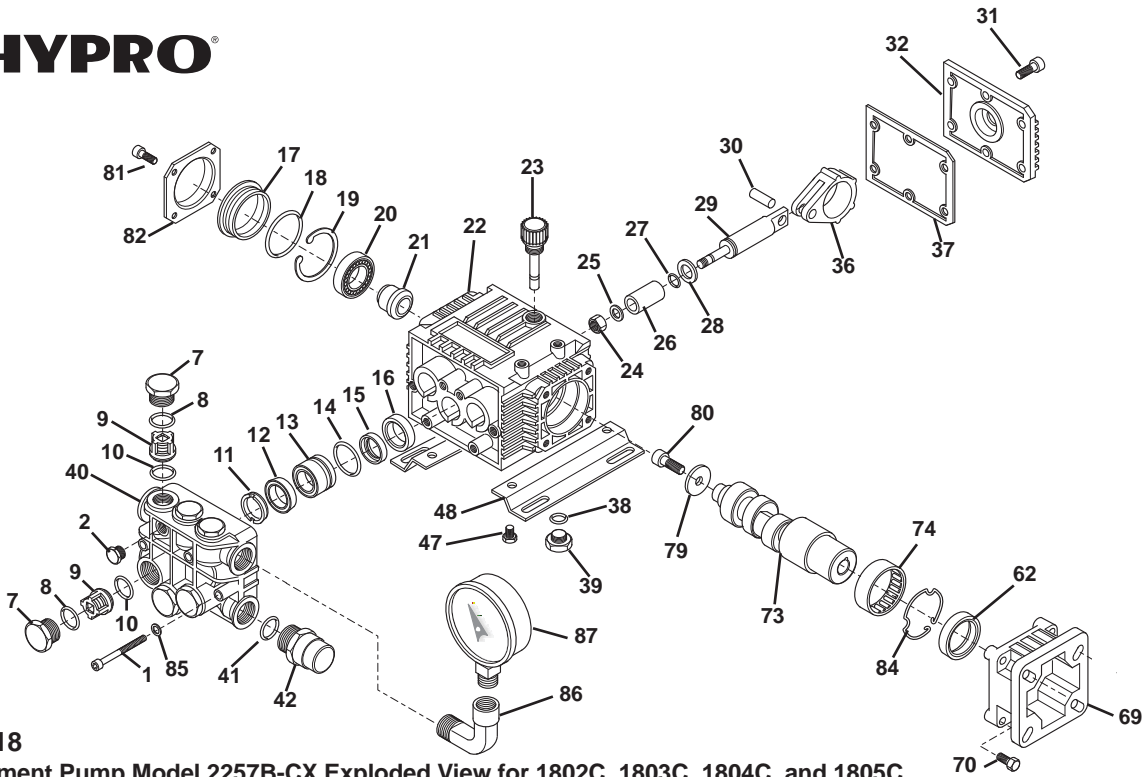


# Models 1802C, 1803C, 1804C, 1805C, 1806C and 1807C Parts List

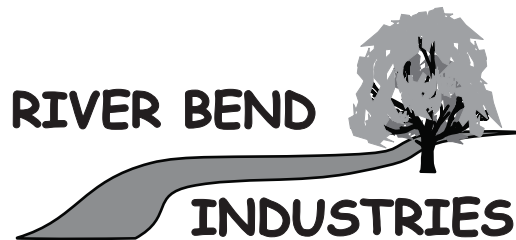


**Figure 18**  
 Replacement Pump Model 2257B-CX Exploded View for 1802C, 1803C, 1804C, and 1805C  
 Replacement Pump Model 2260B-CX Exploded View for 1806C and 1807C

Ref. No.	Part No.	Description	Qty.
1	9910-680570	Socket Head Cap Screw	6
2	9910-620301	Plug	1
7	9910-1260162	Plug	6
8 <sup>1</sup>	9910-960160	O-ring	6
9 <sup>1</sup>	3400-0133	Valve	6
10 <sup>1</sup>	9910-880830	O-ring	6
11 <sup>4</sup>	1830-0138	Support Ring	3
12 <sup>4</sup>	9910-1260220	Gasket	3
13	1830-0139	Piston Guide	3
14 <sup>4</sup>	9910-1260420	O-ring	3
15 <sup>4</sup>	9910-1260450	Gasket	3
16 <sup>3</sup>	9910-1260460	Seal	3
17	9910-1320320	Plug	1
18	9910-1320360	O-ring	1
19	9910-1260790	Retaining Ring (Internal)	1
20	9910-1320370	Bearing	1
21	9910-1320330	Bushing	1
22	9910-1320010	Pump Housing	1
23	9910-880130	Oil Plug	1
24 <sup>2</sup>	9910-1260110	Nut	3
25 <sup>2</sup>	9910-1260100	Washer	3
26 <sup>2</sup>	3500-0061	Piston	3
27 <sup>2</sup>	9910-480480	O-ring	3
28 <sup>2</sup>	9910-1260091	Spacer	3
29	9910-1260070	Guiding Piston	3
30	9910-1260080	Piston Pin	3

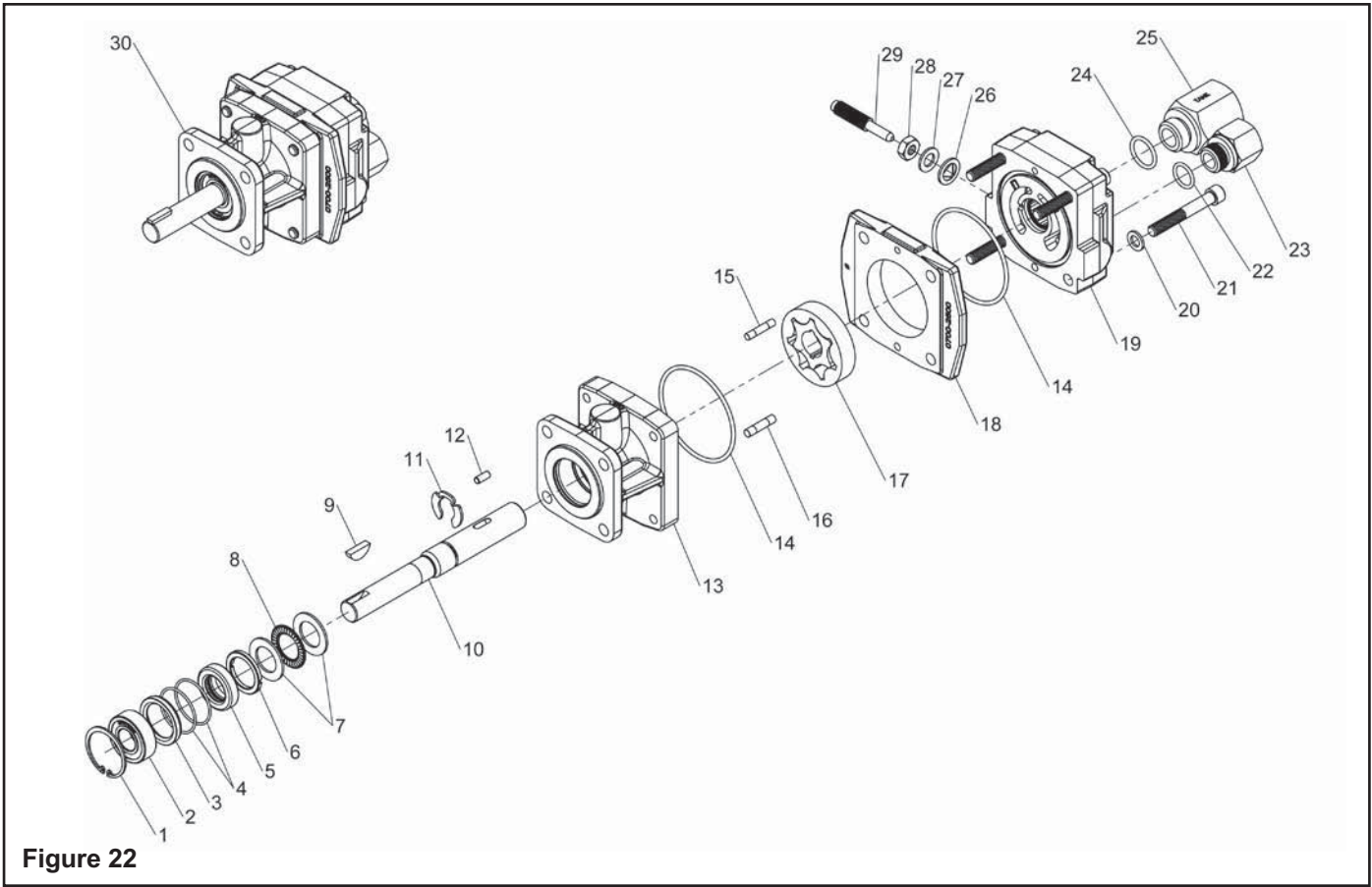
Ref. No.	Part No.	Description	Qty.
31	9910-1260760	Socket Head Cap Screw	6
32	9910-1269101	Complete Cover	1
36	9910-1260060	Connecting Rod (Aluminum)	3
36	9910-1320140	Connecting Rod (Bronze) 1806C/1807C	1
37 <sup>3</sup>	9910-1260040	Gasket	1
38	9910-740290	O-ring	2
39	9910-1980740	Plug	2
40	0203-2250B	Pump Head	1
41	9910-180101	O-ring	1
42	3312-0004	Thermal Relief Valve	1
47	9910-1260470	Screw	4
48	9910-1263890	Base	2
62 <sup>3</sup>	9910-480671	Seal	1
69	9910-1320050	Flange (Gas)	1
70	9910-1200430	Bolt	4
73	0551-2255	Hollow Shaft 5/8" Dia.	1
74	9910-1321190	Bearing	1
79	9910-780230	Washer	1
80	9910-780060	Socket Head Cap Screw	1
81	2220-0069	Socket Head Cap Screw	4
82	9910-1321420	Cover	1
84	9910-1321080	Snap Ring	1
85	9910-1381550	Washer	6
86	2400-0048	Elbow	1
87	2640-0005	Pressure Gauge	1

- <sup>1</sup> Denotes Valve Kit item. 9910-KIT1864
- <sup>2</sup> Denotes Piston Kit item. 9910-KIT2629
- <sup>3</sup> Denotes Oil Seal Kit item. 9910-KIT1860
- <sup>4</sup> Denotes Water Seal Kit item. 9910-KIT1874



Moorhead, MN 56560  
 218-236-1818  
 800-365-3070  
 www.riverbendind.com

## Model No. 2500-0087C and 2500-0088C Hydraulic Motor Parts List



**Figure 22**

Ref. No.	Part No.	Description	Qty.
1	1820-0013	Retaining Ring (Int.)	1
2 <sup>1</sup>	2000-0010	Ball Bearing	1
3	1410-0131	Front Cartridge (2010 & newer models)	1
3	1410-0073	Front Spacer (Models before 2010)	1
4 <sup>1</sup>	1720-0268	O-ring(2010 & newer models)	2
4		(Not used in Models before 2010)	
5 <sup>1</sup>	2104-0010	Mechanical Seal	1
6	1410-0130	Spacer(2010 & newer models)	1
6	1410-0074	Seal Spacer (Models before 2010)	1
7	2029-0010	Thrust BearingRace	2
8	2029-0009	Thrust Bearing	1
9	1610-0012	Key	1
10	0530-2500	Shaft (Models 1802C/1803C, 1804C/1805C)	1
10	0532-2500	Shaft (Models 1806C/1807C, 1824C/1825C, 1826C/1827C)	1
11	1810-0026	Snap Ring	1
12	1610-0031	Key (Models 1802C/1803C, 1804C/1805C)	1
12	1610-0055	Key (Models 1806C/1807C, 1824C/1825C, 1826C/1827C)	1
13	0150-2500C	Motor Body (Includes Main Bearing)	1
14 <sup>1</sup>	1720-0110	O-ring	2
15	1600-0037	Dowel Pin (Models 1802C/1803C, 1804C/1805C)	1
15	1600-0068	Dowel Pin (Models 1806C/1807C, 1824C/1825C, 1826C/1827C)	1

Ref. No.	Part No.	Description	Qty.
16	1600-0044	Dowel Pin(Models 1802C/1803C, 1804C/1805C)	1
16	1600-0052	Dowel Pin (Models 1806C/1807C, 1824C/1825C, 1826C/1827C)	1
17	3900-0022	Gerotor Assy (Models 1802C/1803C, 1804C/1805C)	1
17	3900-0024	Gerotor Assy (Models 1806C/1807C, 1824C/1825C, 1826C/1827C)	1
18	0700-2500C	Gerotor Housing (Models 1802C/1803C, 1804C/1805C)	1
18	0702-2500C1	Gerotor Housing (Models 1806C/1807C, 1824C/1825C, 1826C/1827C)	1
19	0254-2500C2	Motor Endplate (Includes Main Bearing)	1
20	2270-0039	Washer	4
21	2220-0021	CAP SCREW (Models 1802C/1803C, 1804C/1805C)	4
21	2220-0032	CAP SCREW (Models 1806C/1807C, 1824C/1825C, 1826C/1827C)	4
22 <sup>1</sup>	1720-0108	O-ring	1
23	3360-0021A	Pressure Port Adapter	1
24 <sup>1</sup>	1720-0262	O-ring	1
25	3320-0051A	Tank Port Adapter	1
26 <sup>1</sup>	1700-0047	Gasket	1
27 <sup>1</sup>	2270-0027	Washer	1
28	2250-0038	Jam Nut	1
29	3220-0029	Bypass Adjusting Screw	1
30	2500-0088C	Motor Assy (Models 1802C/1803C, 1804C/1805C)	1
30	2500-0087C	Motor Assy(Models 1806C/1807C, 1824C/1825C, 1826C/1827C)	1

<sup>1</sup> Denotes Parts Kit item. Parts Kit No. 3430-0748