

Models 1824C, 1825C, 1826C and 1827C Parts List

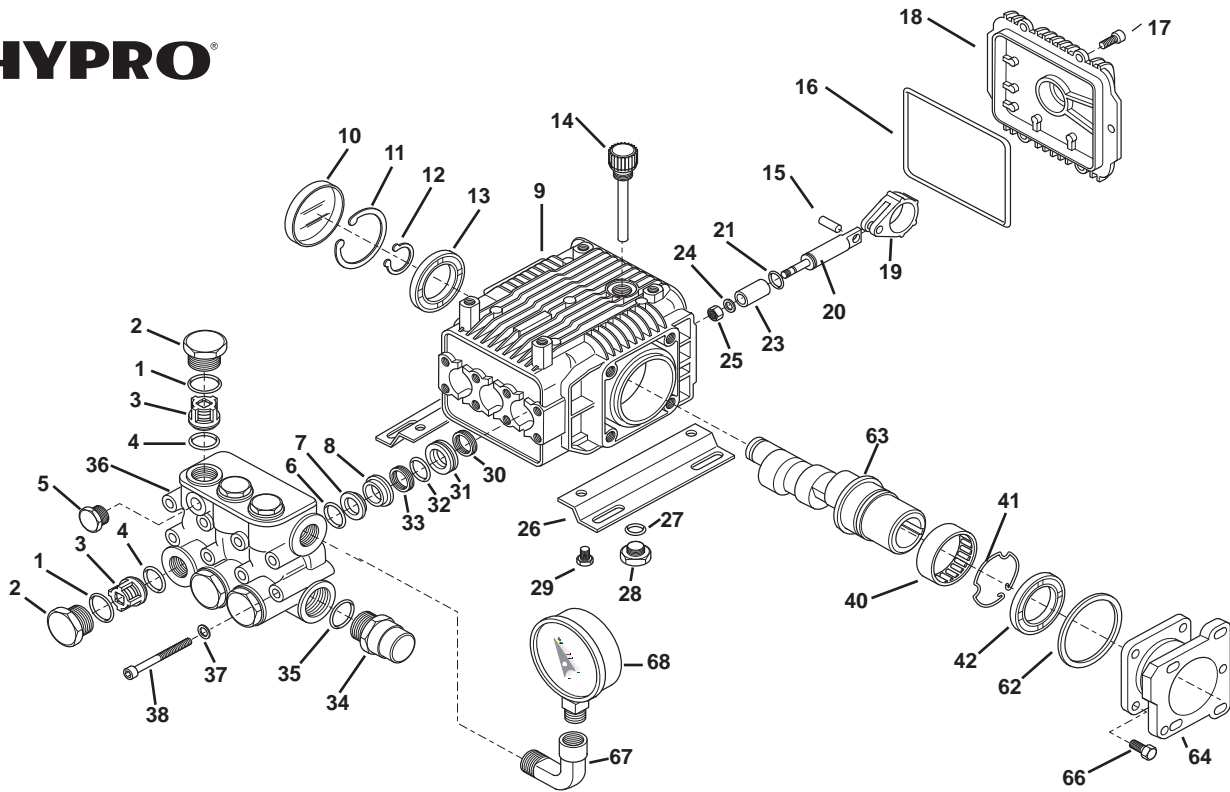
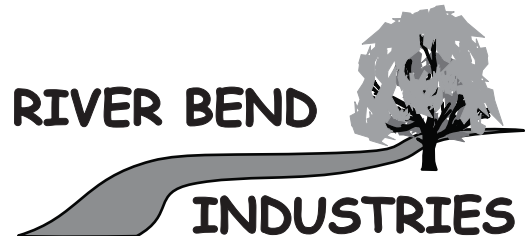


Figure 19
Replacement Pump Model 9910-XMA4G20F37 Exploded View for 1824C, 1825C, 1826C and 1827C

Ref. No.	Part No.	Description	Qty.
1	9910-960160	O-ring	6
2	9910-1260162	Plug	6
3 ¹	3400-0133	Valve	6
4 ¹	9910-880830	O-ring	6
5	9910-620301	Plug	1
6 ⁵	9910-1780140	Support Ring	3
7 ⁴	9910-1260220	Gasket	3
8	9910-1780110	Piston Guide	3
9	9910-1780010	Pump Body	1
10 ³	9910-1266740	Cap	1
11	9910-1260790	Retaining Ring (Internal)	1
12	9910-1780550	Retaining Ring (External)	1
13	9910-1780490	Bearing	1
14	9910-880130	Oil Cap	1
15	9910-1780050	Piston Pin	3
16 ³	9910-1780510	O-ring	1
17	9910-1200430	Socket Head Cap Screw	6
18	9910-1789010	Complete Cover	1
19	9910-1780040	Connecting Rod	3
20	9910-1780060	Guiding Piston	3
21	9910-480480	O-ring	3
22	9910-1260091	Spacer Disc	3
23 ²	9910-1780080	Piston	3
24	9910-1260100	Piston Washer	3

Ref. No.	Part No.	Description	Qty.
25	9910-1260110	Nut	3
26	9910-1380141	Base	2
27	9910-740290	O-ring	2
28	9910-1980740	Plug	2
29	9910-1260470	Screw	4
30 ³	9910-1260460	Seal	3
31	9910-1780120	Rear Piston Guide	3
32 ⁴	9910-770260	O-ring	3
33 ⁴	9910-1260450	Gasket	3
34	3312-0004	Thermal Relief Valve	1
35	9910-180101	O-ring	1
36	9910-1780020	Head	1
37	9910-1381550	Washer	8
38	9910-1322730	Socket Head Cap Screw	8
40	9910-1321190	Bearing	1
41	9910-1321080	Snap Ring	1
42 ³	9910-480671	Seal	1
62	9910-1780430	Bushing	1
63	9910-1780990	Hollow Shaft	1
64	9910-1780980	Gas Engine Flange	1
66	9910-180432	Bolt	4
67	2400-0048	Elbow	1
68	2640-0005	Pressure Gauge	1

- ¹ Denotes Valve Kit item. 9910-KIT1864
- ² Denotes Piston Kit item. 9910-KIT2746
- ³ Denotes Oil Seal Kit item. 9910-KIT2787
- ⁴ Denotes Water Seal Kit item. 9910-KIT2747
- ⁵ Denotes Support Ring Kit item. 9910-KIT2745



Moorhead, MN 56560
218-236-1818
800-365-3070
www.riverbendind.com

Model No. 2500-0087C and 2500-0088C Hydraulic Motor Parts List

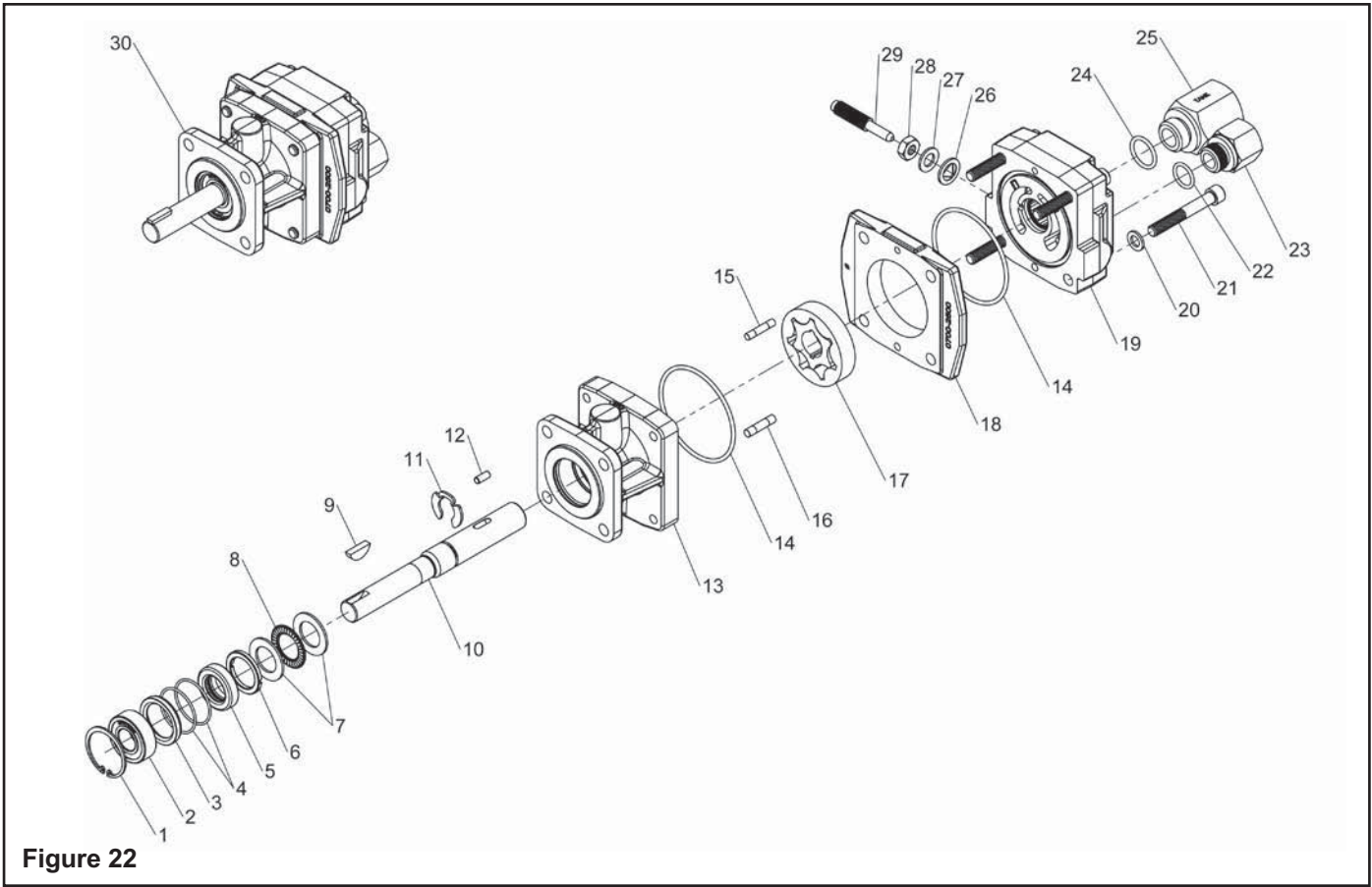


Figure 22

Ref. No.	Part No.	Description	Qty.
1	1820-0013	Retaining Ring (Int.)	1
2 ¹	2000-0010	Ball Bearing	1
3	1410-0131	Front Cartridge (2010 & newer models)	1
3	1410-0073	Front Spacer (Models before 2010)	1
4 ¹	1720-0268	O-ring(2010 & newer models)	2
4		(Not used in Models before 2010)	
5 ¹	2104-0010	Mechanical Seal	1
6	1410-0130	Spacer(2010 & newer models)	1
6	1410-0074	Seal Spacer (Models before 2010)	1
7	2029-0010	Thrust BearingRace	2
8	2029-0009	Thrust Bearing	1
9	1610-0012	Key	1
10	0530-2500	Shaft (Models 1802C/1803C, 1804C/1805C)	1
10	0532-2500	Shaft (Models 1806C/1807C, 1824C/1825C, 1826C/1827C)	1
11	1810-0026	Snap Ring	1
12	1610-0031	Key (Models 1802C/1803C, 1804C/1805C)	1
12	1610-0055	Key (Models 1806C/1807C, 1824C/1825C, 1826C/1827C)	1
13	0150-2500C	Motor Body (Includes Main Bearing)	1
14 ¹	1720-0110	O-ring	2
15	1600-0037	Dowel Pin (Models 1802C/1803C, 1804C/1805C)	1
15	1600-0068	Dowel Pin (Models 1806C/1807C, 1824C/1825C, 1826C/1827C)	1

Ref. No.	Part No.	Description	Qty.
16	1600-0044	Dowel Pin(Models 1802C/1803C, 1804C/1805C)	1
16	1600-0052	Dowel Pin (Models 1806C/1807C, 1824C/1825C, 1826C/1827C)	1
17	3900-0022	Gerotor Assy (Models 1802C/1803C, 1804C/1805C)	1
17	3900-0024	Gerotor Assy (Models 1806C/1807C, 1824C/1825C, 1826C/1827C)	1
18	0700-2500C	Gerotor Housing (Models 1802C/1803C, 1804C/1805C)	1
18	0702-2500C1	Gerotor Housing (Models 1806C/1807C, 1824C/1825C, 1826C/1827C)	1
19	0254-2500C2	Motor Endplate (Includes Main Bearing)	1
20	2270-0039	Washer	4
21	2220-0021	CAP SCREW (Models 1802C/1803C, 1804C/1805C)	4
21	2220-0032	CAP SCREW (Models 1806C/1807C, 1824C/1825C, 1826C/1827C)	4
22 ¹	1720-0108	O-ring	1
23	3360-0021A	Pressure Port Adapter	1
24 ¹	1720-0262	O-ring	1
25	3320-0051A	Tank Port Adapter	1
26 ¹	1700-0047	Gasket	1
27 ¹	2270-0027	Washer	1
28	2250-0038	Jam Nut	1
29	3220-0029	Bypass Adjusting Screw	1
30	2500-0088C	Motor Assy (Models 1802C/1803C, 1804C/1805C)	1
30	2500-0087C	Motor Assy(Models 1806C/1807C, 1824C/1825C, 1826C/1827C)	1

¹ Denotes Parts Kit item. Parts Kit No. 3430-0748