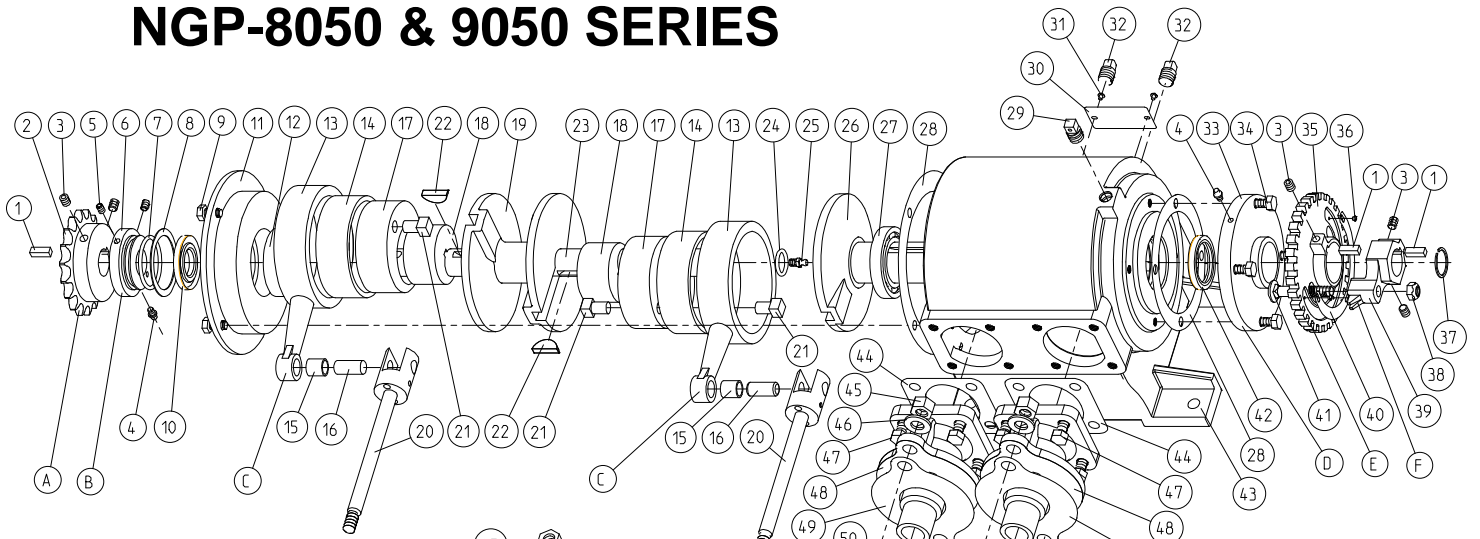
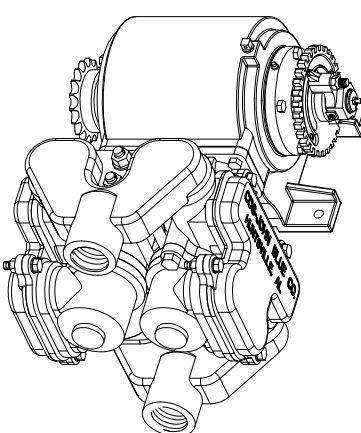
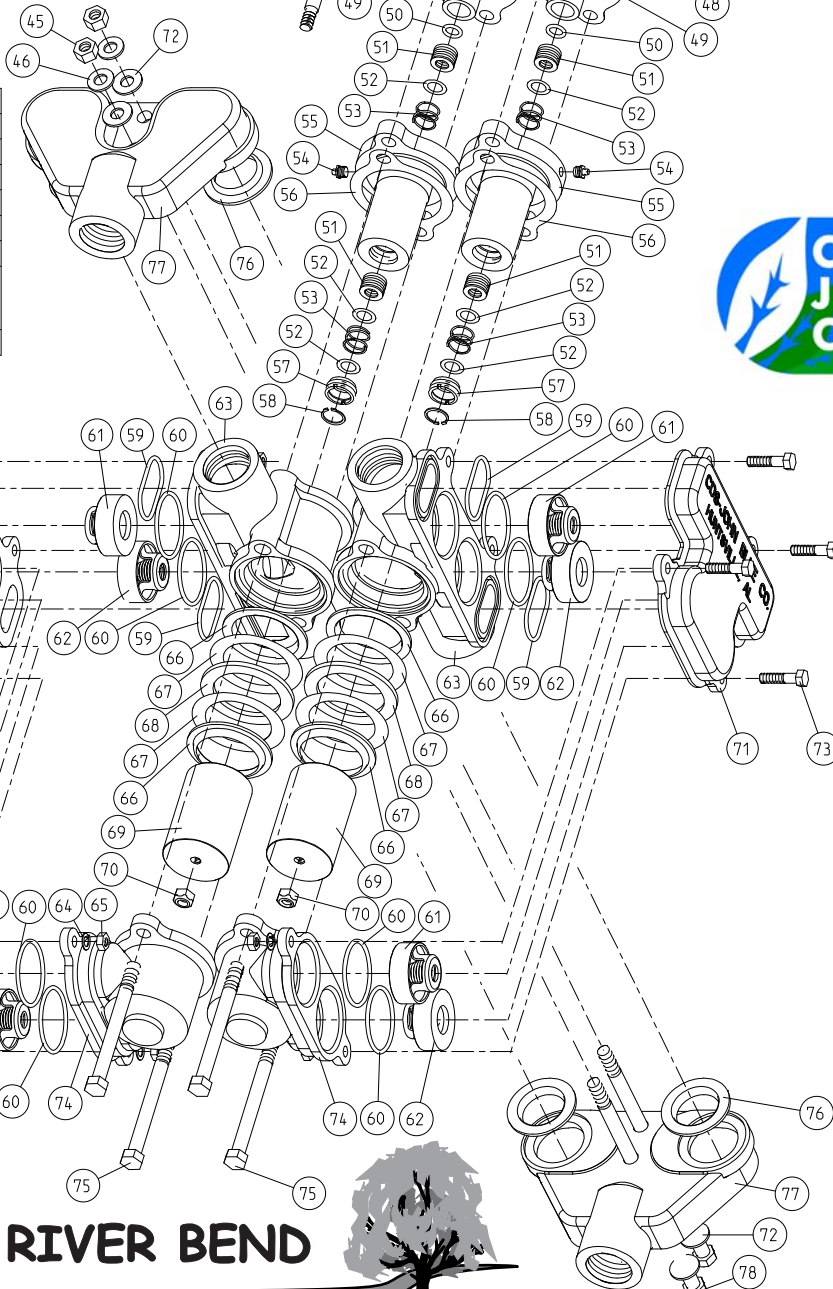



# NGP-8050 & 9050 SERIES



ITEM	DESCRIPTION	INCLUDES ITEM #'S
A	SPROCKET	2 3
B	SPACER	4 5 6 7 8
C	CONNECTING ROD	13 14 15
D	FLANGE COVER	4 33
E	SETTING HUB	3 35 36 40
F	SETTING POINTER	3 39
G	GASKET KIT	7 8 10 15 24 28 37 42 44 49 50 51 52 53 56 58 59 60 66 67 68 76
H	OPERATORS KIT	NOT SHOWN

- G — GASKET KIT
- H — OPERATORS KIT
  - MANUAL
  - WRENCH
  - SLIDE CHART
  - MOUNTING HARDWARE



**RIVER BEND**  
  
**INDUSTRIES**

Moorhead, MN 56560  
 218-236-1818  
 800-365-3070  
[www.riverbendind.com](http://www.riverbendind.com)

# PARTS LISTING – NGP-8050 & NGP-9050 SERIES

ITEM	PART DESCRIPTION	NGP-8050	NGP-9050
		PART #	PART #
1	KEY	L-1020	L-1020
2	SPROCKET RC50-18T	112661-01	112661-01
	-K NO SPROCKET	NOT USED	NOT USED
	-R SPROCKET RC40-18T	113905-01	113905-01
3	5/16 X 3/8 SET SCREW	90532	90532
4	GREASE FITTING	H-28	H-28
5	5/16 X 3/8 SET SCREW	90532	90532
6	SPROCKET SPACER	115625-01	115625-01
7	O-RING	S-316	S-316
8	THRUST WASHER	115626-01	115626-01
9	5/16 X 1HEX BOLT	90637	90637
10	OIL SEAL	115621-01	115621-01
11	COVER PLATE	115723-01	115623-01
12	BEARING	L-3019	L-3019
13	CONNECTING ROD	L-1008-A	113630-01
14	JOURNAL BEARING	L-928	113629-01
15	ROD BUSHING	113588-01	113588-01
16	ROD PIN	105895-01	105895-01
17	ECCENTRIC - OUTER	L-1013-A	113633-01
18	ECCENTRIC - INNER	L-1015	L-3017
19	TRANSFER SLEEVE	115783-01	115683-01
20	PISTON ROD ASSEMBLY	115712-91	105900-91
21	ECCENTRIC PIN	L-3004	L-3004
22	WOODRUFF KEY	108093-01	A-4333
23	CRANKSHAFT	115681-01	115681-01
24	O-RING	L-1022	L-1022
25	GREASE ZERK	115647-01	115647-01
26	SETTING SLEEVE	115718-01	115618-01
27	BEARING	L-1007-A	L-1007-A
28	GASKET	L-1006	L-3002
29	VENT PLUG	S-350	S-350
30	NAME PLATE	111958-01	111958-01
31	DRIVE SCREW	A-3557	A-3557
32	OIL PLUG	C-431-B	C-431-B
33	FLANGE COVER	115724-01	115724-01
34	5/16 X 1 HEX BOLT	90637	90637
35	SETTING HUB	115627-01	115627-01
36	SETTING SCALE SCREW	A-368	A-368
37	SNAP RING	115791-01	115791-01
38	3/8 SELF-LOCKING NUT	A-3097	A-3097
39	SETTING POINTER	115628-01	115628-01
40	SETTING SCALE	115645-01	115645-01
41	3/8 X 2 CARRIAGE BOLT	115646-01	115646-01
42	OIL SEAL	115622-01	115622-01
43	CRANKCASE	115780-01	115680-01
44	GASKET - CROSSHEAD	115711-01	115611-01
45	1/2 HEX NUT	92029	92029
	-S STAINLESS	92030	92030
46	NOT USED		
47	HEX BOLT	90637	90860
48	CROSSHEAD GUIDE	115700-01	115600-01
49	GASKET - STUFFING BOX	115610-01	115610-01
	-U FUMIGANT	104828-02	104828-02
50	O-RING	111943-01	111943-01
	-U FUMIGANT	L-1109	L-1109
51	PACKING 'V' SET	L-1109	L-1109
	-U FUMIGANT	L-1109-U	L-1109-U
52	PACKING WASHER	L-1041	L-1041
53	PACKING SPRING	L-1063	L-1063

ITEM	PART DESCRIPTION	NGP-8050	NGP-9050
		PART #	PART #
54	GREASE ZERK	H-30	H-30
55	STUFFING BOX	115790-01	115690-01
	-S STAINLESS	115790-01S	115690-01S
56	GASKET - INBOARD CYL.	115710-01	115710-01
	-U FUMIGANT	104826-02	104826-02
57	STUFFING BOX INSERT	L-1031-2	L-1031-2
	-S STAINLESS	NOT USED	NOT USED
58	PACKING - SNAP RING	L-1042	L-1042
59	O-RING	S-316	115604-01
	-S STAINLESS	104824-01	115612-01
	-U FUMIGANT	104824-01	115612-01
60	O-RING	L-3031	A-2848
	-S STAINLESS	114768-01	114870-01
	-U FUMIGANT	114768-01	114870-01
61	DISCHARGE VALVE	115707-91	115607-91
62	SUCTION VALVE	115706-91	115606-91
63	INBOARD CYLINDER	115701-02	115601-02
	-S STAINLESS	115701-02S	115601-02S
64	3/8 LOCK WASHER	93024	93024
	-S STAINLESS	93025	93025
65	3/8 HEX NUT	92024	92024
66	PLUNGER – PACKING	L-1045-V	L-1045-V
	-B PLUNGER – PACKING BUNA	L-1045-A	L-1045-A
67	PLUNGER – GASKET	L-1098	L-1098
	-U FUMIGANT	114769-01	114769-01
68	PLUNGER – WASHER	L-1044-A	L-1044-A
69	PLUNGER	103290-91	112816-91
70	PLUNGER - LOCKING NUT	L-1047	L-1047
71	VALVE COVER	115703-01	115603-01
	-S STAINLESS	115703-01S	115603-01S
72	1/2 FLAT WASHER	93013	93013
	-DR DUAL RATE [CYLINDERS]	NOT USED	NOT USED
73	3/8 X 1-1/2 HEX BOLT	90911	90911
	-S STAINLESS	90654	90654
74	OUTBOARD CYLINDER	115702-01	115602-01
	-S STAINLESS	115702-01S	115602-01S
75	1/2 HEX BOLT	90704	90705
	-S STAINLESS (2 BOLTS USED)	90693/90687	90693/90687
76	GASKET – MANIFOLD	112696-01	112696-01
	-DR DUAL RATE [CYLINDERS]	NOT USED	NOT USED
77	MANIFOLD – COMMON	115796-01	115696-01
	-S STAINLESS	115796-01S	115696-01S
	-DR DUAL RATE [CYLINDERS]	NOT USED	NOT USED
78	1/2 HEX BOLT	115793-01	115693-01
	-DR DUAL RATE [CYLINDERS]	NOT USED	NOT USED
79	SPROCKET KEY	106493-01	106493-01
A	SPROCKET ASSY. RC50-18T	106532-01	106532-01
	-K NO SPROCKET	NOT USED	NOT USED
	-R SPROCKET ASSY. RC40-18T	113907-01	113907-01
B	SPROCKET SPACER ASSY.	115624-91	115624-91
C	CONNECTING ROD ASSY.	L-1008-B	113645-91
D	FLANGE COVER ASSY.	115725-91	115725-91
E	SETTING HUB ASSY.	115629-91	115629-91
F	SETTING POINTER ASSY.	115630-91	115630-91
G	GASKET KIT	115789	115689
	-S GASKET KIT - STAINLESS	115789-S	115689-S
	-U GASKET KIT - FUMIGANT	115789-U	115689-U
H	OPERATORS KIT	115787	115787
N/S	SLIDE CHART	115698-91	115698-91
N/S	SETTING WRENCH	115631-01	115631-01