

Clutch Kit Schematics



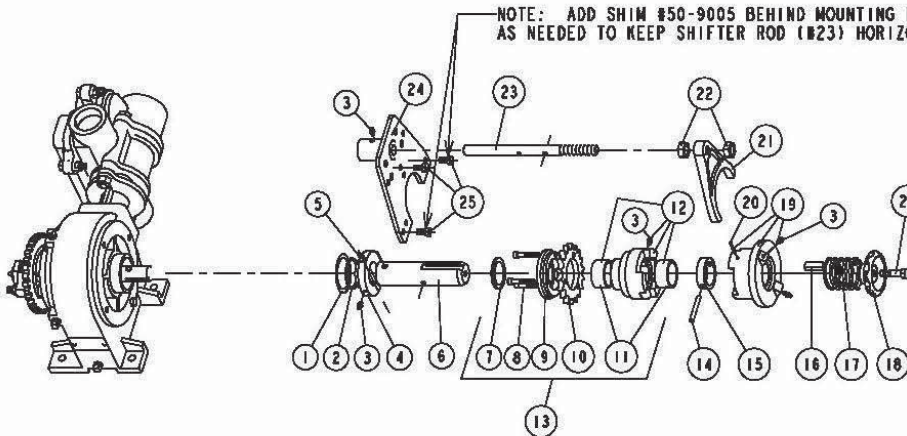
UNIVERSAL COMPONENTS: (FOR ALL KITS)



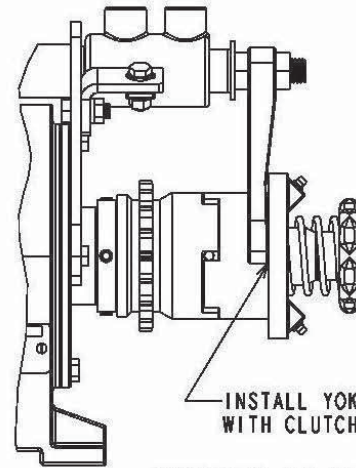
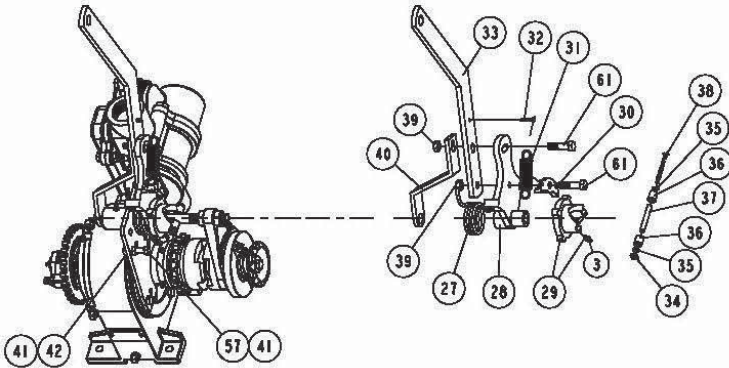
**RIVER BEND
INDUSTRIES**

Moorhead, MN 56560
218-236-1818
800-365-3070
www.riverbendind.com

NOTE: ADD SHIM #50-9005 BEHIND MOUNTING PLATE BOLTS AS NEEDED TO KEEP SHIFTER ROD (#23) HORIZONTAL



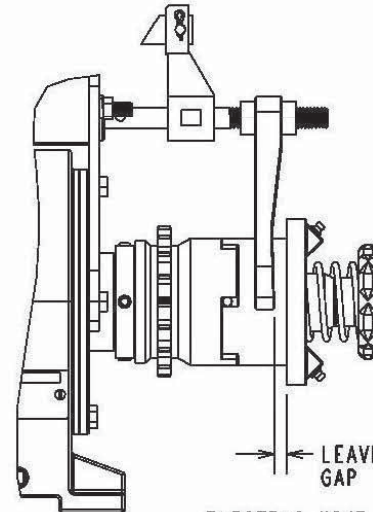
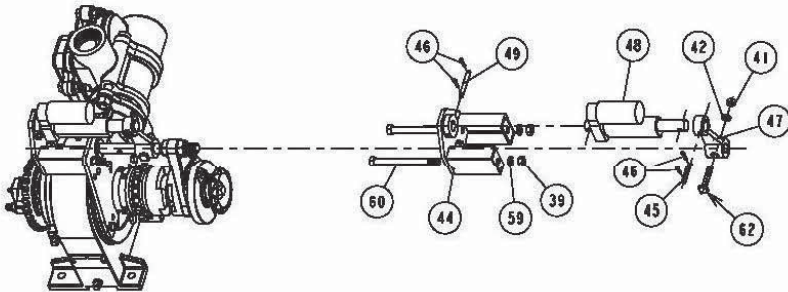
NGP-x050 MANUAL SHIFT COMPONENTS



INSTALL YOKE FLUSH WITH CLUTCH JAW

HYDRAULIC AND MANUAL YOKE SETUP - RETRACTED

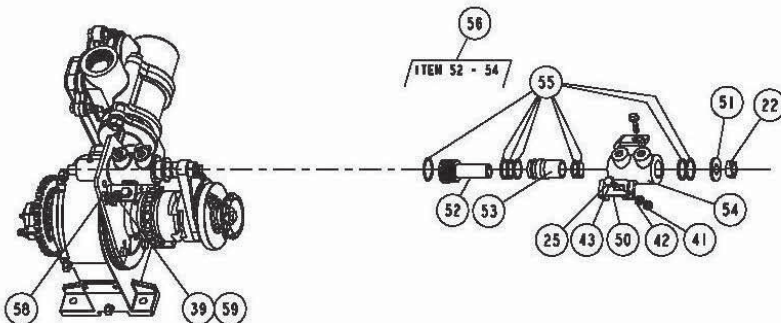
NGP-x058 ELECTRIC SHIFT COMPONENTS



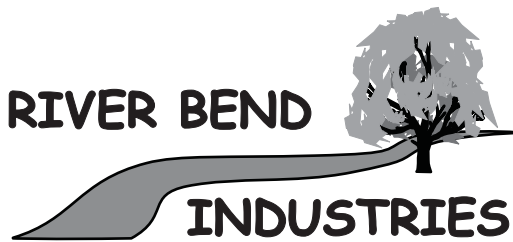
LEAVE 5/16" GAP

ELECTRIC YOKE SETUP - RETRACTED

NGP-x059 HYDRAULIC SHIFT COMPONENTS



Clutch Kit Parts List



Moorhead, MN 56560
218-236-1818
800-365-3070
www.riverbendind.com

ITEM	PART DESCRIPTION	PART #	-X050 MANUAL	-X058 ELEC.	-X059 HYD.
1	WASHER	115626-01	X	X	X
2	O-RING	S-316	X	X	X
3	GREASE FITTING	H-28	X	X	X
4	CLUTCH SPACER	115639-01	X	X	X
5	3" DOWEL PIN	115640-01	X	X	X
6	SHAFT EXTENSION	115638-01	X	X	X
7	THRUST WASHER	115651-01	X	X	X
8	1/4-20 X 1-1/4 BOLT W/NYLOC	90993	X	X	X
9	SPROCKET RETAINER	115632-01	X	X	X
10	CLUTCH SPROCKET 18T-RC50	115637-01	X	X	X
11	CLUTCH BEARING	115650-01	X	X	X
12	CLUTCH CARRIER ASSY	115663-91	X	X	X
13	SPROCKET CARRIER ASSEMBLY	115664-91	X	X	X
14	2" DOWELL PIN	115194-01	X	X	X
15	CLUTCH COLLAR	115641-01	X	X	X
16	3/8" SQ KEY	115642-01	X	X	X
17	CLUTCH SPRING	108907-01	X	X	X
18	HAND WHEEL	A-50	X	X	X
19	CLUTCH JAW ASSEMBLY	115662-91	X	X	X
20	KEY RETAINER – ROLL PIN	S-4248	X	X	X
21	CLUTCH YOKE	115635-01	X	X	X
22	5/8" JAM NUT	92037	X	X	X
23	SHIFTER ROD	115643-01	X	X	X
24	CLUTCH MOUNTING PLATE	115993-91	X	X	X
25	5/16 X 1 HEX BOLT	90637	X	X	X
26	3/8 X 1-1/4 HEX BOLT	90653	X	X	X
27	TORSION SPRING	114165-01	X	X	X
28	BRACKET - THROW OUT	L-3007	X		
29	CAM - THROW OUT	A-2757-A	X		
30	PAWL - THROW OUT	A-2758-A	X		
31	SPRING – THROW OUT	F-48	X		
32	COTTER PIN 5/32" X 1"	94010	X		
33	LEVER - THROW OUT	L-3064	X		
34	# 10 SQ NUT	92014	X		
35	WASHER	A-697	X		
36	CAM ROLLER	A-2762	X		
37	ROLL PIN	A-2763	X		
38	2-1/4 RD HEAD SCREW	90953	X		
39	3/8 NUT	92024	X		
40	HANDLE SUPPORT	115661-01	X		
41	5/16 – 18 HEX NUT	92020	X	X	X
42	5/16 LOCK WASHER	93023	X	X	X
43	5/16 FLAT WASHER	93010			X
44	MOUNT - ACTUATOR	115995-91		X	
45	1-3/4" PIN	114002-01		X	
46	COTTER PIN 1/16 X 1/2"	94002		X	
47	BRACKET - SHIFTER	114001-01		X	
48	ELECTRIC ACTUATOR	114003-01		X	
49	2" PIN	114594-01		X	
50	BRACKET - CYLINDER	115998-01			X
51	5/8 SAE FLAT WASHER	93016			X
52	PISTON	105463-01			X
53	CYLINDER	105449-01			X
54	HOUSING	105447-01			X
55	HYD CYLINDER REPAIR KIT	106531			KIT
56	HYD CYLINDER ASSEMBLY	113557-91			KIT
57	5/16 X 1-1/2 HEX BOLT	115158-01	X		
58	3/8 X 1 HEX BOLT	90860			X
59	3/8 LOCK WASHER	93024		X	X
60	3/8 X 4-1/2 HEX BOLT	90667		X	
61	3/8 X 1-1/2 HEX BOLT	90655	X		
62	5/16 X 1-3/4 SQ. HD BOLT	90554		X	
N/S	PULLEY	A-2765	X		
N/S	ROPE – 12'	A-2766	X		