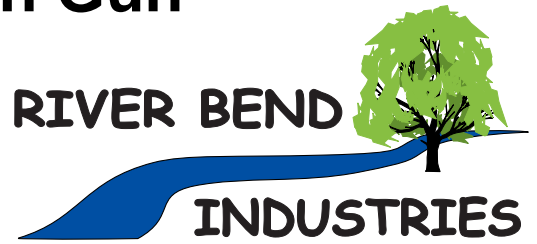
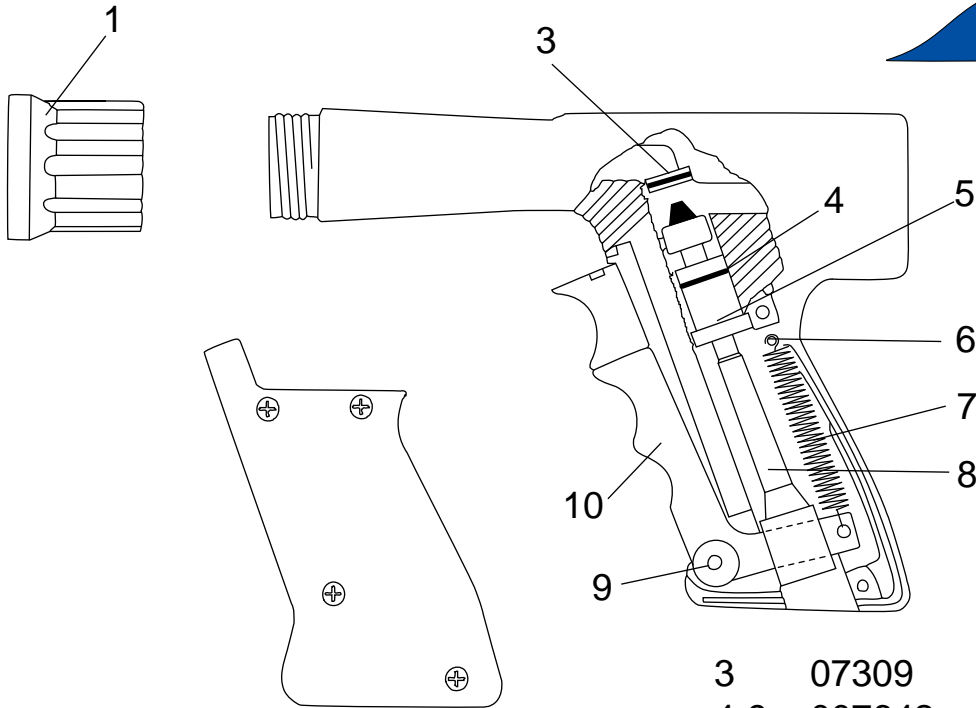


Lesco / Chemlawn Gun



2421 16th Ave S
 Moorhead, MN 56560
 218-236-1818
 800-365-3070
www.riverbendind.com



- | | | |
|-----|--------|------------------------|
| 3 | 07309 | Kit, Seat and Oring |
| 4-9 | 007642 | Kit, Internal Assembly |
| 10 | 07694 | Trigger Assembly |

Kit: Internal Assembly with Spring

Kit: Seat



- | | |
|--------|-------------|
| Tips | |
| Blue | 1-2 GPM |
| Yellow | 1.5-2.5 GPM |
| Green | 3-4 GPM |
| White | 4-5 GPM |