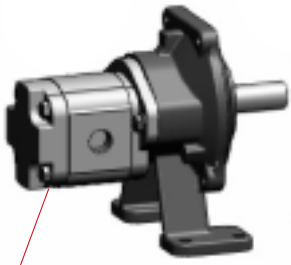
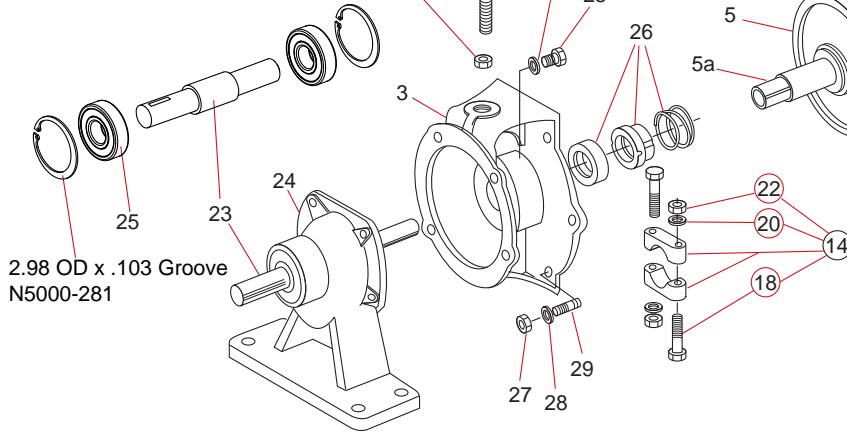


RIVER BEND INDUSTRIES

Moorhead, MN 56560
218-236-1818
800-365-3070
www.riverbendind.com



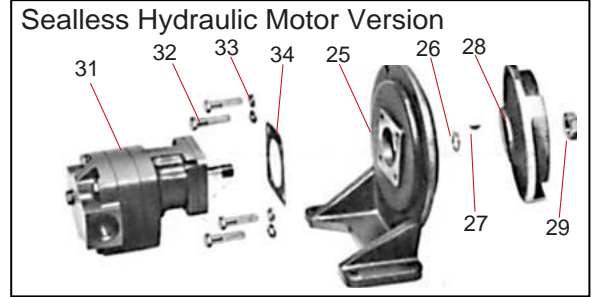
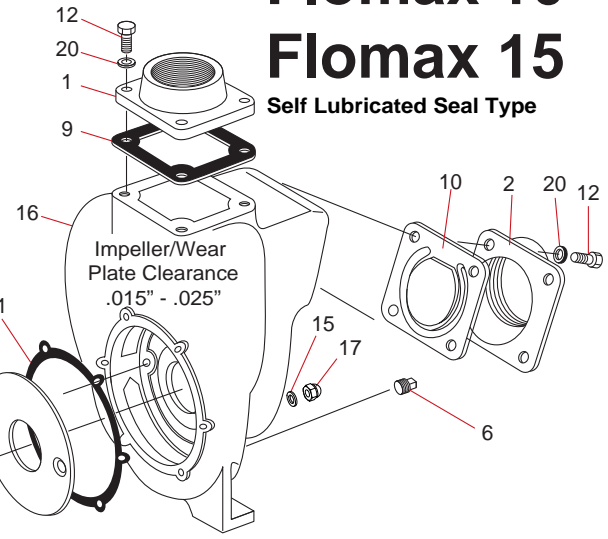
30
Hydraulic Motor
Shaft Seal Version



2.98 OD x .103 Groove
N5000-281

Flomax 10 Flomax 15

Self Lubricated Seal Type



MP Pumps Replacement Parts Flomax 10, Flomax 15

Ref No.	Qty	Description	Cast Flowmax 10 2"	Cast Flowmax 15 3"	Bronze Flowmax 10 2"	Bronze Flowmax 15 3"	Ref No.	Qty	Description	Cast Flowmax 10 2"	Cast Flowmax 15 3"	Bronze Flowmax 10 2"	Bronze Flowmax 15 3"
1	1	Flange, Outlet 2"	22372		22371		10a	1	Flapper Rubber Only BUNA	22359	22359	22359	22359
	1	Flange, Outlet 3"		22471		22470		1	Flapper Rubber Only EPDM	26099	26099	26099	26099
2	1	Flange, Inlet 2"	22369		22368		11	1	Gasket	22240	22240	22240	22240
	1	Flange, Inlet 3"		22468		22467	12	1	Bolt				
3	1	Adapter, Gas Engine and Hydraulic Drive	22348	22348	22347	22347	13	1	Lift Eye	22460	22460		
	1	Adapter, Gas Engine 8 HP Tecumseh ONLY	26245	26245	26280	26280	14	1	Clamp Assembly 1" & 1-1/8"	23039	23039	23039	23039
	1	Adapter, Electric Motor NEMA, 184T	22433	22433	22432	22432	15	2	Annular Gasket	21271	21271	21271	21271
5	1	Impeller & Shaft 6" OD 1" Shaft Bore	23038	23038	23037	23037	16	2	Acorn Nut	21263	21263	26053	26053
	1	Impeller & Shaft 5.75" OD Optional Impeller 1" Shaft	24721	24721	Call	Call	17	1	Housing	22351	22351	22350	22350
	1	Impeller & Shaft 5.5" OD Optional Impeller 1" Shaft	24792	24792	Call	Call	18	2	Bolt	21269	21269	21269	21269
	1	Impeller & Shaft 5.75" OD Optional Impeller 1-1/8" Shaft	22499	22499	23385	23385	19	2	Flat Head Scr 3/8" x 1.25" SS	21262	21262	21262	21262
	1	Impeller & Shaft 6" OD Optional Impeller 1-1/8" Shaft	23387	23387	Impeller Only 22398	Impeller Only 22398	20	10	Lock Washer, 3/8" SS	21266	21266	21266	21266
5a	1	Shaft Only, SS 1-1/8" Electric	22435	22435	22435	22435	22	2	Nut, 3/8" SS	21268	21268	21268	21268
5b	1	Jam Nut SS 1" 1-14	22417	22417	22417	22417	23	1	Shaft	26162	26162		
6	1	Drain Plug, 1/4"	21267	21267	21267	21267	24	1	Pedestal Assembly	26164	26164		
7	1	Nut					25	2	Bearing	25474	25474		
8	1	Wear Plate	22244	22244	22243	22243	26	1	Seal, Viton	22361	22361	22361	22361
9	1	Gasket, Outlet BUNA	22358	22358	22358	22358		1	Seal Severe Duty Optional	26461	26461	22461	22461
	1	Gasket, Outlet EPDM	26101	26101	26101	26101	27	6	Nut, 3/8" SS	21268	21268	21268	21268
10	1	Flapper Assembly BUNA	23040	23040	23040	23040	28	6	Lock Washer, 3/8" SS	21266	21266	21266	21266
	1	Flapper Assembly EPDM	26100	26100	26100	26100	29	6	Stud, 3/8" SS	21260	21260	21260	21260
							30	1	Hydraulic Pedestal Motor Assembly	28551	28551		
									Hydraulic Motor Only	28544	28544		
									Hydraulic Pedestal Only	25772	25772		
							31	1	Hydraulic Motor, Sealless	25684	25684	25684	25684
							32	4	Bolt, Sealless	21292	21292	21292	21292
							33	4	Lockwasher, Sealless	21238	21238	21238	21238
							24	1	Gasket, Sealless	24009	24009	24009	24009
							25	1	Adapter, Sealless	25464	25464	25522	25522
							26	1	Snap Ring, Sealless	25482	25482	25482	25482
							27	1	Woodruf Key, Sealless	21163	21163	21163	21163
							28	1	Impeller, Sealless	25480	25480	25518	25518
							29	1	Nut, Impeller, Sealless	22655	22655	22655	22655

**Red Numbers are
Sealless Hydraulic Motor Parts Only
See Above for Shaft Sealed Units**