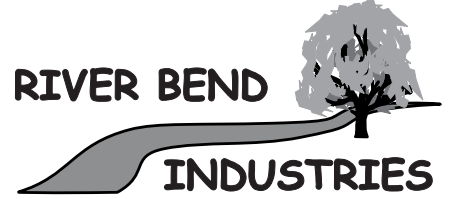


Flomax 5 Cast Iron Pump Flomax 8 Cast Iron Pump Self Lubricated Seal Type For Grease Seal Type Please Call

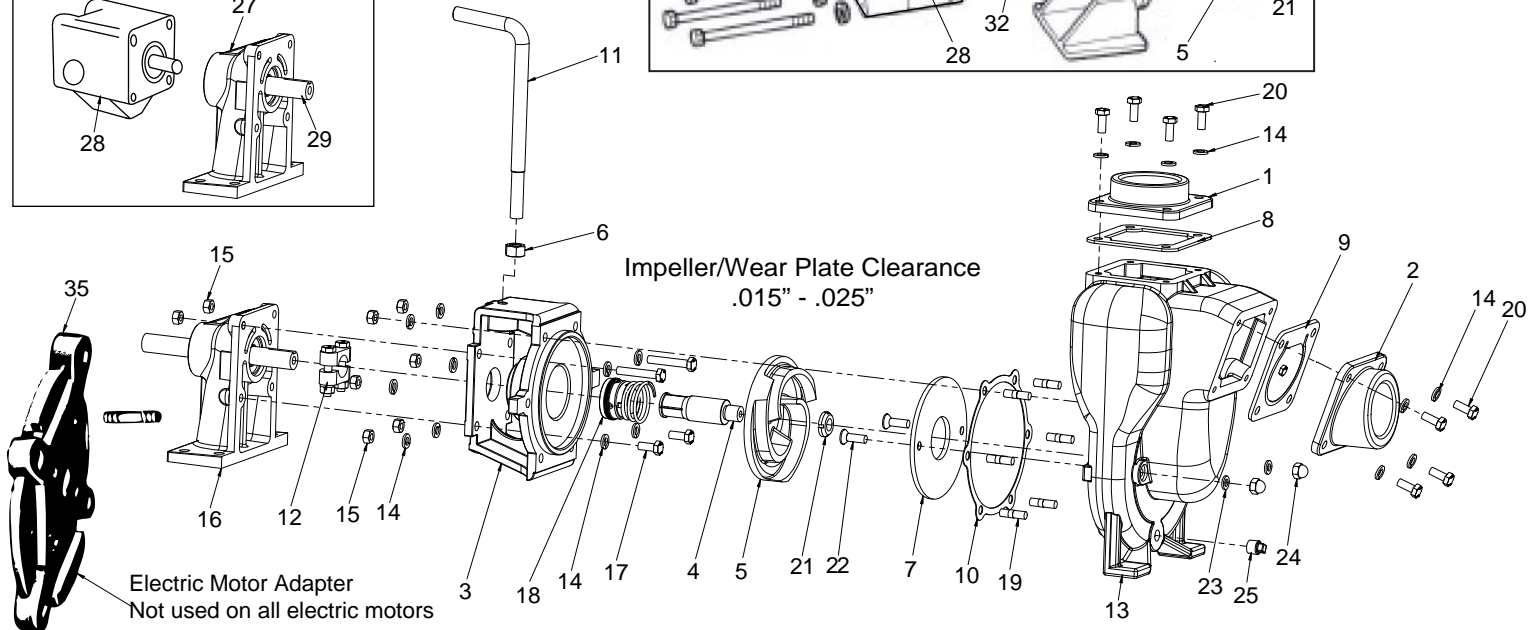
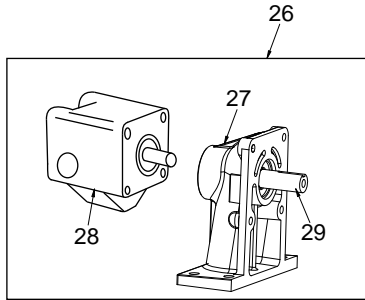
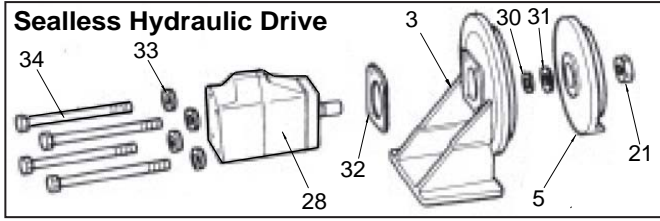


MP PUMPS, INC.

34800 BENNETT • FRASER, MI 48026-1686

Moorhead, MN 56560
218-236-1818
800-365-3070

www.riverbendind.com



MP Pumps Replacement Parts Flomax 5, Flomax 8

| Ref No. | Qty. | Description | Cast Flowmax 5 1-1/2" | Cast Flowmax 8 2" | Bronze Flowmax 5 1-1/2" | Bronze Flowmax 8 2" |
|---------|------|--|-----------------------|-------------------|-------------------------|---------------------|
| 1 | 1 | Flange, Outlet 1-1/2" | 22266 | 22311 | 22265 | 22310 |
| | 1 | Flange, Outlet 2" | | | | |
| 2 | 1 | Flange, Inlet 1-1/2" | 22263 | | 22262 | |
| | 1 | Flange, Inlet 2" | | 22387 | | 22386 |
| 3 | 1 | Adapter, Gas Eng & Ped | 22247 | 22247 | 22246 | 22246 |
| | 1 | Adapter, Electric Motor 56C, 145TC, 184C | 25904 | 25904 | 25948 | 25948 |
| | 1 | Adapter, Sealless Hydraulic | 24003 | 24003 | 25068 | 25068 |
| 4 | 1 | Drive Sleeve 3/4" | 22286 | 22286 | 22286 | 22286 |
| | 1 | Drive Sleeve 5/8" 56C | 22253 | 22253 | 22253 | 22253 |
| | 1 | Drive Sleeve 7/8" NEMA | 25664 | 25664 | 25664 | 25664 |
| 5 | 1 | Impeller 5.0" Dia | 22293 | 22293 | 22292 | 22292 |
| | 1 | Impeller 5.0" Dia High Flow | 36408 | 36408 | | |
| | 1 | Impeller 4.6" Dia | 24585 | 24585 | 25257 | 25257 |
| | 1 | Impeller 4.1" Dia | 25139 | 25139 | 25091 | 25091 |
| 6 | 1 | Nut, 3/8" | | | | |
| 7 | 1 | Wear Plate | 22260 | 22260 | 22259 | 22259 |
| 8 | 1 | Gasket, Outlet BUNA | 22256 | 22256 | 22256 | 22256 |
| | 1 | Gasket, Outlet EPDM | 25933 | 25933 | 25933 | 25933 |
| 9 | 1 | Flapper Assembly BUNA | 23022 | 23022 | 23022 | 23022 |
| | 1 | Flapper Assembly EPDM | 26097 | 26097 | 26097 | 26097 |
| 9a | 1 | Flapper Rubber Only BUNA | 23022 | 23022 | 23022 | 23022 |
| | 1 | Flapper Rubber Only EPDM | 26098 | 26098 | 26098 | 26098 |
| 10 | 1 | Gasket | 22255 | 22255 | 22255 | 22255 |
| 11 | 1 | Handle | | | | |
| 12 | 1 | Clamp, 5/8" & 3/4" | 23002 | 23002 | 23002 | 23002 |
| | 1 | Clamp, 7/8" | 23003 | 23003 | 23003 | 23003 |
| 13 | 1 | Housing | 23021 | 23021 | 23020 | 23020 |
| 14 | 14 | Lock Washer 5/16" SS | 21238 | 21238 | 21238 | 21238 |

| Ref No. | Qty. | Description | Cast Flowmax 5 1-1/2" | Cast Flowmax 8 2" | Bronze Flowmax 5 1-1/2" | Bronze Flowmax 8 2" |
|---------|------|--|-----------------------|-------------------|-------------------------|---------------------|
| 15 | 6 | Nut, 5/16 SS | 21284 | 21284 | 21284 | 21284 |
| 16 | 1 | Pedestal Assembly | 26142 | 26142 | 26142 | 26142 |
| N/S | 2 | Bearing | 22300 | 22300 | 22300 | 22300 |
| 17 | 1 | Bolt | | | | |
| 18 | 1 | Seal | 22272 | 22272 | 22272 | 22272 |
| 19 | 6 | Stud, 5/16" x 3/4" SS | 24965 | 24965 | 24965 | 24965 |
| 20 | 8 | Bolt | 21242 | 21242 | 21242 | 21242 |
| 21 | 1 | Impeller Lock Nut 22655 | 22655 | 22655 | 22655 | 22655 |
| 22 | 2 | Flat Head Scr, 5/16" x 1" | 21249 | 21249 | 21249 | 21249 |
| 23 | 2 | Annular Gasket | 21248 | 21248 | 21248 | 21248 |
| 24 | 2 | Acorn Nut, SS 5/16" | 21237 | 21237 | 21237 | 21237 |
| 25 | 1 | Drain Plug, 1/4" NPT | | | | |
| 26 | 1 | Hydraulic Motor & Pedestal Assembly | | | | |
| | | With M11 Motor | 29952 | 29952 | 29952 | 29952 |
| | | With M20 Motor | 29953 | 29953 | 29953 | 29953 |
| | | With M9 Motor | 29951 | 29951 | 29951 | 29951 |
| 27 | 1 | Pedestal Assembly | 29990 | 29990 | 29990 | 29990 |
| 28 | 1 | Hydraulic Motor Only | | | | |
| | | M11 Motor | 29987 | 29987 | 29987 | 29987 |
| | | M20 Motor | 29988 | 29988 | 29988 | 29988 |
| | | M9 Motor | 29989 | 29989 | 29989 | 29989 |
| | | Sealless Motor | 25278 | 25278 | 25278 | 25278 |
| 29 | 1 | Shaft Only (Hyd Ped) | 29502 | 29502 | 29502 | 29502 |
| NS | 2 | Bearing | 22301 | 22301 | 22301 | 22301 |
| 30 | 1 | Snap Ring-Sealless | 25004 | 25004 | 25004 | 25004 |
| 31 | 1 | Shim-Sealless | 22305 | 22305 | 22305 | 22305 |
| 32 | 1 | Gasket-Sealless | 24009 | 24009 | 24009 | 24009 |
| 33 | 4 | Lock Washer | 21238 | 21238 | 21238 | 21238 |
| 34 | 4 | Bolt | 24634 | 24634 | 24634 | 24634 |
| 35 | 1 | Pilot Ring NEMA 56C, 145TC, 184C Used with 22247 and 22246 Adapter | 24249 | 24249 | 24249 | 24249 |