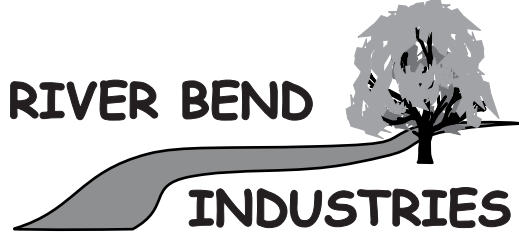
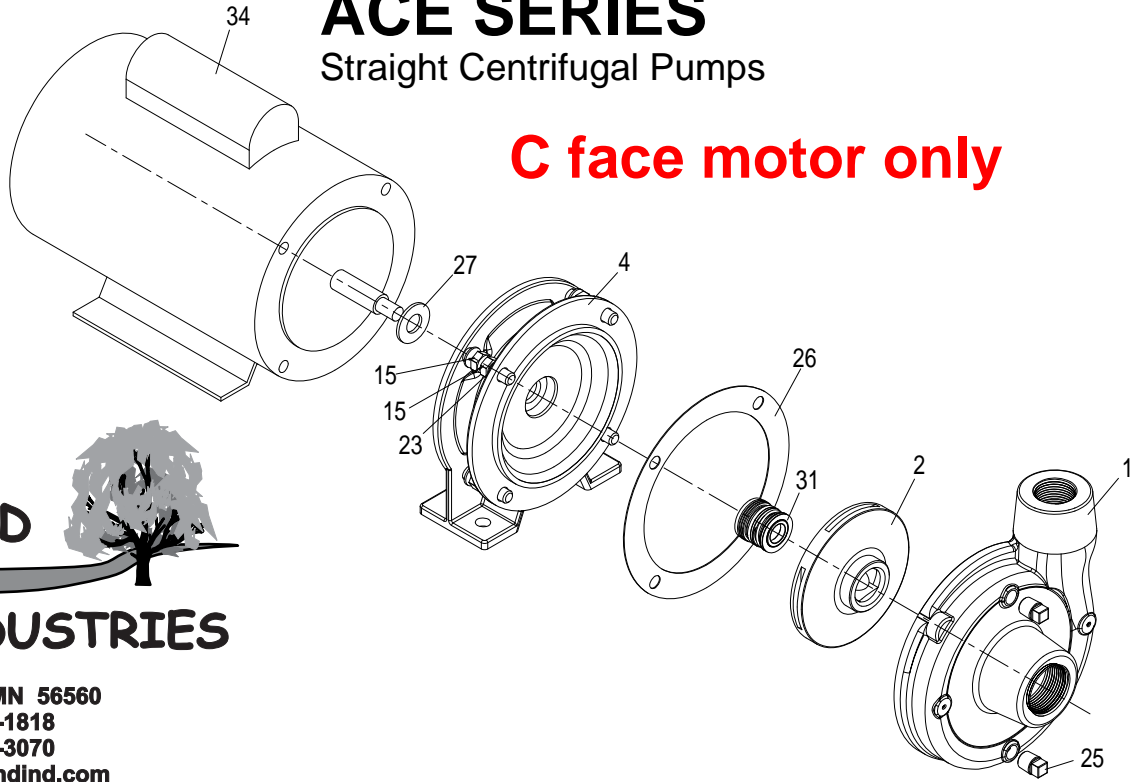


ACE SERIES

Straight Centrifugal Pumps

C face motor only



Moorhead, MN 56560
 218-236-1818
 800-365-3070
www.riverbendind.com

| Ref.# | Part # | ACE-33 | ACE-50 | ACE-75 | ACE-100 | ACE-150 | ACE-200 | Description | |
|-------|--------|--------|------------------|--------|---------|---------|---------|--------------------------------------|-----------|
| 1 | 437711 | 1 | 1 | | | | | Casing, ACE-33, ACE-50 | |
| | 437721 | | | 1 | 1 | | | Casing, ACE-75, ACE-100 | |
| | 437732 | | | | | 1 | 1 | Casing, ACE-150, ACE-200 | |
| 2 | 437750 | NLA | | | | | | Impeller, ACE-33 NLA | |
| | 437760 | | 1 | | | | | Impeller, ACE-50 | |
| | 437770 | | | 1 | | | | Impeller, ACE-75 | |
| | 437780 | | | | 1 | | | Impeller, ACE-100 | |
| | 437790 | | | | | 1 | | Impeller, ACE-150 | |
| | 437800 | | | | | | 1 | Impeller, ACE-200 | |
| 4 | 437881 | 1 | 1 | 1 | 1 | | | Electric Adapter, ACE-33 - ACE100 | |
| | 437900 | | | | | 1 | 1 | Electric Adapter, ACE-150, ACE-200 | |
| 7 | 422790 | | Where applicable | | | | | | Wear Ring |
| 15 | 119990 | 8 | 8 | 8 | 8 | 8 | 8 | Hex. Hd. Bolt 3/8 | |
| 23 | 175500 | 4 | 4 | 4 | 4 | 4 | 4 | Aluminum Washer | |
| 25 | 185620 | 2 | 2 | 2 | 2 | 2 | 2 | Pipe Plug 1/4 NPT | |
| 26 | 193900 | 1 | 1 | 1 | 1 | | | Gasket, ACE-33 - ACE100 | |
| | 193910 | | | | | 1 | 1 | Gasket, ACE-150, ACE-200 | |
| 27 | 191790 | 1 | 1 | 1 | 1 | 1 | 1 | Flinger | |
| 31 | 240250 | 1 | 1 | 1 | 1 | 1 | 1 | Seal 5/8 Type 6 | |
| 34 | 204070 | 1 | | | | | | Motor, 1/3 HP, 115 V - ACE-33 | |
| | 204110 | | 1 | | | | | Motor, 1/2 HP, 115 V - ACE-50 | |
| | 204140 | | | 1 | | | | Motor, 3/4 HP, 115/230 V - ACE-75 | |
| | 204160 | | | | 1 | | | Motor, 1 HP, 115/230 V - ACE-100 | |
| | 204180 | | | | | 1 | | Motor, 1-1/2 HP, 115/230 V - ACE-150 | |
| | 204190 | | | | | | 1 | Motor, 2 HP, 230 V - ACE-200 | |