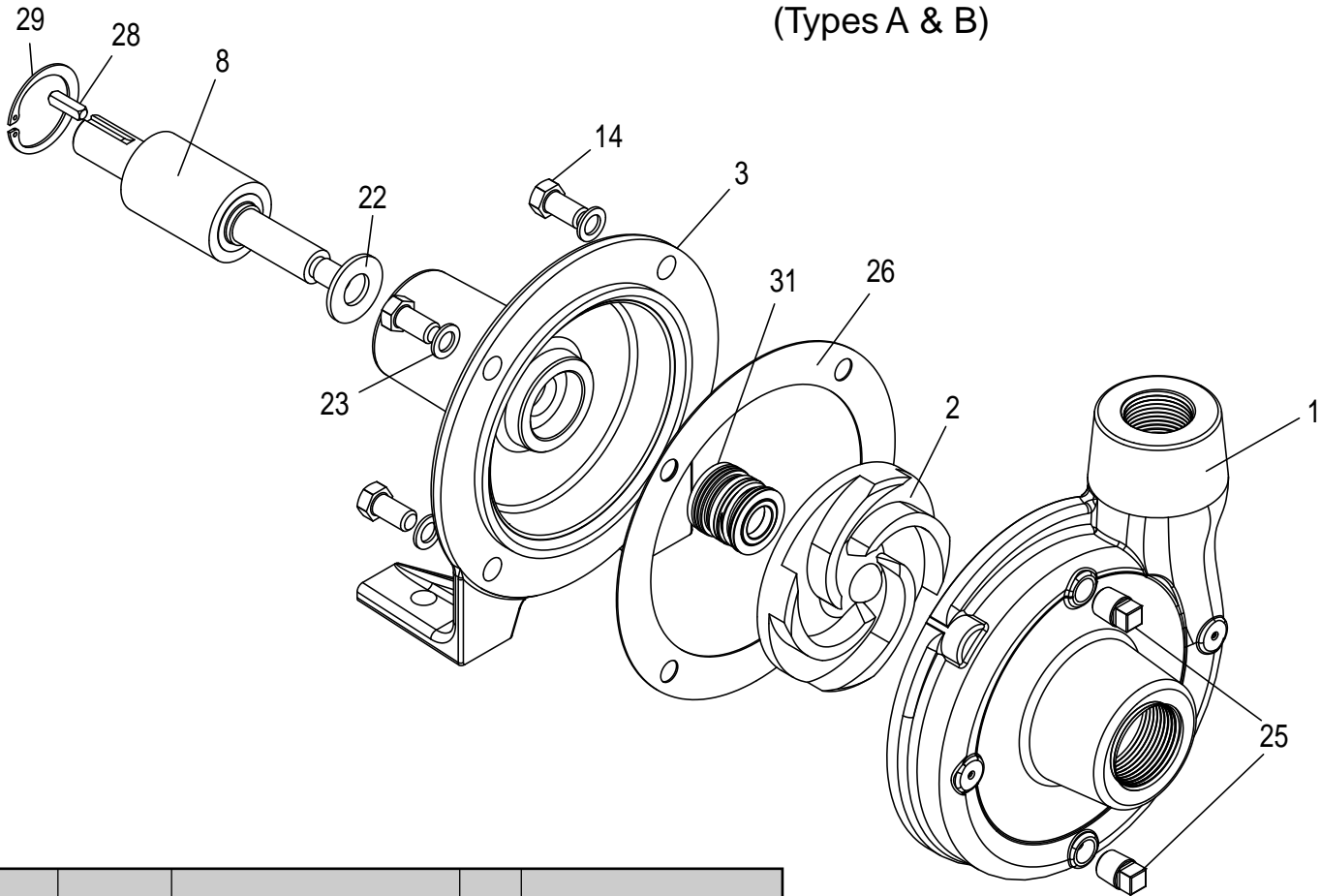


REPAIR PARTS LIST

Monarch - AOT SERIES

Straight Centrifugal pumps
(Types A & B)



Ref.#	Part #	Pump Model No.	Qty.	Description
1	437711	AOT-4	1	Casing
	437721	AOT-5	1	Casing
	437732	AOT-6	1	Casing
2	438110	AOT-4	1	Impeller
	438120	AOT-5	1	Impeller
	438150	AOT-6	1	Impeller
3	437860	AOT-4, AOT-5, Type A	1	Transmission Head
	437861	AOT-4, AOT-5, Type B	1	Transmission Head
	437870	AOT-6, Type A	1	Transmission Head
	437862	AOT-6, Type B	1	Transmission Head
8	438450	Type A	1	Shaft Assembly 5/8"
	438451	Type B	1	Shaft Assembly 3/4"
14	119990	All Models	4	Hex. Hd. Bolt
22	191790	All Models	1	Flinger
23*	175500	All Models	4	Aluminum Washer
25	185620	All Models	2	Pipe Plug
26*	193900	AOT-4, AOT-5	1	Gasket
	193910	AOT-6	1	Gasket
28	432010	All Models	1	Key
29	138230	Type A	1	Spring Ring
	137930	Type B	1	Spring Ring
31*	240250	All Models	1	Seal 5/8 I.D., Type 6

* Suggested parts to stock.

IMPORTANT: When ordering parts specify the model and type, code number and part description.

RIVER BEND



INDUSTRIES

Moorhead, MN 56560
218-236-1818
800-365-3070
www.riverbendind.com

Note: A type pumps must be converted over to type B pumps by using type B shaft and transmission head. This changes the shaft from 5/8" to 3/4".