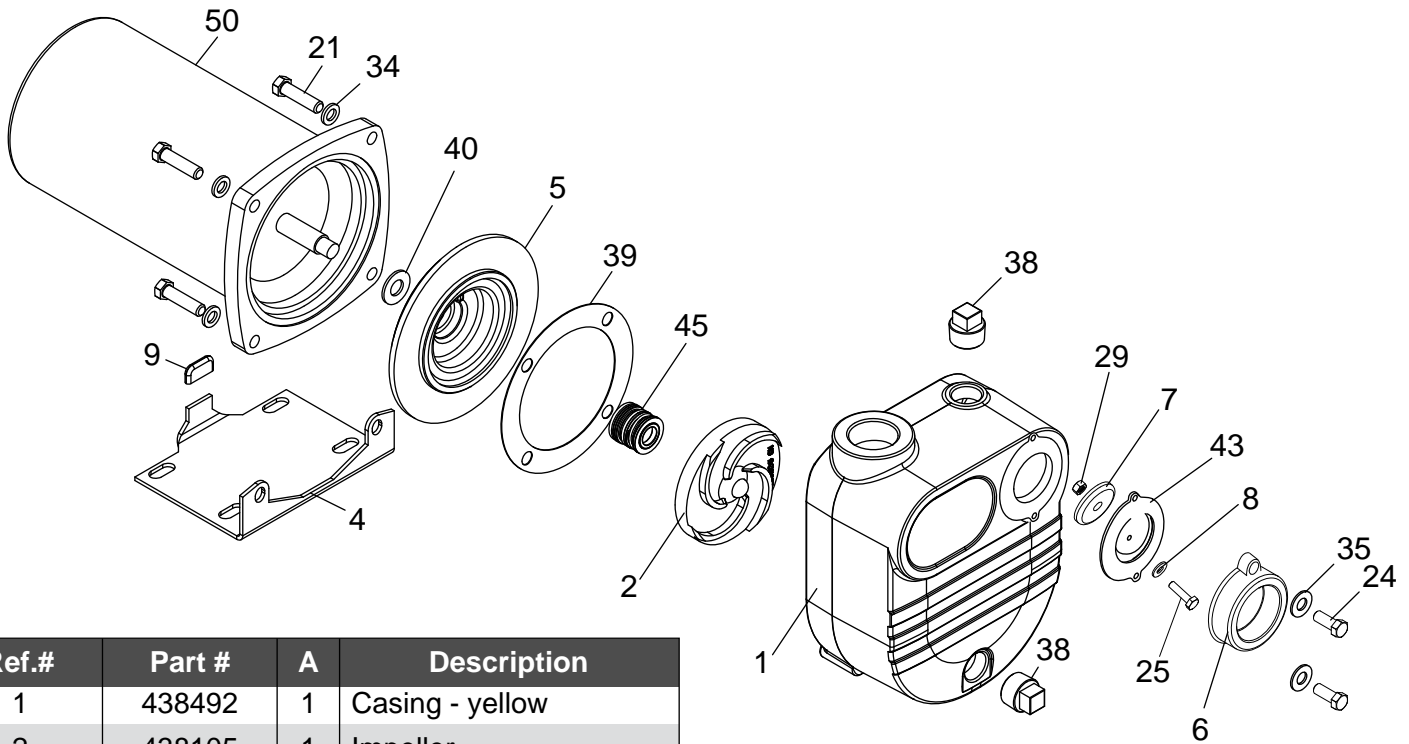
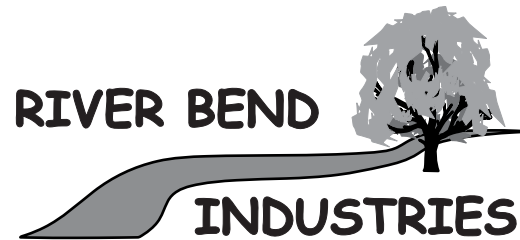


# Monarch B50S SERIES

Self priming Utility pump  
(Type A & B Pumps)



Ref.#	Part #	A	Description
1	438492	1	Casing - yellow
2	438105	1	Impeller
4	438245	1	Mounting Bracket
5	438241	1	Seal Plate
6	438415	1	Check Valve
7	238330	1	Top Weight
8	175000	1	Washer 1/4 ID
9	246801	1	End Cap
21	120030	4	Bolt 3/8 UNC x 1 1/2
24	119780	2	Bolt 5/16 UNC x 1
25	225720	1	Bolt 1/4 UNC x 5/8
29	227810	1	Nut 1/4UNC
34	176540	4	Spring Washer 3/8
35	174220	2	Aluminum Washer
38	185640	2	Pipe Plug 1/2 NPT
39	193920	1	Gasket
40	191790	1	Flinger
43	194390	1	Valve Rubber
45	240160	1	Seal 5/8 Type A
	240316	1	Seal 5/8 Type B
49	438247	1	Handle
50	204073	1	Electric Motor 1/2 HP
55	224965	1	Cord Assy.



Moorhead, MN 56560  
218-236-1818  
800-365-3070  
[www.riverbendind.com](http://www.riverbendind.com)

**IMPORTANT:** When ordering parts specify the model, code number, part description, and pump type.