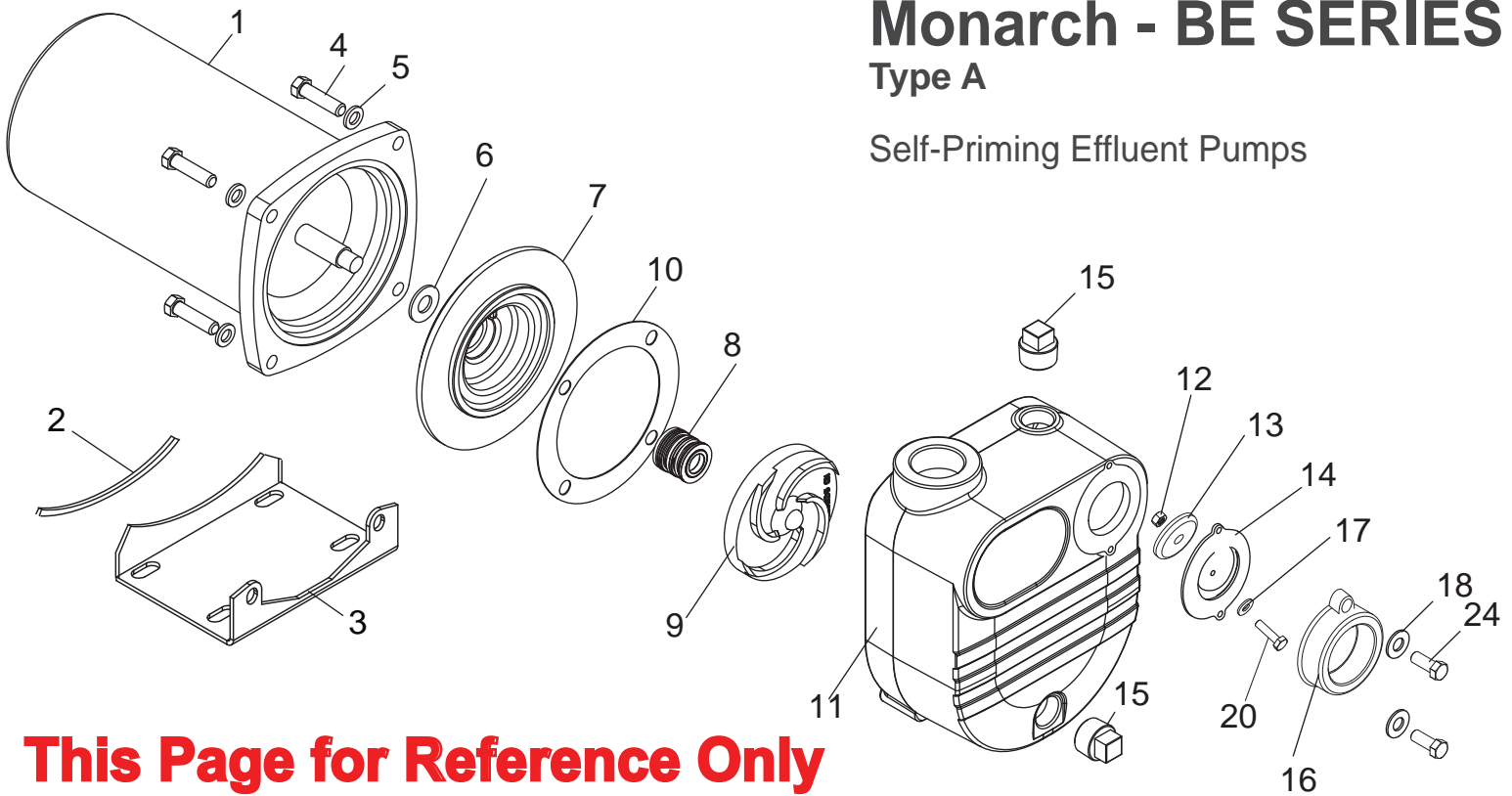


Monarch - BE SERIES

Type A

Self-Priming Effluent Pumps



This Page for Reference Only
See Page 2 for BE-S Kits

Items 1, 3, and 7 look similar for BE33 and BE50 models

a= BE33	b= BE-S33	c= BE50	d= BE-S50	e= BE-S75
BE33-B	BE-S33-B	BE50-B	BE-S50-B	BE-S75-B
BE33-SP	BE-S33-SP	BE50-SP	BE-S50-SP	BE-S75-SP

Ref. #	Part #	a	b	c	d	e	Description
1	204070	1	--	--	--	--	Motor 1/3 HP C face
	204071	--	1	--	--	--	Motor 1/3 HP Sq. flange
	204110	--	--	1	--	--	Motor 1/2 HP C face
	204073	--	--	--	1	--	Motor 1/2 HP Sq. flange
	204125	--	--	--	--	1	Motor 3/4 HP Sq. flange
2	246800	1	1	1	1	1	Edge trim
3	438245	1	1	1	1	1	Base
4	119990	4	--	4	--	--	Bolt 3/8 UNC x 3/4
	120030	--	4	--	4	4	Bolt 3/8 UNC x 1 1/2
5	175500	4	--	4	--	--	Aluminum washer
	176230	--	4	--	4	4	Spring washer 3/8
6	191790	1	1	1	1	1	Fliinger
7	438240	1	--	1	--	--	Seal plate
	438251	--	1	--	1	1	Seal plate
8	240160	1	1	1	1	1	Mechanical seal 5/8 I.D.
9	438090	1	--	--	--	--	Impeller 7/16 UNC; .20 vane height
	438092	--	1	--	--	--	Impeller 1/2 UNC; .20 vane height
	438100	--	--	1	--	--	Impeller 7/16 UNC; .30 vane height
	438105	--	--	--	1	--	Impeller 1/2 UNC; .25 vane height
	438106	--	--	--	--	1	Impeller 1/2 UNC; .35 vane height
10	193920	1	1	1	1	1	Gasket
11	438390	1	--	1	--	--	Casing
	438492	--	1	--	1	1	Casing - Yellow (B.C. dia. for motor - 7.13)
12	227810	1	1	1	1	1	Nut 1/4 UNC
13	238330	1	1	1	1	1	Top weight
14	194390	1	1	1	1	1	Check valve
15	186540	1	1	1	1	1	Pipe plug 1/2 NPT
16	438415	1	1	1	1	1	Checkvalve body
18	174220	1	1	1	1	1	Aluminum washer 5/16"
19	119780	1	1	1	1	1	Bolt 5/16" UNC x 1"
20	225720	1	1	1	1	1	Bolt 1/4" UNC x 5/8"

Items that are not shown are for the models that have the suffix "-B" or "-SP". They are the following:

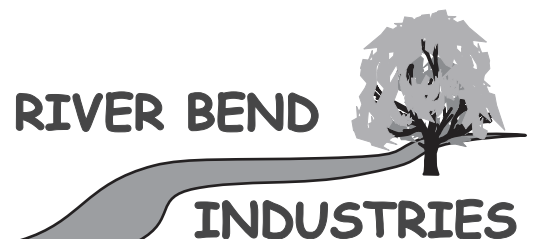
Models "-B"

Ref. #	Code #	Description
633738	1	Float switch
435021	1	Cord assembly, 8 ft.

Models "-SP"

Ref. #	Code #	Description
225070	1	Sump pump switch
435021	1	Cord assembly, 8 ft.
435022	1	Cord assembly, 5 ft.
463763	1	Float kit

IMPORTANT: When ordering parts please specify model and type, code number, and part description.

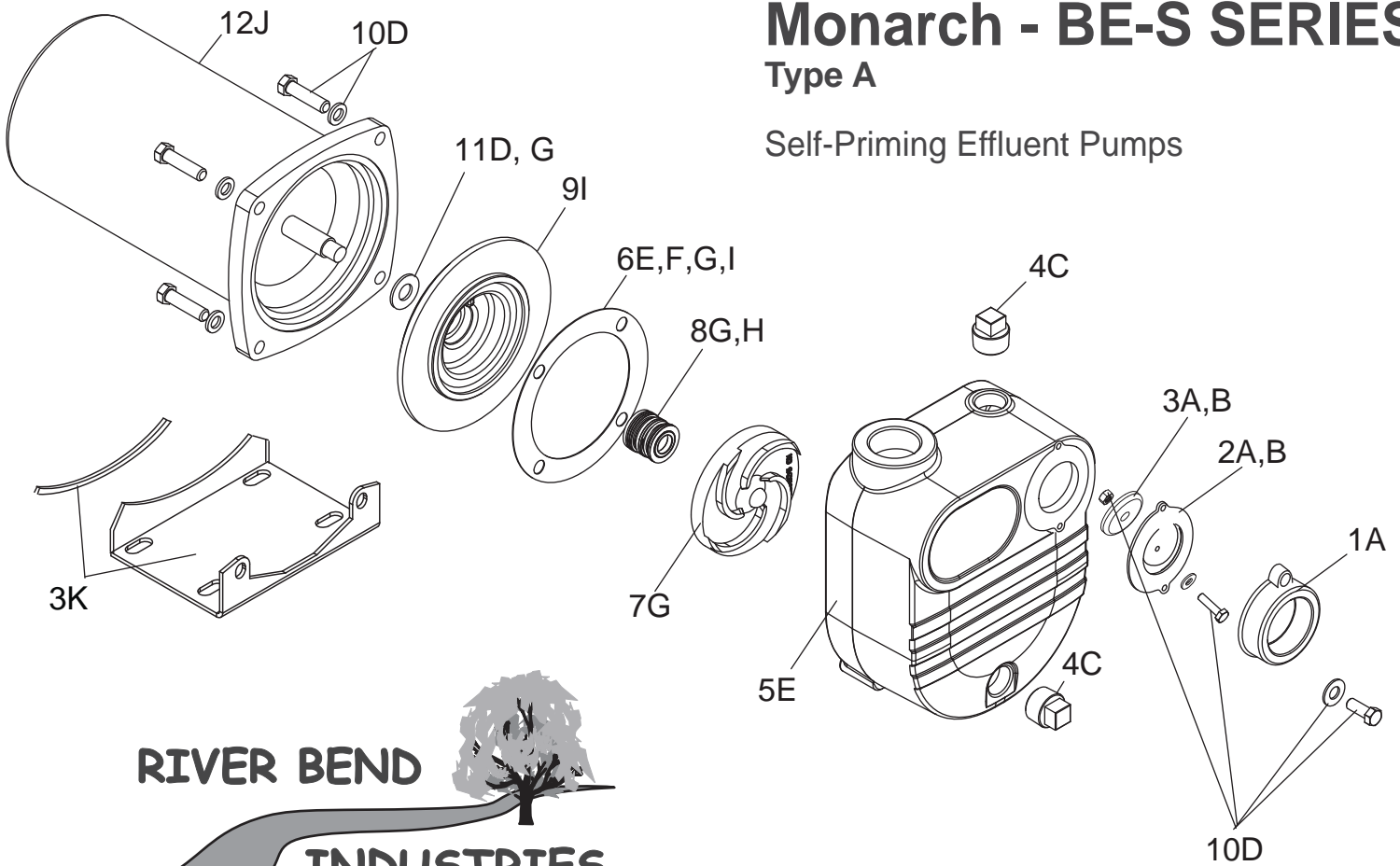


Moorhead, MN 56560
 218-236-1818
 800-365-3070
www.riverbendind.com

Monarch - BE-S SERIES

Type A

Self-Priming Effluent Pumps



RIVER BEND



INDUSTRIES

Moorhead, MN 56560
 218-236-1818
 800-365-3070
www.riverbendind.com

FIGURE NUMBER	DESCRIPTION	KIT GROUPING IDENTIFIER †	REPAIR PARTS ORDER CODES BY MODEL NUMBER		
			BE-S33	BE-S50	BE-S75
1	Check valve body	A	305446910		
2	Flapper valve	B	305446911		
3	Weight	A	305446910		
4	Plugs Kit	C	305446953		
5	Casing	E	305446913		
6	Gasket	F	305446918		
		I	305446917		
		G	305446914	305446915	305446916
8	Mechanical seal	H	106196221		
9	Seal plate	I	305446917		
10	Fastener Kit*	D	305446912		
11	Flinger	G	305446914	305446915	305446916
		J	305446954	305446955	305446956
13	Base assembly	K	305446960		

†Items with like identifiers are sold/packaged together. *Fastener kit (10D) is a complete set of the hardware used to assembly the pump. As a convenience all other repair kits contain the fasteners needed for the reassembly of its components.