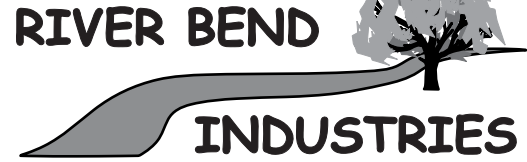


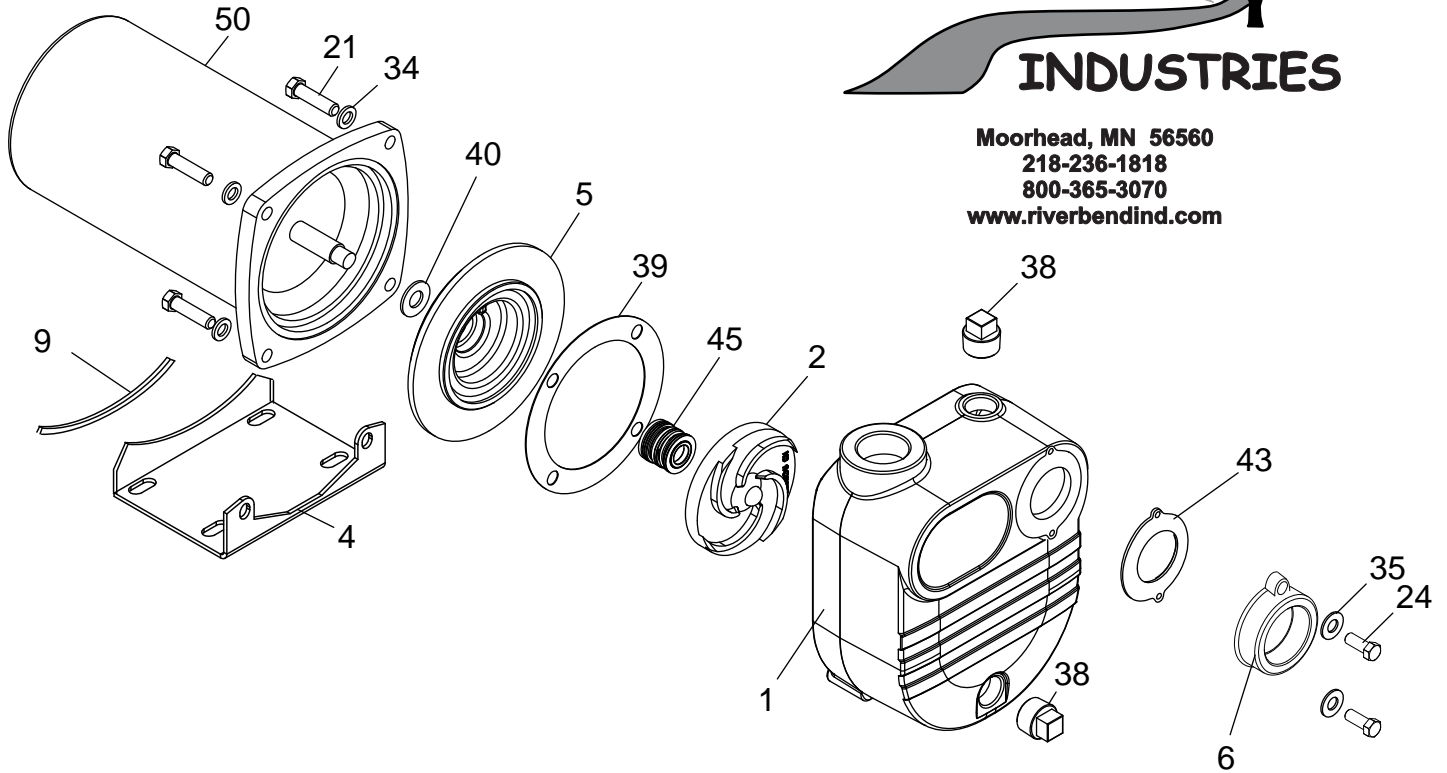
Monarch BE-S33/S50 SERIES

Self Priming Effluent Pumps

Type "TM"



Moorhead, MN 56560
218-236-1818
800-365-3070
www.riverbendind.com



Ref. #	Code #	Qty.		Description
		BE-S33	BE-S50	
1	438391	1	1	Casing, 1-1/4" x 1-1/4"
2	438091	1		Impeller
	438101		1	Impeller
4	438245	1	1	Mounting Bracket
5	438241	1	1	Seal Plate
6	438412	1	1	Flange
7	201056	1	1	Check Valve Assembly
9	246800	1	1	5" Edge Trim
21	120030	4	4	Bolt 3/8 UNC x 1 1/2
24	119780	2	2	Bolt 5/16 UNC x 1
34	176540	4	4	Spring Washer 3/8
35	174220	2	2	Aluminum Washer
38	185640	2	2	Pipe Plug 1/2 NPT
39*	193920	1	1	Gasket
40*	191790	1	1	Flinger
43	438413	1	1	Gasket
45	240160	1	1	Seal 5/8 dia.
50	204081	1	1	1/3 HP Electric Motor, Sq. Flange 1/2 HP Electric Motor, Sq. Flange

*Suggested parts to stock.

IMPORTANT: When ordering parts specify model and type, code number and part description.