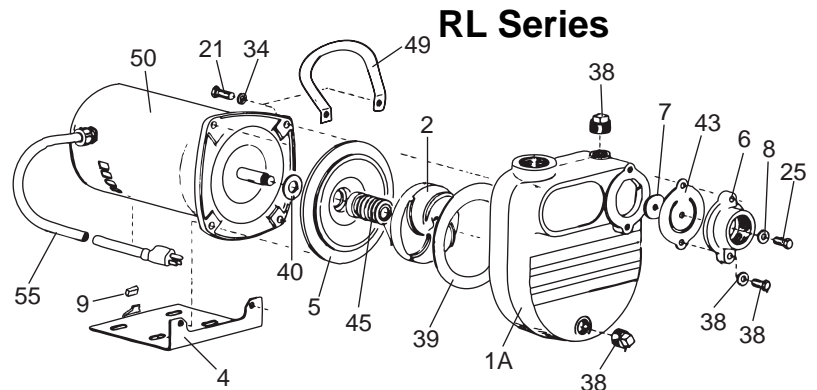
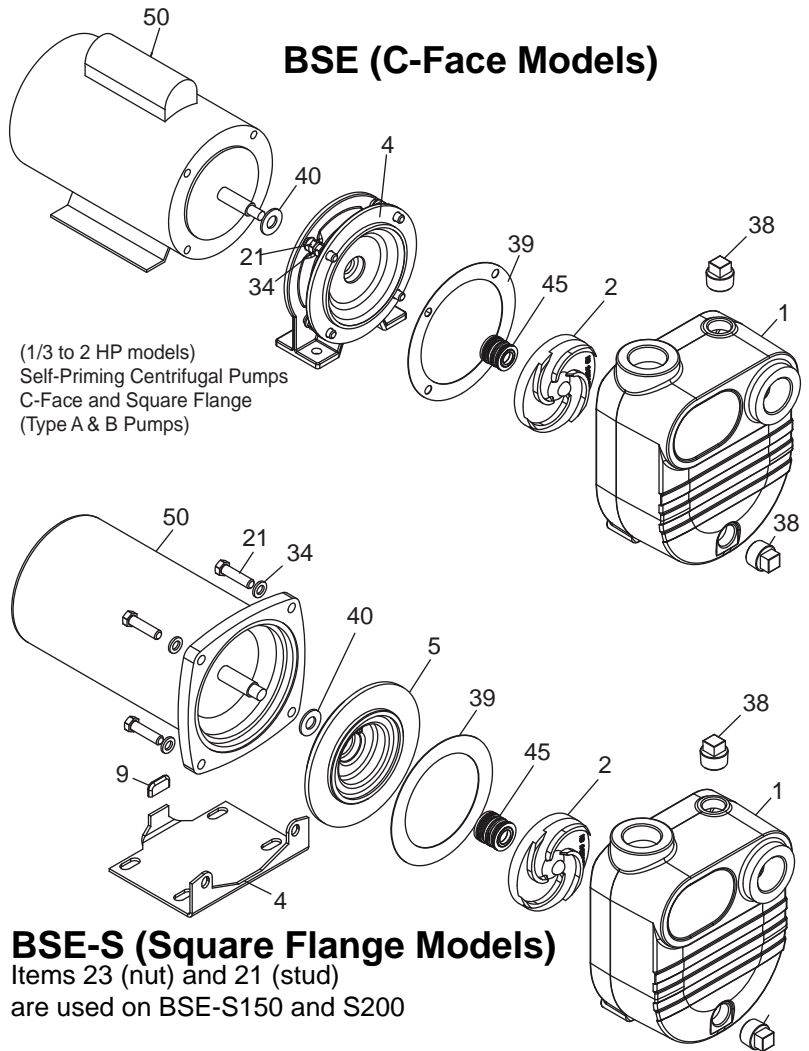


Ref.#	Code #	Qty.	Used on Models	Description
1	438020	1	33, 50, 75, 100	Casing 1-1/4" - 'C' Face
	438021	1	S33, S50, S75, S100	Casing 1-1/4" - Sq Flange
	438030	1	150	Casing 1-1/2" - 'C' Face
	438029	1	S150, S200	Casing 2" - Sq Flange
	238040	1	200	Casing 2" - 'C' Face
1A	438491	1	RL-50, RL-S33, RL-S50, RL-S75	Casing, Red w/Check Prov
2	438092	1	S33, RL-S33	Impeller - 1/3 Hp Sq. Fl.
	438090	1	33	Impeller - 1/3 Hp 'C' Face
	438105	1	S50, RL-S50	Impeller - 1/2 Hp Sq. Fl.
	438100	1	50	Impeller - 1/2 Hp 'C' Face
	438106	1	S75, RL-S75	Impeller - 3/4 Hp Sq. Fl.
	438110	1	75	Impeller - 3/4 Hp 'C' Face
	438111	1	S100	Impeller - 1 Hp Sq. Fl.
	438120	1	100	Impeller - 1 Hp 'C' Face
	438121	1	S150, S200	Impeller - 1-1/2 Hp Sq. Fl.
	438130	1	150	Impeller - 1-1/2 Hp 'C' Face
438131	1	S200	Impeller - 2 Hp Sq. Fl.	
438140	1	200	Impeller - 2 Hp 'C' Face	
4	438245	1	All BSE-S Models	Sq. Fl. Motor Mount
5	438251	1	S33, S50, S75, RL-50, RL-S33, RL-S50, RL-S75	Seal Plate Adapter Sq. Fl. Motor
	438242	1	S150, S200	Seal Plate Adapter Sq. Fl. Motor
	438240	1	33, 50, 75, 100	Motor Mount Adapter 'C' Face
	438260	1	150, 200	Motor Mount Adapter 'C' Face
6	438415	1	RL-50, RL-S33, RL-S50, RL-S75	Check Valve Body
7	238330	1	RL-50, RL-S33, RL-S50, RL-S75	Top Weight
8	175000	1	RL-50, RL-S33, RL-S50, RL-S75	Washer, 1/4" ID
9	246801	1	All S Models	End Cap
21	120030	4	S33,S50,S75,S100, RL-50, RL-S33, RL-S50, RL-S75	Bolt, 3/8" UNC x 1-1/2"
	164651	4	S150, S200	Stud, 3/8 UNC x 2
	119990	8	33, 50, 75, 100, 150, 200	Bolt, 3/8" UNC x 3/4"
23	227830	4	S150, S200	Nut, 3/8" UNC
24	119780	1	RL-50, RL-S33, RL-S50, RL-S75	Bolt, 5/16" UNC x 1"
25	225720	1	RL-50, RL-S33, RL-S50, RL-S75	Bolt, 1/4" UNC x 5/8"
29	227810	1	RL-50, RL-S33, RL-S50, RL-S75	Nut 1/4 UNC
34	176230	4	All S Models	Spring Washer
	175500	4	All Models (C-Face)	Plain Washer
35	174220	2	RL-50, RL-S33, RL-S50, RL-S75	Alum Washer
38	185650	2	All Models	Pipe Plug - 3/4 NPT
39	193920	1	S33, S50, S75, S100, RL-50, RL-S33, RL-S50, RL-S75	Gasket
	193930	1	S150, S200	Gasket
40	191790	1	All Models	Flinger
43	194390	1	RL-50, RL-S33, RL-S50, RL-S75	Valve, Rubber
45	240160	1	RL-50, RL-S33, RL-S50, RL-S75	Seal 5/8 I.D. Type A
	240316	1	All Models	Seal 5/8 I.D. Type B
50	204081	1	S33	Motor-1/3 Hp-115V-Sq. Fl.
	204070	1	33	Motor-1/3 Hp-115V-'C' Face
	204073	1	S50, RL-50	Motor - 1/2 Hp-115/230V Square Flange
	204110	1	50	Motor - 1/2 Hp-115/230V 'C' Face
	204125	1	S75	Motor - 3/4 Hp-115/230V Square Flange
	204140	1	75	Motor - 3/4 Hp-115/230V 'C' Face
	204154	1	S100	Motor - 1 Hp-115/230V Square Flange
	204160	1	100	Motor - 1 Hp-115/230V 'C' Face
	204179	1	S150, S200	Motor - 1-1/2 Hp-115/230V Square Flange
	204180	1	150	Motor - 1-1/2 Hp-115/230V 'C' Face
204186	1	S200	Motor - 2 Hp - 230V - Sq. Fl.	
204190	1	200	Motor - 2 Hp-115/230V 'C' Face	

Monarch BSE & BSE-S SERIES Red Lion RL-50, RL-S33, RL-S50, RL-S75 REPAIR PARTS LIST



RIVER BEND



INDUSTRIES

Moorhead, MN 56560
218-236-1818
800-365-3070
www.riverbendind.com