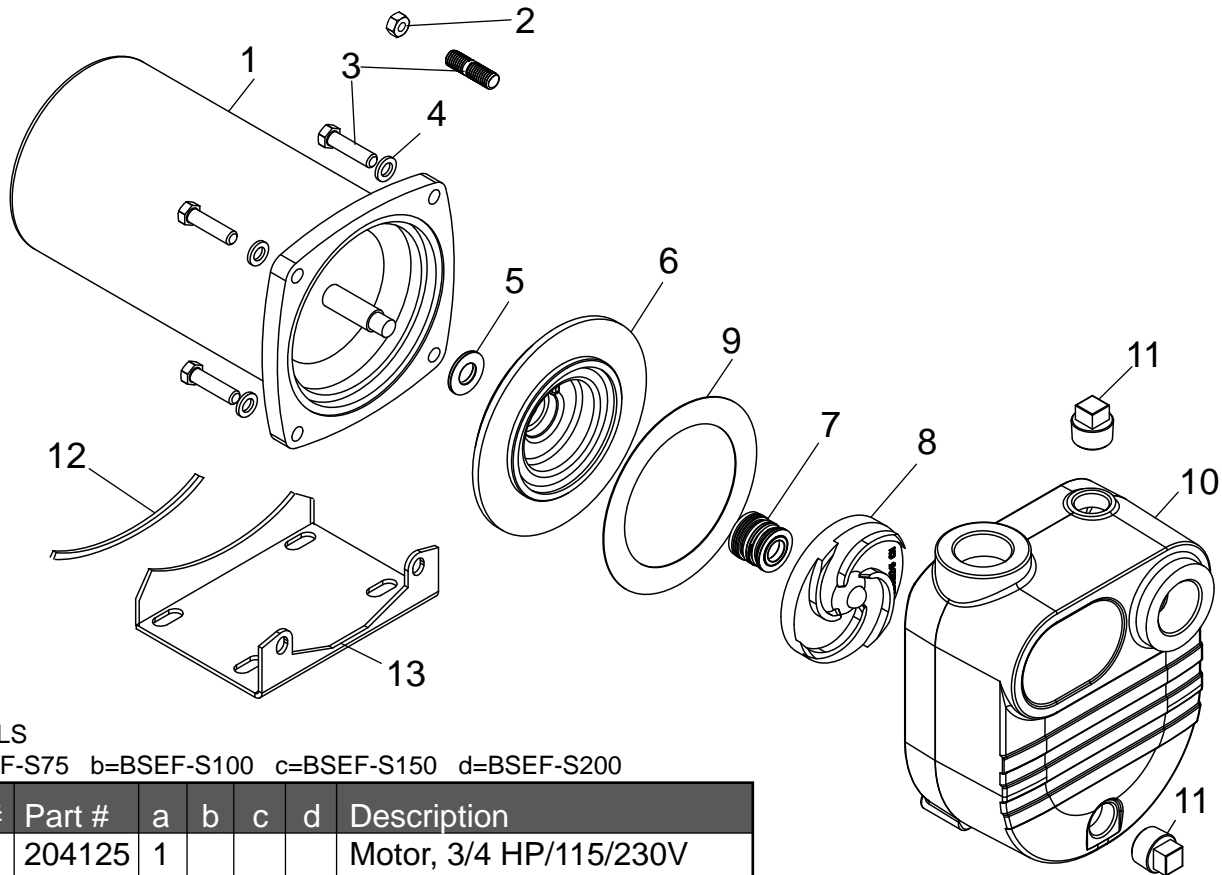


Monarch BSEF-S SERIES

with Square Flanged Motors

BSEF-S75, BSEF-S100, BSEF-S150, BSEF-S200
(Type A)



MODELS

a=BSEF-S75 b=BSEF-S100 c=BSEF-S150 d=BSEF-S200

Ref.#	Part #	a	b	c	d	Description
1	204125	1				Motor, 3/4 HP/115/230V
	204154		1			Motor, 1HP/115/230V
	204179			1		Motor, 1-1/2HP/115/230V
	204178				1	Motor, 2HP/115/230V
2	227830				4	Nut, 3/8" UNC
3	120030	4	4	4		Bolt, 3/8" UNC x 1 1/2"
	170350				4	Stud, 3/8" UNC x 2"
4	176230	4	4	4	4	Spring Washer, 3/8"
5	191790	1	1	1	1	Flinger
6	438241	1	1	1		Seal Plate
	438242				1	Seal Plate
7	240316	1	1	1	1	Mechanical Seal, 5/8 I.D.
8	438105	1				Impeller
	438106		1			Impeller
	438111			1		Impeller
	438121				1	Impeller
9	193920	1	1	1		Gasket
	193930				1	Gasket
10	438021	1	1	1		Casing 1-1/4" x 1-1/4"
	438029				1	Casing 2" x 2"
11	185650	2	2	2	2	Pipe Plug, 3/4" NPT
12	246800	1	1	1	1	Edge Trim
13	438245	1	1	1	1	Base

RIVER BEND
INDUSTRIES

Moorhead, MN 56560
218-236-1818
800-365-3070
www.riverbendind.com