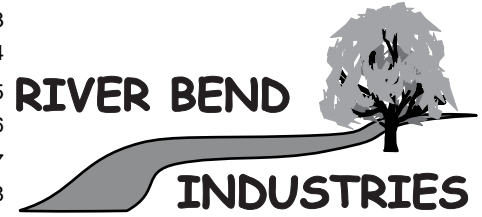
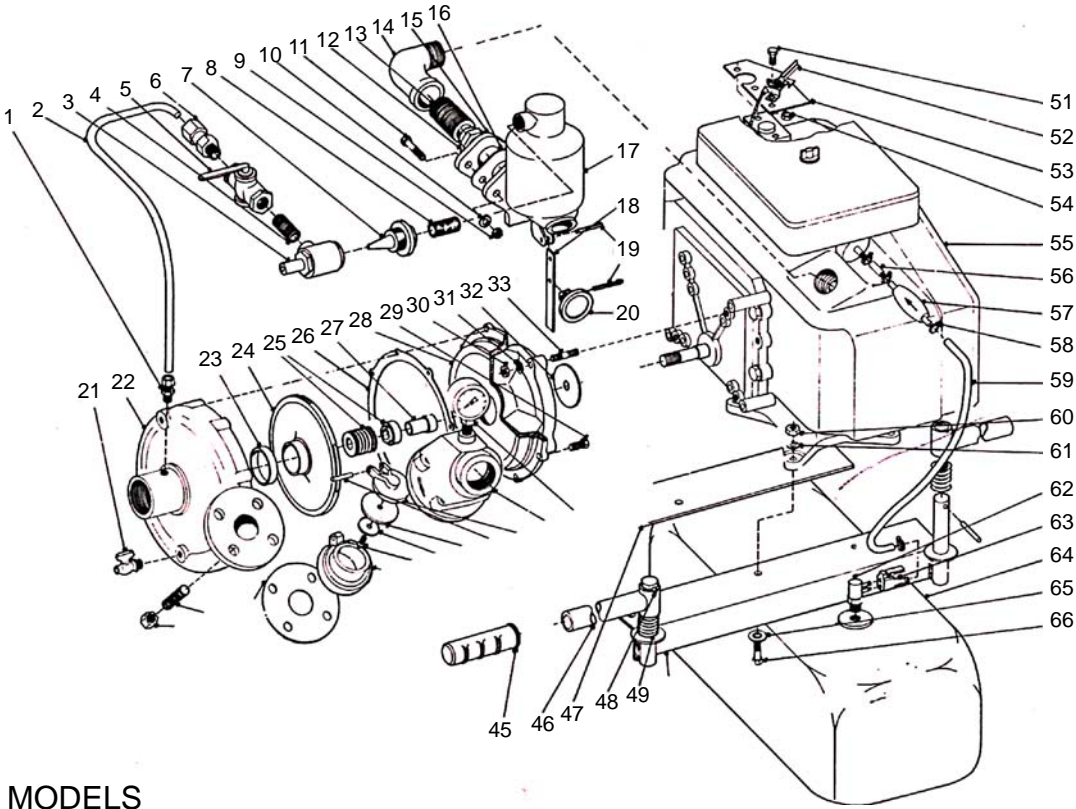


# Monarch - FF SERIES

FF20-8, FF25-10, FF25-18

(TYPE A)



Moorhead, MN 56560  
218-236-1818  
800-365-3070  
www.riverbendind.com

## MODELS

a=FF20-8 b=FF25-10 c=FF25-18

Ref. #	Part #	Qty. Req'd.			Description
		a	b	c	
1	200640	1	1	1	Connector
2	432520	1	1	1	Tube
3	406500	1	1	1	Venturi
4	179950	1	1	1	Nipple
5	201040	1	1	1	Cock
6	200640	1	1	1	Connector
7	406490	1	1	1	Nozzle
8	180120	1	1	1	Nipple
9	128230	2	2	2	Nut
10	176540	2	2	2	Washer
11	120040	2	2	2	Bolt
12	186710	1		1	Bushing
13	182910			1	Nipple
	180520		1		Nipple
	180350	1			Nipple
14	189650			1	Elbow
15	406690	1	1	1	Flange
16	190860	1	1	1	Gasket
17	406700	1	1	1	Chamber
18	406730	1	1	1	Lever
19	136090	2	2	2	Pin
20	406720	1	1	1	Cover
21	201050	1	1	1	Cock
22	404525			1	Casing
	404511		1		Casing
	404516	1			Casing
23	400121			1	Wear Ring
	400400			(1)	Wear Ring
24	400293			1	Impeller
	461806	1	1		Impeller
	461807	1			Impeller

Ref. #	Part #	Qty. Req'd.			Description
		a	b	c	
25	240070	1	1	1	Seal
26	190838			1	Gasket
26	190837	1	1		Gasket
27	400138			1	Sleeve
27	404524		1		Sleeve
27	400132	1			Sleeve
28	404526			1	Adapter
28	404517	1	1		Adapter
29	120230			8	Bolt
29	120000	8	8		Bolt
30	128230	4	4	4	Nut
31	176688	4	4	4	Washer
32	190849		1	1	Flinger
32	191270	1			Flinger
33	164650	4	4	4	Stud
34	128270	4	4	4	Nut
35	165860		4	4	Stud
35	165850	4			Stud
36	190842		1	1	Gasket
36	190841	1			Gasket
37	400062		1	1	Seat
37	400058	1			Seat
38	145860	1	1	1	Screw
39	000075		1	1	Washer
39	000072	1			Washer
40	190835		1	1	Flapper
40	190832	1			Flapper
41	400081	1	1	1	Pin
42	400068		1	1	Top Weight
42	400065	1			Top Weight

Ref. #	Part #	Qty. Req'd.			Description
		a	b	c	
43	404513		1	1	Body
	404518	1			Body
44	224850	1	1	1	Gauge
45	195070	4	4	4	Handle Grip
46	435080	4	4	4	Handle
47	435060	1	1	1	Base - R.H.
48	135280	4	4	4	Pin
49	199800			4	Spring
	199810	4	4		Spring
50	435070	1	1	1	Base - L.H.
51	144450			2	Screw
52	201972			1	Lever
53	400082			1	Bracket
54	128212			1	Nut
55	400811			1	Engine
	201961		1		Engine
	201919	1			Engine
56	400808			1	Fuel Line
57	200397			1	Primer Bulb
58	116701			4	Clamp
59	400810			1	Fuel Line
60	128220	4	4	4	Nut
61	176530	4	4	4	Washer
62	200398			1	Connector
63	200395			1	Disconnecter
64	200392			1	Fuel Tank
65	174440	4	4	4	Washer
66	119800			4	Bolt
	119810		4		Bolt
	119820	4			Bolt

( ) Oversized Wear Ring