

Monarch - NG SERIES

Irrigation & Utility Pumps (Gas Engine Driven)

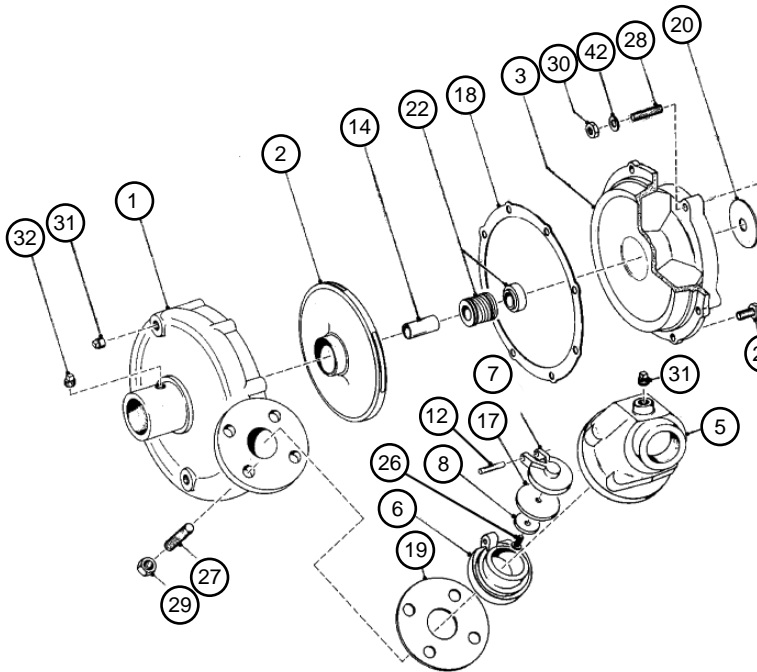
NG2-1/2 M9S

RIVER BEND



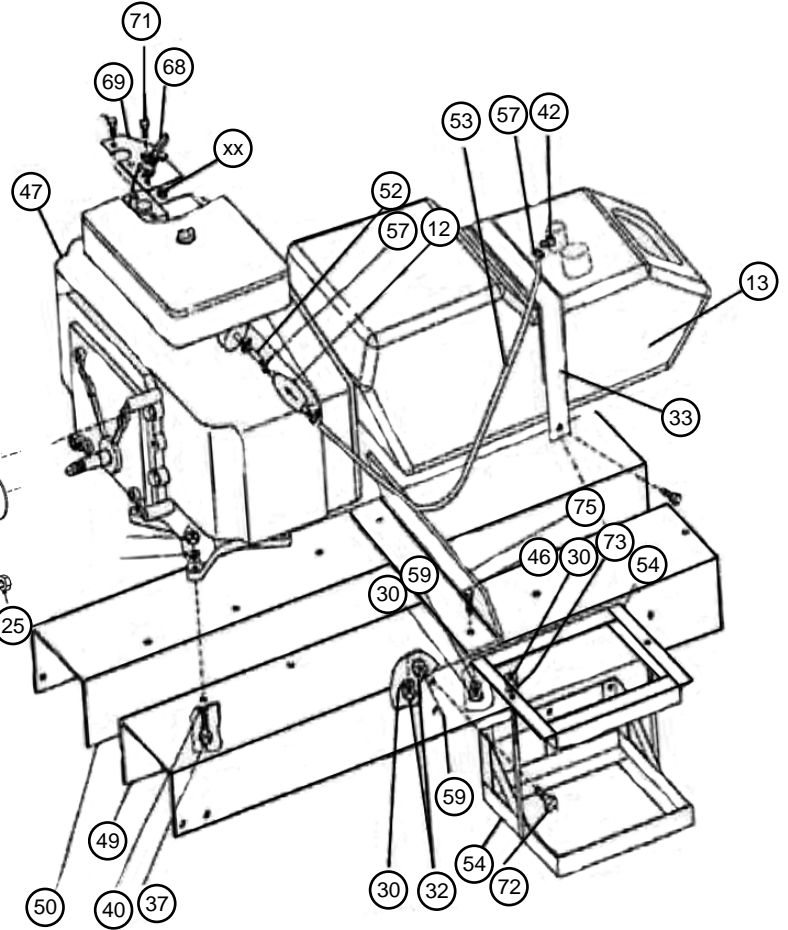
INDUSTRIES

Moorhead, MN 56560
218-236-1818
800-365-3070
www.riverbendind.com



a) NG2-1/2 M9S-18B Type C

b) NG2-1/2 M9S-18B Type D



c) NG2-1/2 M9S-18V Type D

d) NG2-1/2 M9S-18V Type E

Ref.#	Code #	a	b	c	d	Description
1**	400004	1	1			Casing
1	400414			1	1	Casing
2	400293	1	1	1	1	Impeller
3	400305		1	1	1	Engine Adapter
3	400292	1				Engine Adapter
5	400055	1	1			Valve Body
6	400062	1	1			Valve Seat
7*	400068	1	1			Flapper
8*	000075	1	1			Washer
11*	400121	1	1	1	1	Wear Ring
12	200397	1	1	1		Fuel Primer Bulb
13	200548	1	1	1		Fuel Tank
14*	400138	1	1	1	1	Sleeve
15*	400081	1	1			Valve Pin
17*	190835	1	1			Flapper
18*	190838	1		1	1	Gasket
19*	190842	1	1			Gasket
20*	190849	1	1	1	1	Flinger
22*	240070	1	1	1	1	Seal MS-7
25	226420	8	8	8	8	Bolt
26*	145860	1	1			Machine Screw
27	170960	4	4			Stud
28	164631	4	4	4	4	Stud
29	227870	4	4			Nut
30	227830	16	16	16	10	Nut
31	185620	4	4	3	3	Pipe Plug
32	185630	1	1	1	1	Pipe Plug
33	400815	1	1	1		Tank Strap

Ref.#	Code #	a	b	c	d	Description
37	226000	4				Bolt
37	226010		4	4	4	Bolt
38	227820	4	4	4	4	Nut
39	176220	4	4	4	4	Spring Washer
40	174440	4	4	4	4	Plain Washer
42	195185	1	1	1		Adapter
46	226210	6	6	6		Bolt
47	201934		1	1		Engine B/S #350447
47	201971	1				Engine B/S #422437
47	201941				1	Engine B/S #356447
49	400816	1	1	1		L/H Channel Assembly
49	400818				1	L/H Channel Assembly
50	400806	1	1	1		R/H Channel Assembly
50	400817				1	R/H Channel Assembly
52	400808	1	1	1		Fuel Line
53*	400809	1	1	1		Fuel Line
54	435480	1	1	1	1	Battery Holder Support
56	435485	1	1	1	1	Battery Cover
57	116701	4	4	4		Hose Clamp
59	176230	6	6	6	4	Spring Washer
67	194867	A/R	A/R	A/R		Rubber Strip
68	201972	1				Throttle Control Lever
69	400082	1				Throttle Bracket Support
71	144450	2				Machine Screw
72	226210	4	4	4	4	Bolt
73	174986	2	2	2	2	Plain Washer
75	400814	1	1	1		L-Bracket