

Monarch - NH SERIES

Centrifugal Pumps

NH3M12P, NH3M12S, NH4M12P, NH4M12S, NH5M12P, NH5M12S, NH4M13P, NH4M13S

(Types A, B & C)

RIVER BEND



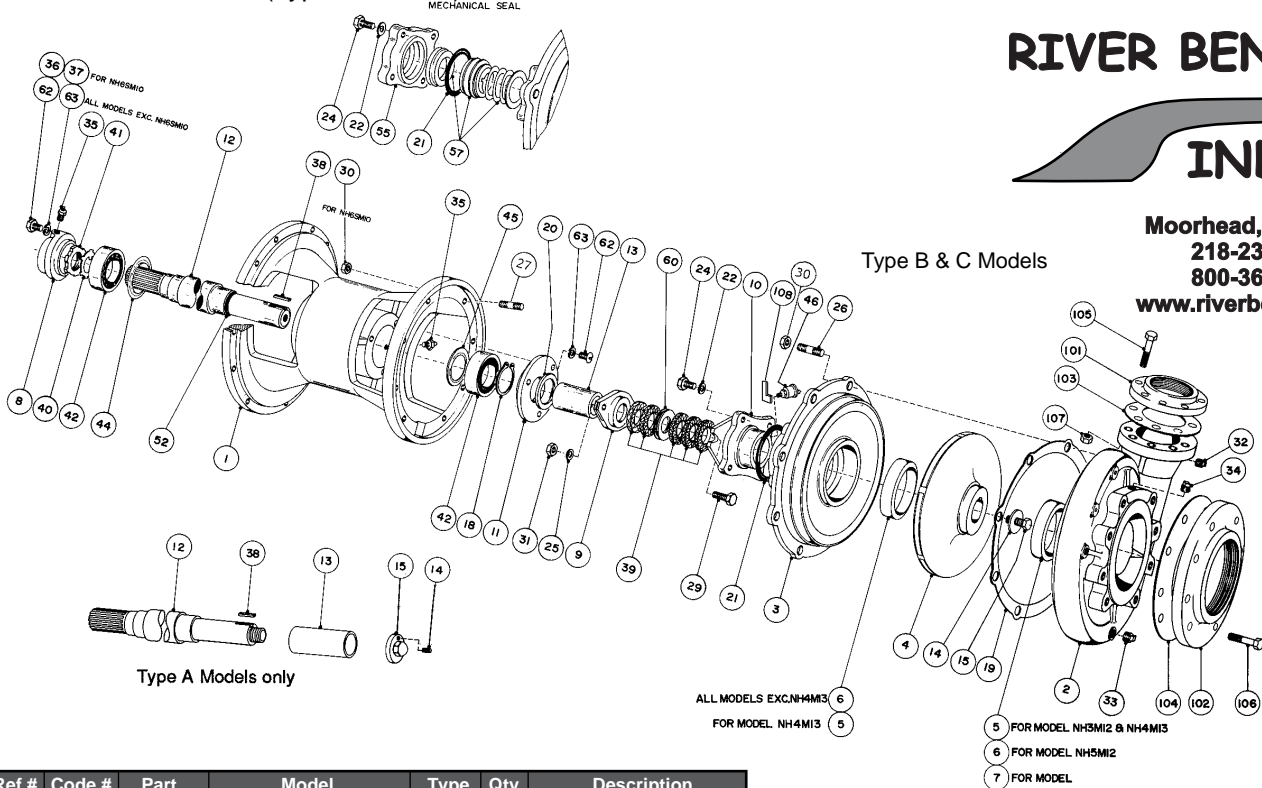
INDUSTRIES

Moorhead, MN 56560

218-236-1818

800-365-3070

www.riverbendind.com



Ref.#	Code #	Part	Model	Type	Qty.	Description
1	427071	205H-208	All Models with SAE3/2	A,B,C	1	Adapter SAE3
1	427070	205H-8	All Models with SAE4	A,B,C	1	Adapter SAE4
2	426531	203-202	3M12P, 3M12S	A,B,C	1	Casing
2	426601	204-202	4M12P, 4M12S	A,B,C	1	Casing
2	426845	205-202	5M12P, 5M12S	A,B,C	1	Casing
2	426560	NO472	4M13P, 4M13S	A,B,C	1	Casing
3	426850	205-203	All Models excl. 4M13	A,B,C	1	Adapter
3	426561	NO473	4M13P, 4M13S	A,B,C	1	Adapter
4	426542	203-504-1	3M12P, 3M12S	A,B,C	1	Trimmed Impeller-Indicate Imp. Dia. req'd
4	426612	204-504-1	4M12P, 4M12S	A,B,C	1	Trimmed Impeller-Indicate Imp. Dia. req'd
4	426564	NO474-1	4M13P, 4M13S	A,B,C	1	Trimmed Impeller-Indicate Imp. Dia. req'd
4	426866		5M12P, 5M12S	A,B,C	1	Trimmed Impeller-Indicate Imp. Dia. req'd
* 5	426550	203-28	4M13P, 4M13S	A,B,C	2	Wear Ring
* 5	426550	203-28	3M12P, 3M12S	A,B,C	1	Wear Ring
* 6	426930	205-27	3M12P, 3M13S	A,B,C	1	Wear Ring
* 6	426930	205-27	5M12P, 5M12S	A,B,C	2	Wear Ring
* 6	426930	205-27	4M12P, 4M12S	A,B,C	1	Wear Ring
* 7	426630	204-28	4M12P, 4M12S	A,B,C	1	Wear Ring
8	426740	205-7	All Models	A,B,C	1	End Cover
9	426620	204-9	All Models, Pk.	A,B,C	1	Split Water Gland
10	430501	205-24	All Models, Pk.	A,B,C	1	Stuffing Box
11	419980	40MH-11	All Models	A,B,C	1	Cover
12**	433793	205H-312	All Models	A,B,C	1	Shaft
13	400254	N0454-1	All Models	B & C	1	Sleeve
13	400253	N0453	All Models	A	1	Sleeve
14	400104	N0204	All Models	B	1	Washer
14	152090		All Models	A	1	Set Screw
15	125795		All Models	C	1	Bolt
15	226641		All Models	B	1	Locking Bolt
15	426890	205-115	All Models	A	1	Impeller Nut
18	138100		All Models	A,B,C	1	Retain Ring
19	191915	204-16	4M13P, 4M13S	A,B,C	1	Gasket
19	191920	205-16	All Models excl. 4M13	A,B,C	1	Gasket
20	191950	205-19	All Models	A,B,C	1	Flinger
21	198740		All Models	A,B,C	1	'O' Ring

Ref.#	Code #	Part	Model	Type	Qty.	Description
22	176540		All Models	A,B,C	4	Spring Washer
24	120020		All Models	A,B,C	4	Bolt
25	174986		All Models, Pk.	A,B,C	2	Plain Washer
26	170641		All Models	A,B,C	8	Stud
27	165251		All Models	A,B,C	8	Stud
29	226260		All Models, Pk.	A,B,C	2	Bolt
30	227850		All Models	A,B,C	16	Hex. Nut
31	227830		All Models, Pk.	A,B,C	2	Hex. Nut
32	185620		All Models	A,B,C	1	Pipe Plug
33	185630		All Models	A,B,C	2	Pipe Plug
34	185640		All Models	A,B,C	2	Pipe Plug
35	110680		All Models	A,B,C	2	1/8" NPT Str. Grease Ftg.
38	432312		All Models	A,B,C	1	Key
39	432260		All Models, Pk.	A,B,C	5	3/8" x 3/8" Packing
40	111200	W09	All Models	A,B,C	1	Bearing Lock Washer
41	110800	N09	All Models	A,B,C	1	Bearing Lock Nut
42	110060	3209	All Models	A,B,C	2	Ball Bearing
44	110011	3209JV	All Models	A,B,C	1	Nilos Ring
45	110002	3209AJ	All Models	A,B,C	1	Nilos Ring
46	110640		All Models, Pk.	A,B,C	1	Spring Loaded Grease Cup
52	198010		All Models	B	1	'O' Ring
55	400257	N0457	All Models, MS	A,B,C	1	Seal Seat Cover
57	240120	MS12	All Models, MS	A,B,C	1	Mech. Seal
60	430501	205-110	All Models, Pk.	A,B,C	1	Lantern Ring
62	119780		All Models	A,B,C	6	Bolt
63	176530		All Models	A,B,C	6	Spring Washer
101	400750	CF-3	3M12	A,B,C	1	Flange
101	400760	CF-4	4M12, 4M13	A,B,C	1	Flange
101	400770	CF-5	5M12	A,B,C	1	Flange
102	400760	CF-4	3M12	A,B,C	1	Flange
102	400770	CF-5	4M12, 4M13	A,B,C	1	Flange
102	400780	CF-6	5M12	A,B,C	1	Flange
103	190910	HP3E-17	3M12	A,B,C	1	Gasket
103	191910	203-17	4M12, 4M13	A,B,C	1	Gasket
103	191930	205-17	5M12	A,B,C	1	Gasket
104	191910	203-17	3M12	A,B,C	1	Gasket
104	191940	205-18	4M12, 4M13	A,B,C	1	Gasket
104	191930	205-17	5M12	A,B,C	1	Gasket
105	125070		3M12	A,B,C	4	Bolt
105	125070		4M12, 4M13	A,B,C	8	Bolt
105	125280		5M12	A,B,C	8	Bolt
106	125040		3M12	A,B,C	8	Bolt
106	125240		4M12, 4M13	A,B,C	8	Bolt
106	125250		5M12	A,B,C	8	Bolt
107	128470		3M12	A,B,C	4	Hex. Nut
107	128470		4M12, 4M13	A,B,C	8	Hex. Nut
107	128490		5M12	A,B,C	8	Hex. Nut
108	189730		All Models	A,B,C	1	Fitting Elbow

IMPORTANT: When ordering parts, specify model, type, code and part number.

*Suggested parts to stock.

** See Note 2

NOTE 1: Ref. Nos. 101, 102, 103, 104, 105, 106 and 107 are not included with pumps, but can be purchased from our stock.

NOTE 2: Type A Shaft and type B shaft no longer available. Order the following parts: 433793 shaft, 400254 sleeve, 400104 washer, 125795 bolt, 432312 key, 198010 o-ring.

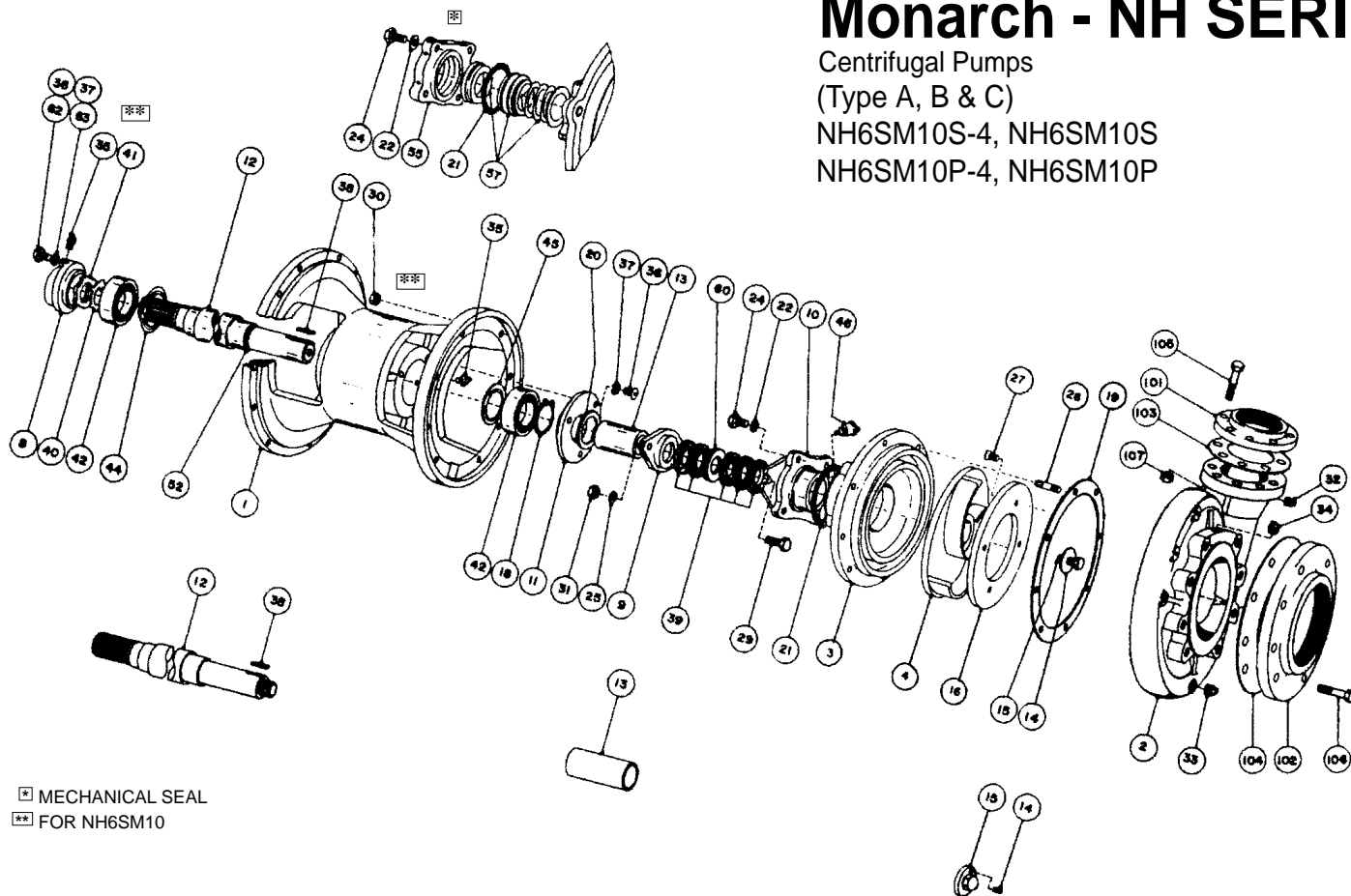
Monarch - NH SERIES

Centrifugal Pumps

(Type A, B & C)

NH6SM10S-4, NH6SM10S

NH6SM10P-4, NH6SM10P



NOTE 1: Ref. Nos. 101, 102, 103, 104, 105, 106 and 107 are not included with pumps, but can be purchased from our stock.

NOTE 2: Type A Shaft and type B shaft no longer available. Order the following parts: 433793 shaft, 400254 sleeve, 400104 washer, 125795 bolt, 432312 key, 198010 o-ring.

A = NH6SM10S

B = NH6SM10S-4

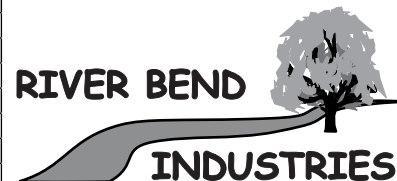
C = NH6SM10P

D = NH6SM10P-4

Ref.#	Code #	A	B	C	D	Description
1	427071	1	1			Adapter SAE 2 & 3
1	427070		1		1	Adapter SAE 4
2	425845	1	1	1	1	Casing
3	425855	1	1	1	1	Adapter Plate
4	425870	1	1	1	1	Impeller-Full Dia. 10"
4	-	1	1	1	1	Trimmed Impeller (See note 4)
7	426740	1	1	1	1	End Cover
9	426620			1	1	Pk.1 Split Water Gland
10	426900			1	1	Stuffing Box
11	419980	1	1	1	1	End Cover
12	433793	1	1	1	1	Shaft Type A, B, C
*13	400254	1	1	1	1	Sleeve Type B & C
*13	400253	1	1	1	1	Sleeve Type A
14	400104	1	1	1	1	Washer Type B & C
14	152090	1	1	1	1	Set Screw Type A
*15	125795	1	1	1	1	Bolt 1/2 UNC x 1 1/4 Type C
*15	226641	1	1	1	1	Locking Bolt Type B
*15	426890	1	1	1	1	Impeller Nut Type A
*16	425880	1	1	1	1	Wear Plate
18	138100	1	1	1	1	Retaining Ring
19	191850	1	1	1	1	Gasket
*20	191950	1	1	1	1	Flinger
*21	198740	1	1	1	1	"O" Ring
22	176540	4	4	4	4	Spring Washer 3/8
24	120020	4	4	4	4	Bolt 3/8 UNC x 1 1/4
25	174986			2	2	Plain Washer
26	165260	8	8	8	8	Stud

Ref.#	Code #	A	B	C	D	Description
27	143980	4	4	4	4	Machine Screw
29	226260			2	2	Bolt
30	128250	8	8	8	8	Hex. Nut
31	227830			2	2	Hex. Nut
32	185620	2	2	2	2	Pipe Plug 1/4 NPTF
33	185630	3	3	3	3	Pipe Plug 3/8 NPTF
34	185650	2	2	2	2	Pipe Plug 3/4 NPTF
35	110680	2	2	2	2	1/8 NPT Str. Grease Ftg.
36	119780	6	6	6	6	Bolt 5/16 x 1
37	176530	6	6	6	6	Spring Washer 5/16
38	432312	1	1	1	1	Key Type C
38	432110	1	1	1	1	Key Type B
38	432289	1	1	1	1	Key Type A
*39	432260			5	5	3/8 x 3/8 Packing
40	111200	1	1	1	1	Bearing Lock Washer
*41	110800	1	1	1	1	Bearing Lock Nut
*42	110060	2	2	2	2	Ball Bearing
*44	110011	1	1	1	1	Nilos Ring
*45	110002	1	1	1	1	Nilos Ring
46	110640			1	1	Grease Cup
52	198910	1	1	1	1	"O" Ring Type B & C
55	400257	1	1			Seal Cover
*57	240120	1	1			Mech. Seal
60	430501			1	1	Lantern Ring
101	400780	1	1	1	1	Flange
102	400780	1	1	1	1	Flange
103	191930	1	1	1	1	Gasket
104	191930	1	1	1	1	Gasket
105	125280	8	8	8	8	Bolt
106	125240	8	8	8	8	Bolt
107	128490	8	8	8	8	Nut

IMPORTANT: When ordering parts, specify model, type and code number. When ordering an impeller, indicate impeller diameter required.
*Suggested parts to stock.



Moorhead, MN 56560
218-236-1818
800-365-3070
www.riverbendind.com

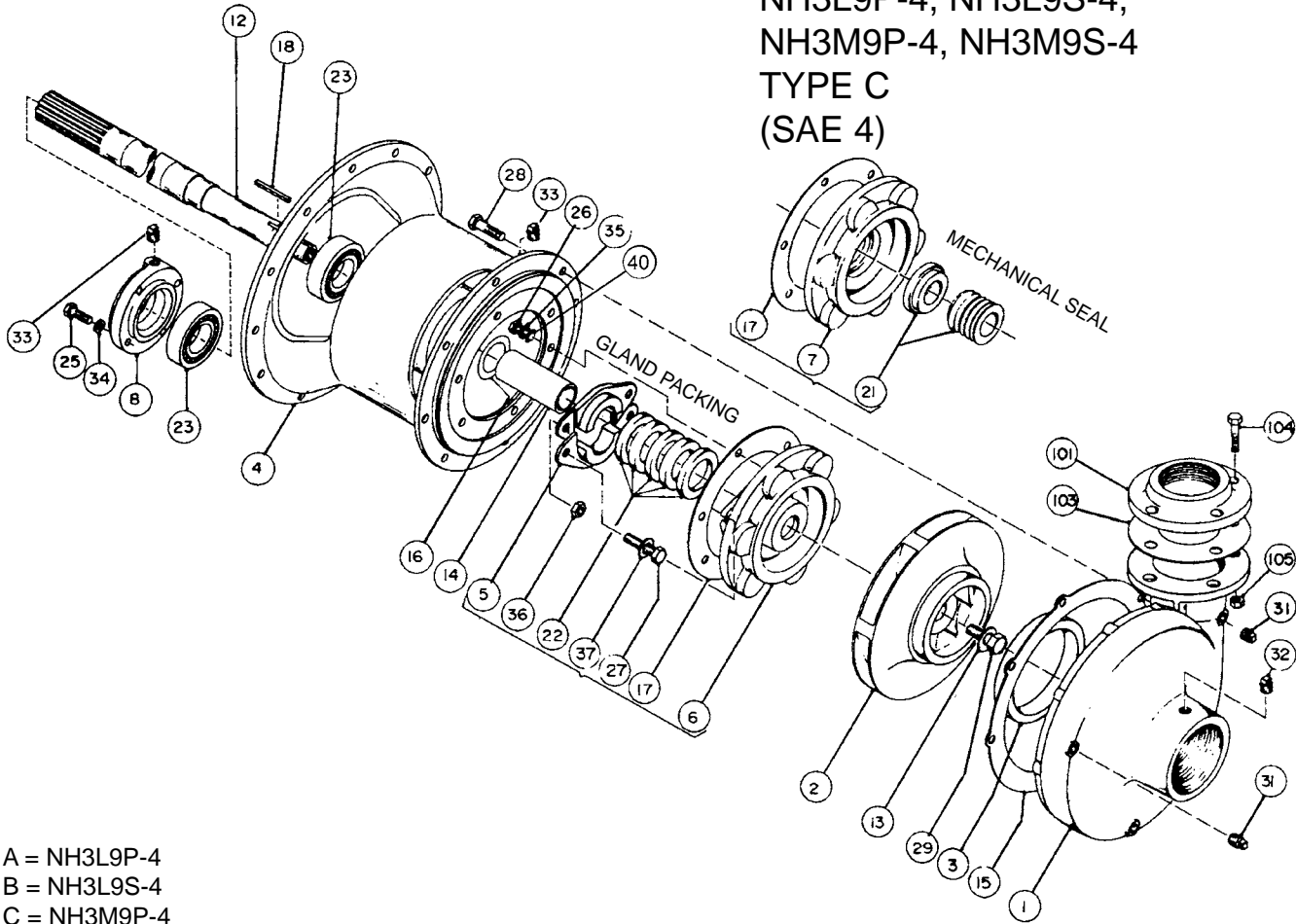
Monarch - NH SERIES

NH3L9P-4, NH3L9S-4,

NH3M9P-4, NH3M9S-4

TYPE C

(SAE 4)



A = NH3L9P-4

B = NH3L9S-4

C = NH3M9P-4

D = NH3M9S-4

Ref.#	Code #	A	B	C	D	Description
1	400260	1	1	1	1	Casing
2	400272	1	1			Impeller, 9.00 Dia.
2	400273			1	1	Impeller, 9.00 Dia. (Model Type C)
2	-	1	1	1	1	Trimmed impeller (See note)
3	190121	1	1	1	1	Wear ring
4	419971	1	1	1	1	Adapter, SAE 4
5	400203	1		1		Water gland set split
6	400206	1		1		Packing cover
7	400418		1		1	Seal cover
8	426211	1	1	1	1	End cover
12	400266	1	1	1	1	Shaft (Model Type C) (Note 5)
13	400199	1	1	1	1	Washer
*14	266012	1	1	1	1	Sleeve
*15	190838	1	1	1	1	Gasket
*16	190849	1	1	1	1	Flinger
*17	190851	1	1	1	1	Gasket

Ref.#	Code #	A	B	C	D	Description
18	432082	1	1	1	1	Key (Model Type C)
18	432085	1	1	1	1	Key
*21	240090		1		1	Mechanical seal
*22	432560	5		5		Packing ring
*23	110245	2	2	2	2	Ball bearing
25	119530	4	4	4	4	Bolt 1/4 UNC x 3/4
26	119780	6	6	6	6	Bolt 5/16 UNC x 1
27	120050			2		Bolt 3/8 UNC x 2
28	120238	8	8	8	8	Bolt 7/16 UNC x 1
29	226421	1	1	1	1	Bolt 7/16 UNC x 1 SST
31	185620	3	3	3	3	Pipe plug 1/4 NPTF
32	185640	2	2	2	2	Pipe plug 1/2 NPTF
33	185610	2	2	2	2	Pipe plug 1/8 NPT
34	176520	4	4	4	4	Spring washer 1/4
35	176530	6	6	6	6	Spring washer 5/16
36	128230	2		2		Nut 3/8 UNC
37	174450	2		2		Washer 3/8
40	174990		6		6	Washer Plain 5/16
101	400750	1	1	1	1	Flange
103	190910	1	1	1	1	Gasket
104	227070	4	4	4	4	Bolt 5/8 UNC x 2-1/2 ZN
105	227870	4	4	4	4	Nut 5/8 ZN

IMPORTANT: When ordering parts, specify model, type and code number. When ordering an impeller, indicate impeller diameter required.

*Suggested parts to stock.

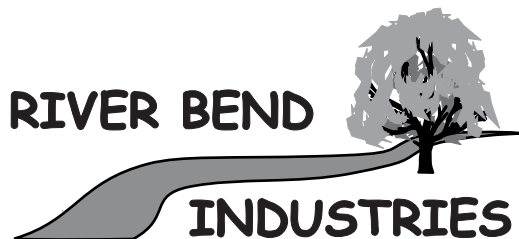
NOTE 1 - Specify trim size (less than 9.00 dia.).

NOTE 2 - Bronze, I.D. - .020" smaller.

NOTE 3 - For other than water applications, contact factory.

NOTE 4 - Ref. No.'s 101, 103, 104 & 105 are not included in the pump, but may be purchased from our stock.

NOTE 5 - When replacing shaft Type A & B, order type C shaft, impeller and key.

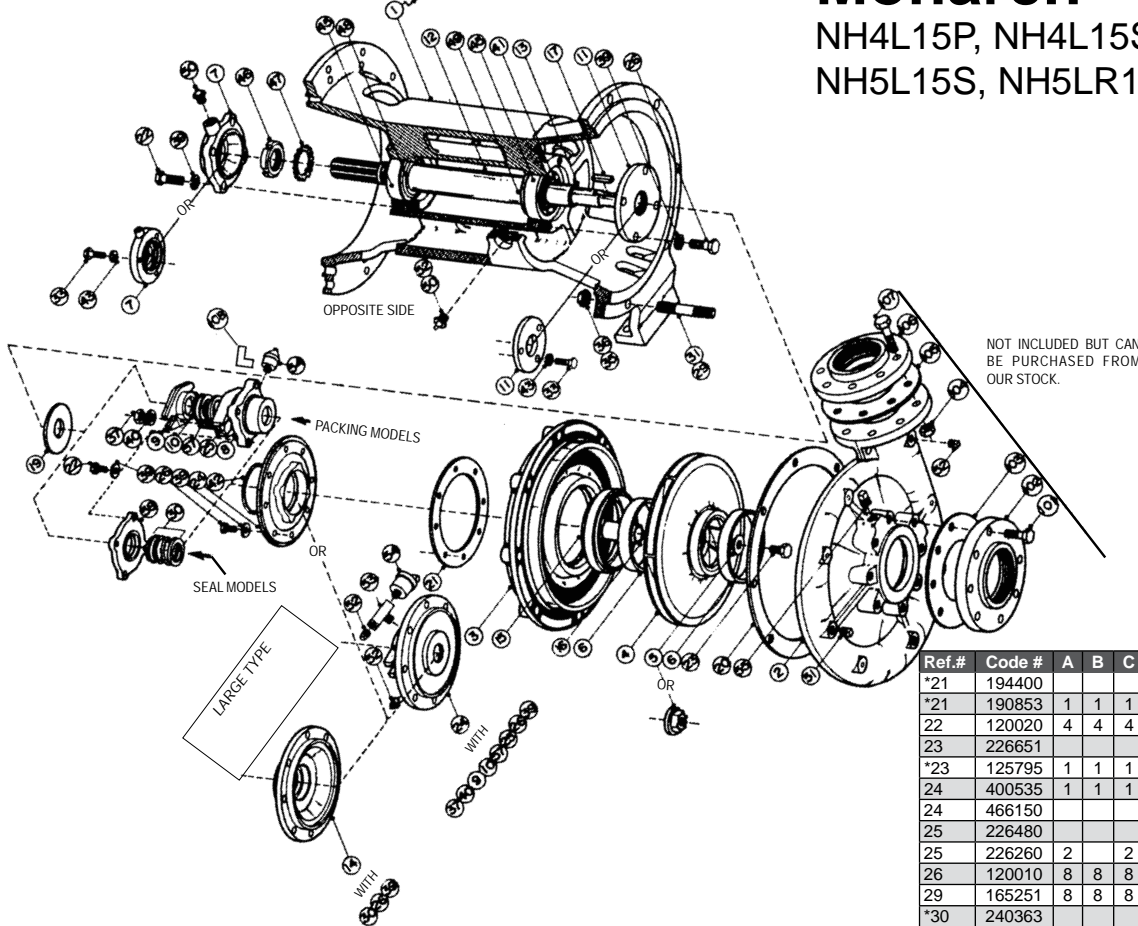


Moorhead, MN 56560
218-236-1818
800-365-3070
www.riverbendind.com

DEPENDENT ON YOUR MODEL, #1 MAY
LOOK SLIGHTLY DIFFERENT.

Monarch - NH SERIES

NH4L15P, NH4L15S, NH5L15P,
NH5L15S, NH5LR15P, NH5LR15S



IMPORTANT:
When ordering parts, specify model, type and code no.
When ordering "trimmed impellers", indicate impeller diameter.
*Suggested parts to stock.
NOTE 1 - Specify trim size.
NOTE 2 - Bronze, I.D. .020 smaller.
NOTE 3 - For other than water applications, contact factory.

SMALLER MODELS:

- NH4L15P-4
 - NH4L15S-4
 - NH4L15P-2/3
 - NH4L15S-2/3
 - NH5LR15P-4
 - NH5LR15S-4
 - NH5LR15P-2/3
 - NH5LR15S-2/3
- A = NH4L15P-4
 - B = NH4L15S-4
 - C = NH4L15P-2/3
 - D = NH4L15S-2/3
 - E = NH5L15P-2/3
 - F = NH5L15S-2/3
 - G = NH5LR15P-4
 - H = NH5LR15S-4
 - I = NH5LR15P-2/3
 - J = NH5LR15S-2/3

LARGE MODELS:

- NH5L15P-2/3
- NH5L15S-2/3

Ref.#	Code #	A	B	C	D	E	F	G	H	I	J	Description
1	466082					1	1					Adapter SAE 2/3
1	427071			1	1						1	Adapter SAE 2/3
1	427070	1	1					1	1			Adapter SAE 4
2	400520					1	1	1	1	1	1	Casing 5 x 6
2	400519	1	1	1	1							Casing 4 x 5
3	400534	1	1	1	1			1	1	1	1	Seal plate (205)
3	400533					1	1					Seal plate (206)
4	400541	1	1	1	1							Impeller 15.10 Dia.
4	400525							1	1	1	1	Impeller 15.09 Dia.
4	400522					1	1					Impeller 15.09 Dia.
4		See note 1 / Voir rem. 1 / Ver nota 1										Trimmed impellers
5	466049					1	1					Impeller nut
5	400104	1	1	1	1			1	1	1	1	Steel washer 1 7/8
6	400538	2	2	2	2							Wear ring - Bronze
6	400530					2	2	2	2	2	2	Wear ring - Bronze
6	400539	2	2	2	2							Wear ring - Ductile iron
6	400531					2	2	2	2	2	2	Wear ring - Ductile iron
*6	400408	2	2	2	2							Wear ring - Bronze oversized
*6	400407					2	2	2	2	2	2	Wear ring - Bronze oversized
7	466070					1	1					Bearing cover
7	426740	1	1	1	1			1	1	1	1	Bearing cover
8	426900	1	1	1	1			1	1	1	1	Stuffing box

Ref.#	Code #	A	B	C	D	E	F	G	H	I	J	Description
9	466090					1						Gland set
9	426620	1	1					1			1	Gland set
*10	466100					1						Lantern ring
*10	430501	1	1					1			1	Lantern ring
11	419980	1	1	1	1			1	1	1	1	Bearing cover
11	466111					1	1					Bearing cover
12	466122					1	1					Shaft
12	433793	1	1	1	1			1	1	1	1	Shaft
13	198010	1	1	1	1			1	1	1	1	"O"-ring
14	466116							1				Seal cover
*15	400537	1	1	1	1							Insert ring
*16	466160					1	1					Sleeve
*16	400254	1	1	1	1			1	1	1	1	Sleeve
17	466171					1	1					Key
17	432312	1	1	1	1			1	1	1	1	Key
*19	191951					1	1					Flinger
*19	191950	1	1	1	1			1	1	1	1	Flinger
*20	190852	1	1	1	1	1	1	1	1	1	1	Gasket

Ref.#	Code #	A	B	C	D	E	F	G	H	I	J	Description
*21	194400					1	1					Gasket
*21	190853	1	1	1	1			1	1	1	1	Gasket
22	120020	4	4	4	4	8	8	4	4	4	4	Bolt 3/8 UNC x 1-1/4
23	226651					1	1					Bolt 1/2 UNC x 1-1/2
*23	125795	1	1	1	1			1	1	1	1	Bolt 1/2 UNC x 1-1/4
24	400535	1	1	1	1			1	1	1	1	Seal/Packing cover
24	466150					1						Packing cover
25	226480						2					Bolt 7/16 UNC x 2-1/2
25	226260	2	2					2		2		Bolt 3/8 UNC x 2-1/4
26	120010	8	8	8	8	8	8	8	8	8	8	Bolt 3/8 UNC x 1
29	165251	8	8	8	8			8	8	8	8	Stud 1/2 UNC x 2
*30	240363							1				Seal MS63 (Note 3)
*30	240120		1		1						1	Seal MS12 (Note 3)
31	165921					8	8					Stud 5/8 UNC x 3-3/4
31	165890	8	8	8	8			8	8	8	8	Stud 5/8 UNC x 3
33	119780	6	6	6	6			6	6	6	6	Bolt 5/16 UNC x 1
35	227850	8	8	8	8			8	8	8	8	Nut 1/2 UNC
36	128270	8	8	8	8	8	8	8	8	8	8	Nut 5/8 UNC
37	227840					2						Nut 7/16 UNC
37	227830	2		2				2		2		Nut 3/8 UNC
39	176540	12	12	12	12	16	16	12	12	12	12	Spring washer 3/8
40	174993					2						Washer 7/16
40	174986	2		2				2		2		Washer 3/8
41	138100	1	1	1	1			1	1	1	1	Snap ring
*42	198740	1	1	1	1			1	1	1	1	"O"-ring
*43	176530	6	6	6	6			6	6	6	6	Spring washer 5/16
*45	110400					2	2					Ball bearing 3212/C3
*45	110060	2	2	2	2			2	2	2	2	Ball bearing 3209
*46	110830					1	1					Bearing lock nut N12
*46	110800	1	1	1	1			1	1	1	1	Bearing lock nut N09
*47	111230					1	1					Bearing lock washer W12
*47	111200	1	1	1	1			1	1	1	1	Bearing lock washer W09
*48	110011	1	1	1	1			1	1	1	1	Nilos ring 3209JV
*49	110002	1	1	1	1			1	1	1	1	Nilos ring 3209AV
50	110700					2	2					Grease fitting 1/4 NPT
50	110680	2	2	2	2			2	2	2	2	Grease fitting 1/8 NPT
51	185630	2	2	2	2	2	2	2	2	2	2	Pipe plug 3/8 NPT
52	185620	2	2	2	2	5	3	2	2	2	2	Pipe plug 1/4 NPT
53	200690					1						Tea
54	110650					1						Grease cup
54	110640	1	1					1		1		Grease cup
55	185640	2	2	2	2	2	2	2	2	2	2	Pipe plug 1/2 NPT
*57	465980					5						Packing
*57	432260	5		5				5		5		Packing
58	400257		1		1				1		1	Seal cover
101	227240	8	8	8	8			8	8	8	8	Bolt 3/4 UNC x 2
101	227250					8	8					Bolt 3/4 UNC x 2
102	400770	1	1	1	1	1			1	1	1	Flange
102	400780					1	1					Flange
103	191940	1	1	1	1			1	1	1	1	Gasket
103	191930					1	1					Gasket
104	227870	8	8	8	8			8	8	8	8	Nut 5/8 UNC
104	227890					8	8					Nut 3/4 UNC
105	191910	1	1	1	1			1	1	1	1	Gasket
105	191940					1	1					Gasket
106	400760	1	1	1	1			1	1	1	1	Flange
106	400770					1	1					Flange
107	227070	8	8	8	8			8	8	8	8	Bolt 5/8 UNC x 2-1/2
107	227280					8	8					Bolt 3/4 UNC x 3
108	189730	1		1				1		1		Fitting Elbow

Monarch - NH SERIES

NH6LR15P & NH6LR15S

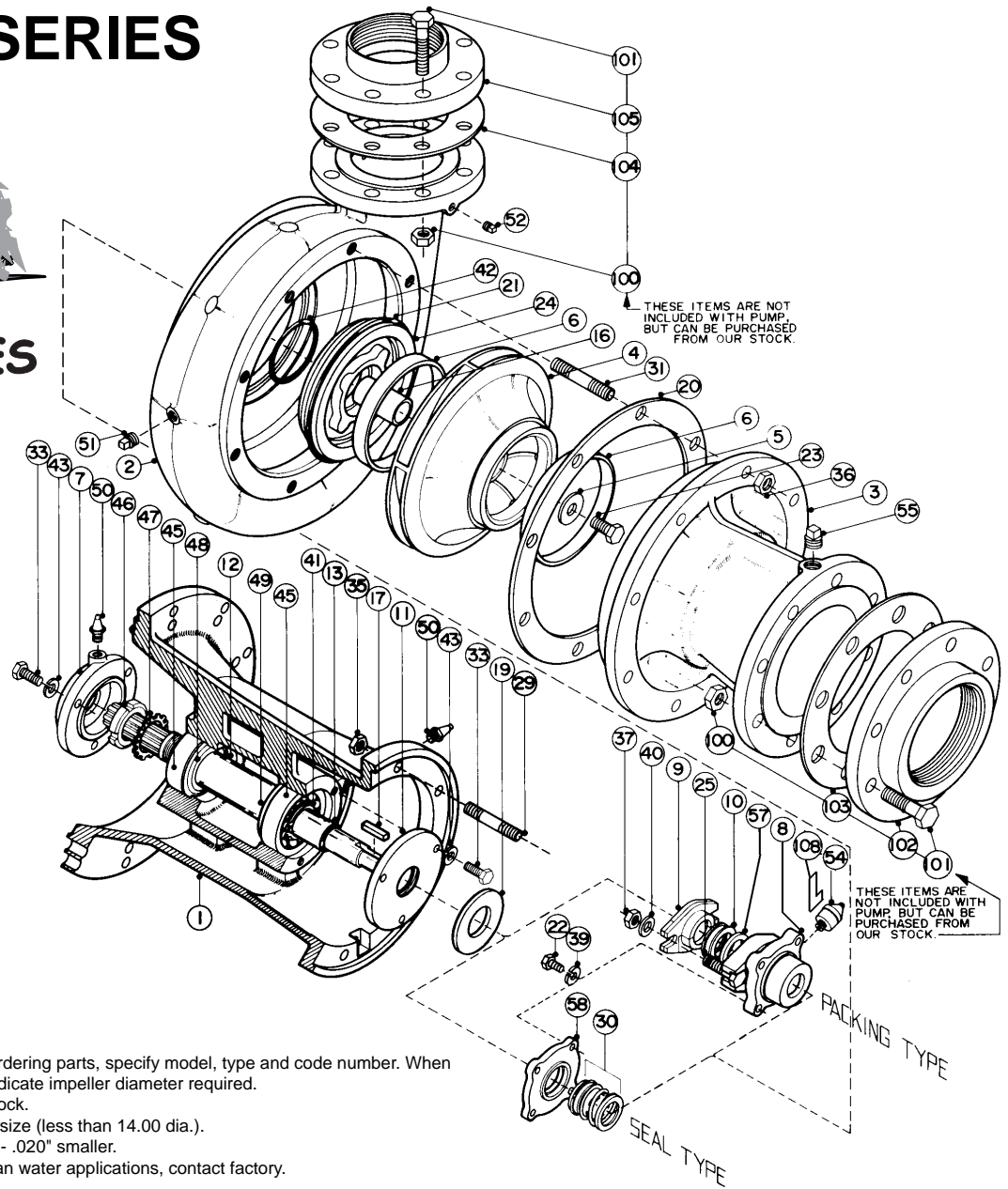
Type A

RIVER BEND



INDUSTRIES

Moorhead, MN 56560
218-236-1818
800-365-3070
www.riverbendind.com



- a) NH6LR15P-4
- b) NH6LR15S-4
- c) NH6LR15P-2 & 3
- d) NH6LR15S-2 & 3

IMPORTANT: When ordering parts, specify model, type and code number. When ordering an impeller, indicate impeller diameter required.

*Suggested parts to stock.

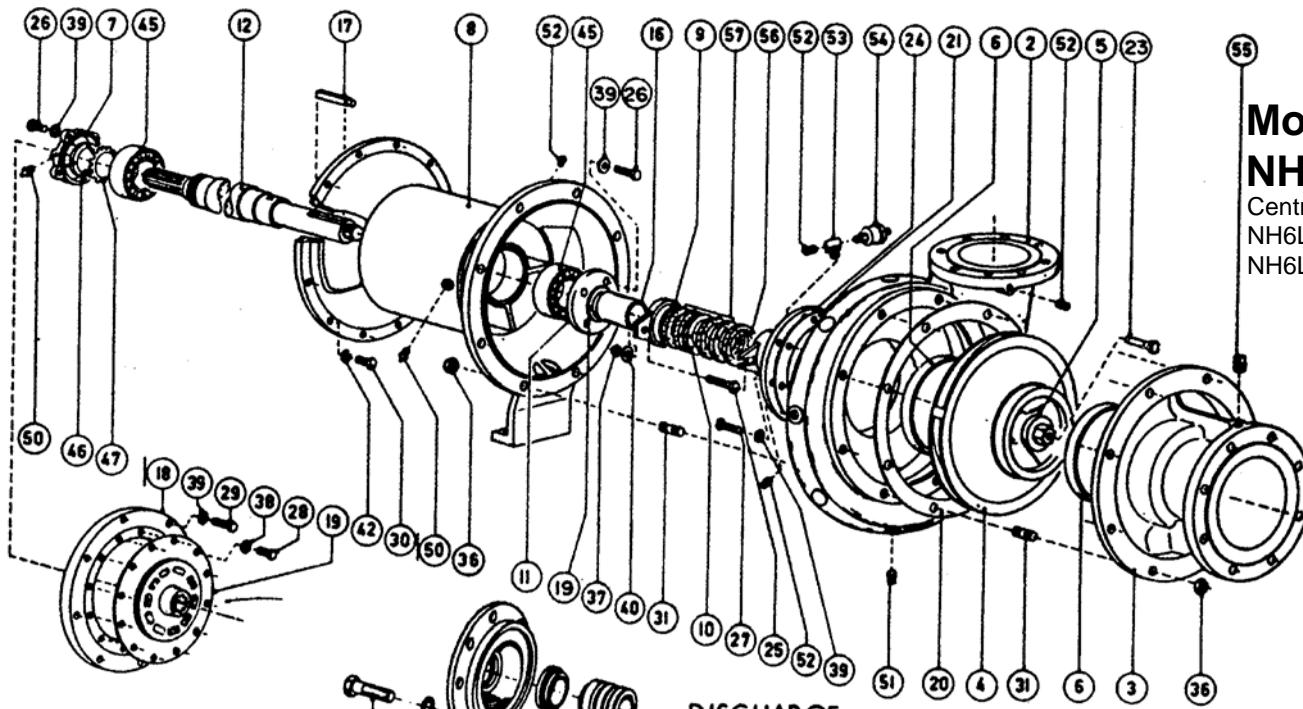
NOTE 1 - Specify trim size (less than 14.00" dia.).

NOTE 2 - Bronze, I.D. - .020" smaller.

NOTE 3 - For other than water applications, contact factory.

Ref.#	Code #	A	B	C	D	Description
1	427070	1	1			Adapter, SAE
1	427071			1	1	Adapter, SAE 2/3
2	466011	1	1	1	1	Casing, 6 x 8
3	466030	1	1	1	1	Suction Adapter
4	466048	1	1	1	1	Impeller, 14.00" DIA.
4	SEE NOTE 1	1	1	1	1	(See note 1)
5	400104	1	1	1	1	Washer
6	466060	2	2	2	2	Wear Ring, Bronze
6	466061	2	2	2	2	Wear Ring, Ductile Iron
6	400406	2	2	2	2	Oversize Wear Ring (Note 2)
7	426740	1	1	1	1	Bearing Cover
8	426900	1	1			Stuffing Box
9	426620	1	1			Split Water Gland
10	430501	1	1			Lantern Ring
11	419980	1	1	1	1	Bearing Cover
12	433793	1	1	1	1	Shaft
13	198010	1	1	1	1	"O" Ring
16	400254	1	1	1	1	Sleeve
17	432312	1	1	1	1	Key
19	191950	1	1	1	1	Flinger
20	194150	1	1	1	1	Gasket
21	198184	1	1	1	1	"O" Ring
22	120020	4	4	4	4	Bolt 3/8 UNC x 1-1/4
23	125795	1	1	1	1	Bolt 1/2 UNC x 1-1/4
24	400550	1	1	1	1	Seal/Packing Cover
25	226260	2	2			Bolt 3/8 UNC x 2-1/4
29	165250	8	8	8	8	Stud 1/2 UNC x 2
30	240120		1		1	Seal - MS12 (NOTE 3)

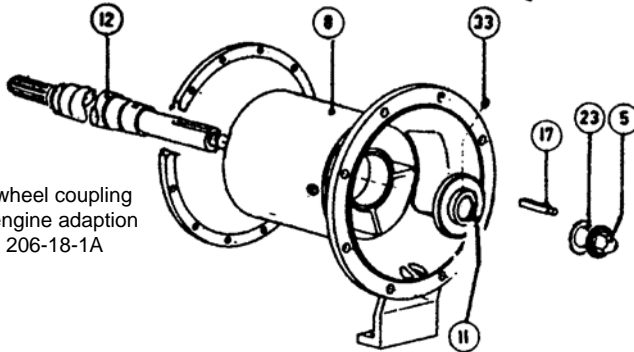
Ref.#	Code #	A	B	C	D	Description
31	165860	8	8	8	8	Stud 5/8 UNC x 2-1/4
33	119780	6	6	6	6	Bolt 5/16 UNC x 1
35	128250	8	8	8	8	Nut 1/2 UNC
36	128270	8	8	8	8	Nut 5/8 UNC
37	227830	2	2			Nut 3/8 UNC
39	176540	4	4	4	4	Spring Washer 3/8"
40	174986	2	2			Plain Washer 3/8"
41	138100	1	1	1	1	Snap Ring
42	198740	1	1	1	1	"O" Ring
43	176530	6	6	6	6	Spring Washer 5/16"
45	110060	2	2	2	2	Ball Bearing, 3209
46	110800	1	1	1	1	Bearing Locknut, NO9
47	111200	1	1	1	1	Bearing Lockwasher, W09
48	110011	1	1	1	1	Nilos Ring, 3209JV
49	110002	1	1	1	1	Nilos Ring, 3209AV
50	110680	2	2	2	2	Grease Fitting 1/8 NPT
51	185640	2	2	2	2	Pipe Plug 1/2 NPT
52	185620	2	2	2	2	Pipe Plug 1-1/4 NPT
54	110640	1	1			Grease Cup 1/4 NPT
55	185650	1	1	1	1	Pipe Plug 3/4 NPT
57	432260	5	5			Packing
58	400257		1		1	Seal Seat Cover
100	128490	16	16	16	16	Nut 3/4 UNC
101	125280	16	16	16	16	Bolt 3/4 UNC x 3
102	400790	1	1	1	1	Flange
103	191840	1	1	1	1	Gasket
104	191930	1	1	1	1	Gasket
105	400780	1	1	1	1	Flange
108	189730	1	1			Fitting elbows



Monarch NH SERIES

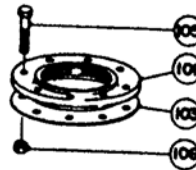
Centrifugal Pumps
NH6L15P, (Types A & B)
NH6L15S (Type C)

NH6L15P-Type A Part Differences

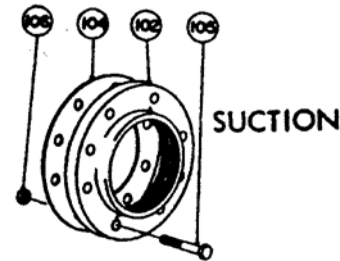
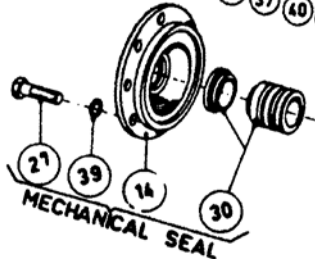


Flywheel coupling
to engine adaption
see 206-18-1A

DISCHARGE



MECHANICAL SEAL



SUCTION

RIVER BEND



INDUSTRIES

*Formerly known as 206HP.

Moorhead, MN 56560
218-236-1818
800-365-3070
www.riverbendind.com

A = NH6L15P(Type A)
B = NH6L15P(Type B)
C = NH6L15S

IMPORTANT:

When ordering parts, specify model
type and code number.

*Suggested parts to stock.

Ref.#	Code #	A	B	C	Description	Ref.#	Code #	A	B	C	Description
2	466010	1	1	1	Casing	26	120020	8	8	8	Bolt, 3/8 UNC x 1-1/4
3	466030	1	1	1	Suction Cover	27	120010	8	8	8	Bolt, 3/8 UNC x 1
4	466040	1	1	1	Impeller	*30	240363			1	Mechanical Seal, 2-1/2, MS-63
5	466050	1			Impeller Nut	31	165860	16	16	16	Stud, 5/8 UNC x 1/2
5	466049		1	1	Impeller Nut	33	148310	2			Set Screw, 5/16 UNC x 1/2
*6	466060	2	2	2	Wear Ring	36	128270	16	16	16	Nut, 5/8 UNC
7	466070	1	1	1	Bearing Cover	37	227840	2	2	2	Nut, 7/16 UNC
8	466080	1			Adapter, SAE 2 & 3	39	176540	16	16	16	Spring Washer, 3/8
8	466082		1	1	Adapter, SAE 2 & 3	40	174993	2	2	2	Plain washer, 7/16
*9	466090	1	1		Gland	*45	110400	2	2	2	Ball Bearing, 3212A/C3
*10	466100	1	1		Lantern Ring	*46	110830	1	1	1	Bearing Locknut, N12
11	466110	1			Deflector	*47	111230	1	1	1	Bearing Lock Washer
11	466111		1	1	Seal Cover	50	110700	2	2	2	Grease Fitting, 1/4 NPT Straight
12	466120	1			Shaft	51	185640	2	2	2	Pipe Plug, 1/2 NPT
12	466122		1	1	Shaft	52	185620	5	5	3	Pipe Plug, 1/4 NPT
14	466116			1	Seal Cover	53	200690	1	1		Male Branch Tee, 3600x4
16	466160	1	1	1	Sleeve	54	110650	1	1		Grease Cup #0, 1/4 NPT
17	466170	1			Key	55	185650	1	1	1	Pipe Plug, 3/4 NPT
17	466171		1	1	Key	*56	465970	1	1		Packing ring, #110M-Lead
19	191951		1	1	Flinger	*57	465980	5	5		Packing ring, #5810-3/8x3/8
*20	194150	1	1	1	Gasket	101	400780	1	1	1	Flange
*21	194400	1	1	1	Gasket	102	400790	1	1	1	Flange
23	175630	1			Locking Washer	103	191930	1	1	1	Gasket
23	226651		1	1	Bolt, 1/2 UNC x 1-1/4	104	191840	1	1	1	Gasket
24	466150	1	1		Packing Cover	105	125280	16	16	16	Bolt, 3/4 UNCx3
25	124480	2	2		Bolt, 7/16 UNC x 2-1/2	106	128490	16	16	16	Nut, 3/4 UNC