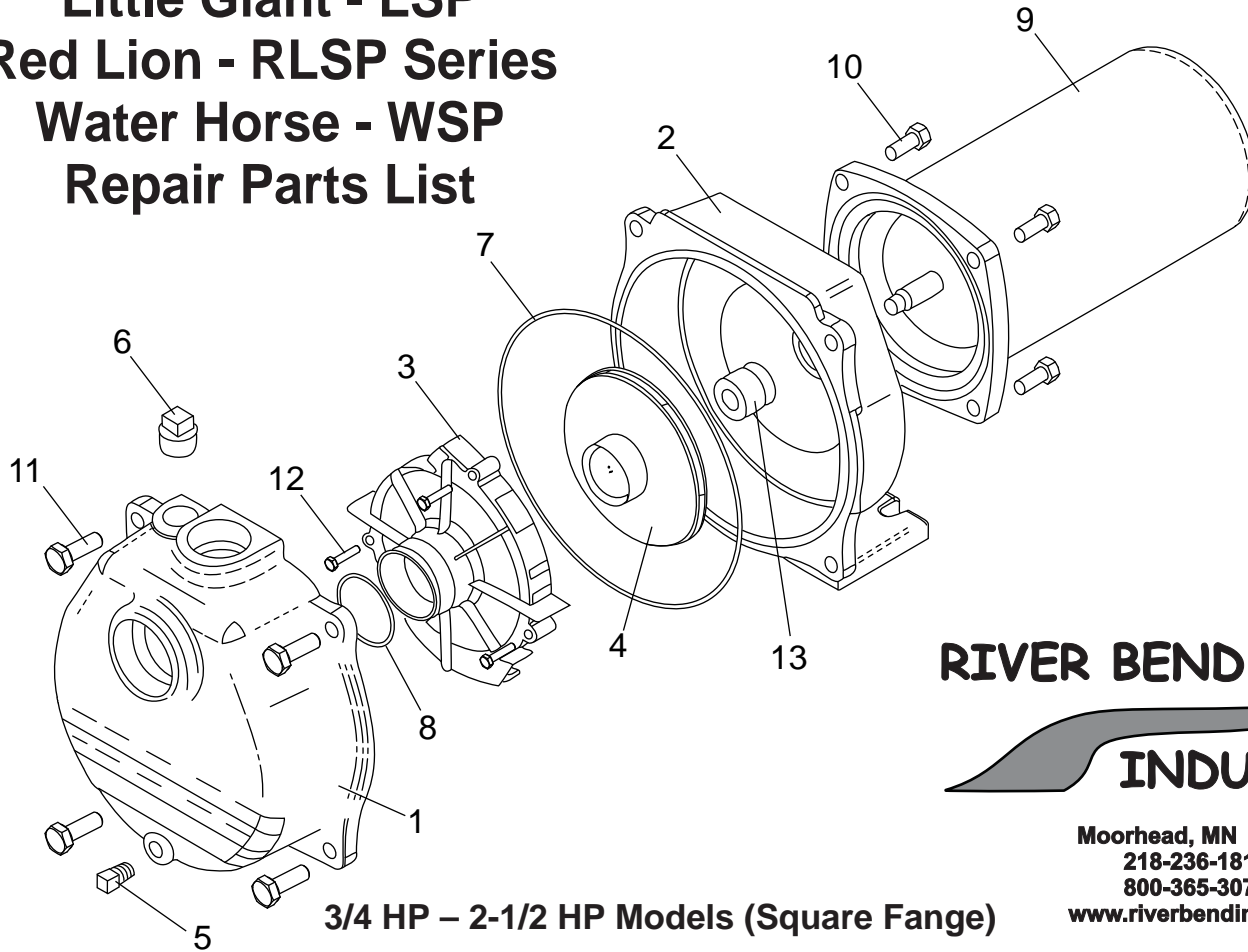
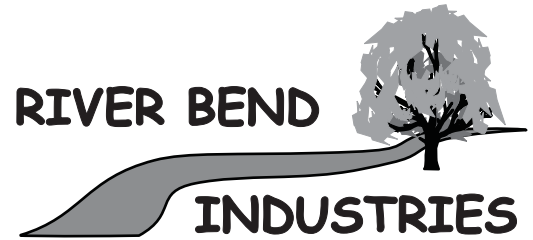


Monarch - SPHE Series Little Giant - LSP Red Lion - RLSP Series Water Horse - WSP Repair Parts List

Lawn and Turf Sprinkler Pumps



3/4 HP – 2-1/2 HP Models (Square Flange)



**Moorhead, MN 56560
218-236-1818
800-365-3070
www.riverbendind.com**

Models

- | | | | | | | | |
|---|---|---|---|------------------------------|------------------------------|--|-----------------------------|
| A) SPHE-S75
RLSP-75
LSP-75-C
WSP07CI | B) SPHE-S100
RLSP-100
LSP-100-C
WSP1CI | C) SPHE-S150
RLSP-150
LSP-S150
WSP15CI | D) -----
RLSP-200
LSP-200-C
WSP2CI | E) SPHE-S200 Type A
----- | F) SPHE-S200 Type B
----- | G) SPHE-S200H

LSPH-200-C
WSP2CI-H | H) -----
RLSP-250 Type B |
|---|---|---|---|------------------------------|------------------------------|--|-----------------------------|

Ref #	Part #	A	B	C	D	E	F	G	H	DESCRIPTION
1	469325	1	1	1	1	1	1	1	1	Casing, Includes 5, 6, 7 and 11
2	469226	1	1	1	1	1	1	1	1	Adapter
3	269227	1	1	1	1	1	1		1	Diffuser
	269228							1		Diffuser High Pressure
4	269232	1								.110 Vane Opening (Plastic) Impeller
	269233		1							.35 Vane Height (Plastic) Impeller 5.25" Dia
	269234			1	1					.41 Vane Height (Plastic) Impeller 5.25" Dia
	269235					1				*.250 Vane Opening (Plastic) Impeller NLA*
	469235					1	1		1	.45 Vane Height (Bronze) Impeller 5.25" Dia
	469236							1		High Pressure (Bronze) Impeller
5	185620	1	1	1	1	1	1	1	1	Plug, 1/4" NPT
6	185650	1	1	1	1	1	1	1	1	Plug, 3/4" NPT
7	191500	1	1	1	1	1	1	1	1	Square Ring
8	198670	1	1	1	1	1	1	1	1	Diffuser O-Ring
9	204125	1								Motor, 3/4 HP, 1PH, 115/230V, sq. Flange
	204154		1							Motor, 1 HP, 1PH, 115/230V, sq. Flange
	204179			1						Motor, 1-1/2 HP, 1PH, 115/230V, sq. Flange
	204184				1					Motor, 2 HP, 1PH, 115/230V, sq. Flange 5/8 Shaft
	204186					1	1	1		Motor, 2 HP, 1PH, 230V, sq. Flange 3/4 Shaft
	204194								1	Motor, 2-1/2 HP, 1PH, 230V, sq. Flange
10	226210	4	4	4	4	4	4	4	4	Bolt, 3/8" UNC x 1"
11	226430	4	4	4	4	4	4	4	4	Bolt, 7/16" UNC x 1-1/4"
12	226431	3	3	3	3	3	3	3	3	Screw, #10-24 UNC x 1"
13	240160	1	1	1	1					Seal, 5/8" diameter
	240106					1	1	1	1	Seal, 3/4" diameter

Repair Kits

3/4 HP Repair Kit 640224
Includes Impeller, Diffuser, Seal, O-Rings

1 HP Repair Kit 640225
Includes Impeller, Diffuser, Seal, O-Rings

1 1/2 HP Repair Kit 640226
Includes Impeller, Diffuser, Seal, O-Rings

2 HP Repair Kit 640227
Includes Impeller, Diffuser, Seal, O-Rings

2 HP High Pressure Repair Kit 640227HP
Includes Impeller, Diffuser, Seal, O-Rings

* When replacing Impeller, order 640227 Repair Kit consisting of 469235 impeller (Bronze) and 240106 seal 3/4" dia., it converts pump into type B.