

MONARCH - TT20 PUMP

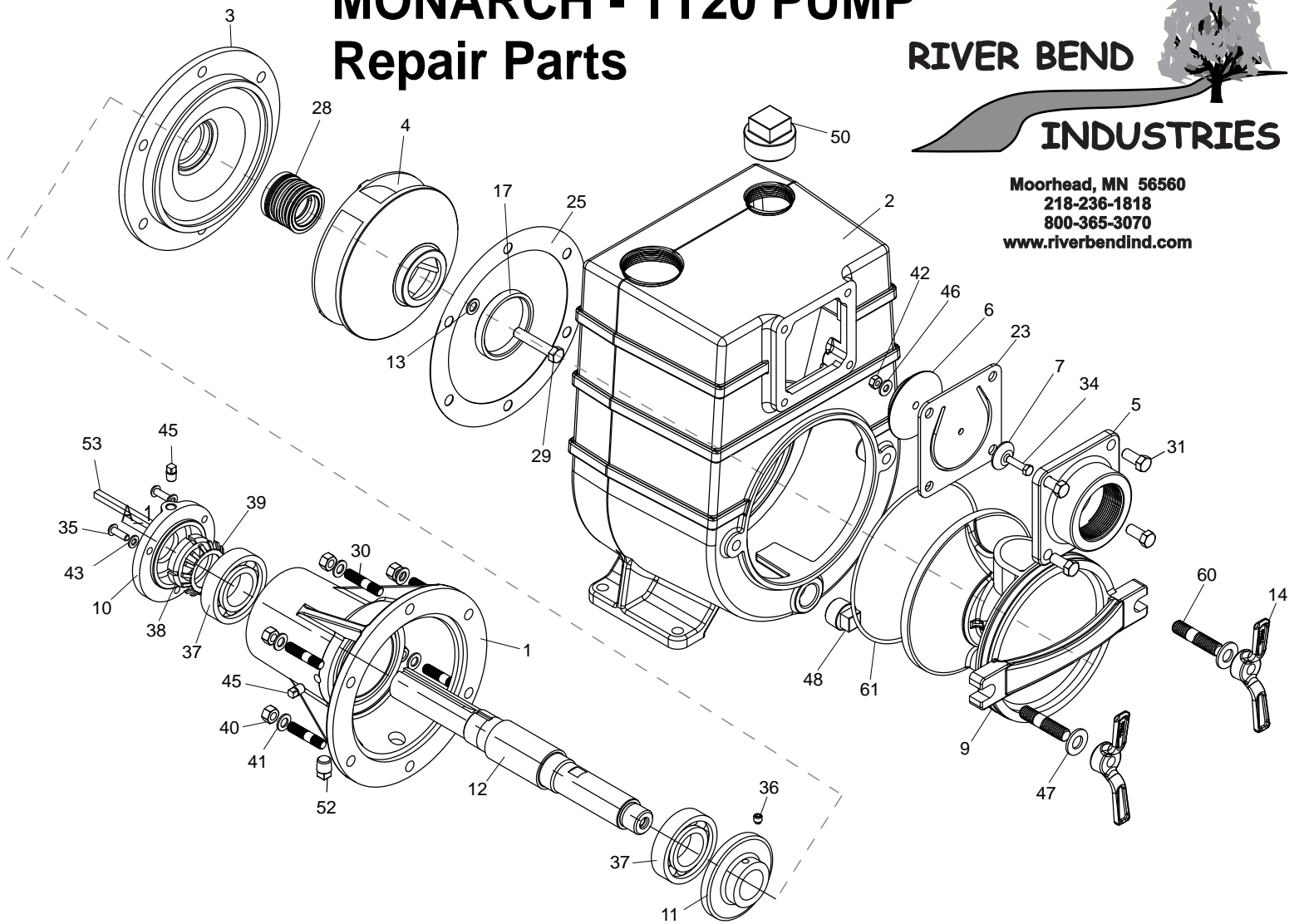
Repair Parts

RIVER BEND



INDUSTRIES

Moorhead, MN 56560
218-236-1818
800-365-3070
www.riverbendind.com



Ref.#	Code #	A	Description
1	414690	1	Transmission Head
2	465000	1	Pump Casing
3	414710	1	Seal Plate
4	465020	1	Impeller
5	465030	1	Intake Check Valve
6	065040	1	Weight
7	013670	1	Weight
9	465050	1	Clean-Out Cover
10	414470	1	Bearing Cover
11	414770	1	Seal Cover
12	414781	1	Shaft
13	175500	1	Washer
14	433910	2	Wing Nut
17	465071	1	Wear Ring
23	191261	1	Valve Rubber
25	191280	1	Gasket
28	240359	1	Seal, 1 1/4" dia.
29	226250	1	Bolt , 3/8" UNC x 2"
30	164641	6	Stud, 3/8" UNC x 1 3/4"
31	120000	4	Bolt, 3/8" UNC x 7/8"

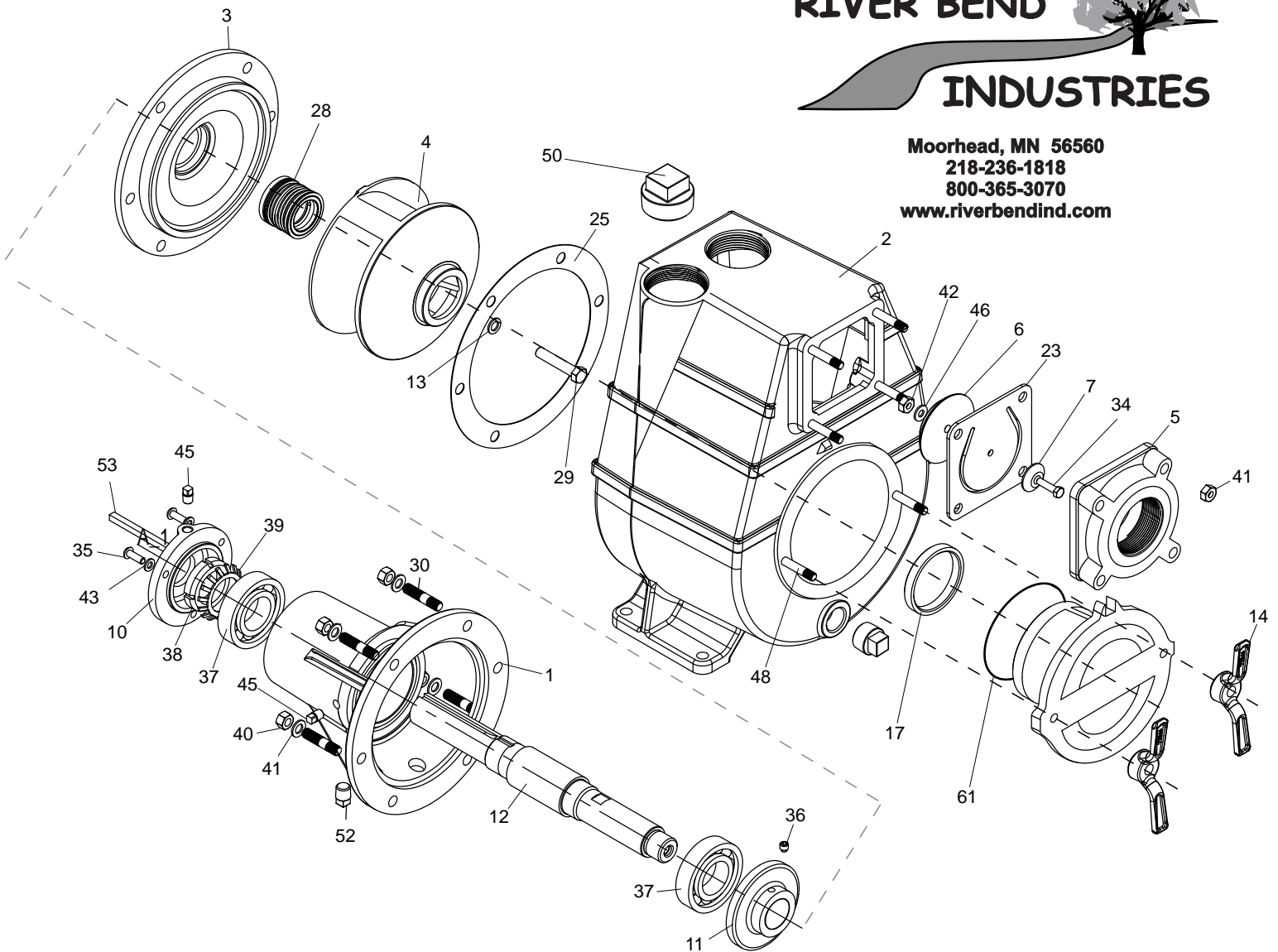
Ref.#	Code #	A	Description
34	225750	1	Bolt, 1/4" UNC x 1"
35	147360	3	Screw, 1/4" UNC x 3/4"
36	148350	1	Set Screw, 5/16" UNC x 3/8"
37	110170	2	Ball Bearing #6207
38	110780	1	Bearing Lock Nut #NO7
39	111180	1	Bearing Lock Washer #WO7
40	227830	6	Nut, 3/8" UNC
41	XXXXX	6	Lock Washer, 3/8"
42	227810	1	Nut, 1/4" UNC
43	176520	3	Spring Washer, 1/4"
45	185610	2	Plug, 1/8" NPT
46	175000	1	Washer Plain 1/4"
47	174470	2	Washer, 9/16"
48	185650	1	Plug, 3/4" NPT
50	185780	1	Plug, 1 1/2" NPT
52	185620	1	Plug, 1/4" NPT
53	432120	1	Key
60	165260	2	Stud, 1/2" UNC x 2 1/4"
61	198990	1	O-Ring
N/S	465080	1	Strainer 2" NPT

MONARCH - TT30 PUMP Repair Parts

**RIVER BEND
INDUSTRIES**



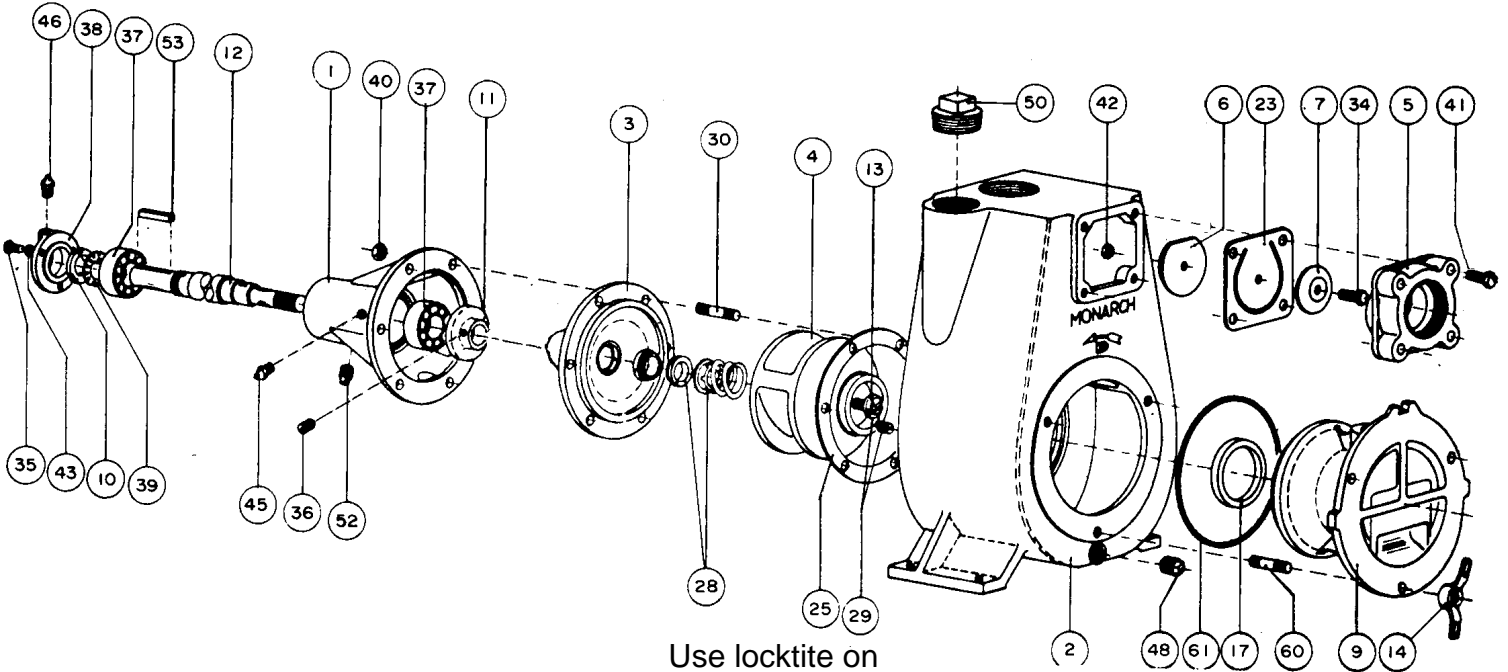
Moorhead, MN 56560
218-236-1818
800-365-3070
www.riverbendind.com



Ref.#	Code #	A	Description
1	416620	1	Transmission Head
2	436660	1	Pump Casing
3	416640	1	Seal Plate
4	433990	1	Impeller
5	416660	1	Intake Check Valve
6	016670	1	Weight
7	013140	1	Weight
9	433900	1	Clean-Out Cover
10	426210	1	Bearing Cover
11	416700	1	Seal Cover
12	416711	1	Shaft
13	174450	1	Washer
14	433910	3	Wing Nut
17	433921	1	Wear Ring
23	191380	1	Valve Rubber
25	191390	1	Gasket
28	240359	1	Seal, 1-1/4" dia.
29	226220	1	Bolt, 3/8" UNC x 1 1/4"
30	165251	6	Stud, 1/2" UNC x 2"

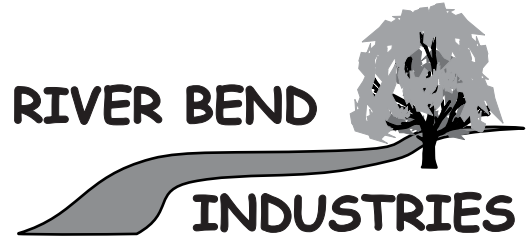
Ref.#	Code #	A	Description
31	165320	4	Stud, 1/2" UNC x 3 1/2"
34	225760	1	Bolt, 5/16" UNC x 1 1/4"
35	147360	4	Screw, 1/4" UNC x 3/4"
36	148350	1	Set Screw, 5/16" UNC x 3/8"
37	110180	2	Ball Bearing #6208- 2RS
38	110790	1	Bearing Lock Nut #NO8
39	111190	1	Bearing Lock Washer #W08
40	227850	6	Nut, 1/2" UNC
41	227850	4	Nut, 1/2" UNC
42	227810	1	Nut, 1/4" UNC
43	176520	4	Spring Washer, 1/4"
45	185610	2	Plug, 1/8" NPT
48	185650	1	Plug, 3/4" NPT
50	185790	1	Plug, 2" NPT
52	185620	1	Plug, 1/4" NPT
53	432120	1	Key
60	165251	3	Stud, 1/2" UNC x 2"
61	198880	1	O-Ring
N/S	465100	1	Strainer 3" NPT

TT40 PUMP Repair Parts



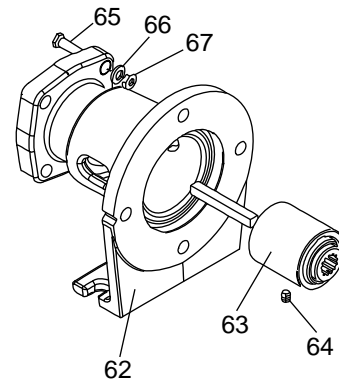
Use locktite on
impeller bolt #29

Ref.#	Code #	A	Description
1	419540	1	Transmission Head
2	436810	1	Pump Casing
3	419570	1	Seal Plate
4	432920	1	Impeller
5	419600	1	Intake Check Valve
6	019610	1	Weight
7	016670	1	Weight
9	436820	1	Clean-Out Cover
10	110800	1	Bearing Lock Nut #NO9
11	419670	1	Seal Cover
12	419681	1	Shaft
13	459990	1	Washer
14	432940	3	Wing Nut
17	432951	1	Wear Ring
23	191460	1	Valve Rubber
25	191480	1	Gasket
28	240362	1	Seal, 1-1/2" dia.
29	140999	1	Capscrew, 1/2" UNC x 1 1/4"
30	165251	6	Stud, 1/2" UNC x 2"
34	225980	1	Bolt, 5/16" UNC x 1"
35	119770	3	Bolt, 5/16" UNC x 7/8"
36	148300	1	Set Screw, 5/16" UNC x 3/8"
37	110060	2	Ball Bearing #3209
38	426740	1	Bearing Cover
39	111200	1	Bearing Lock Washer #WO9
40	227850	6	Nut, 1/2" UNC
41	120890	4	Bolt, 5/8" UNC x 3
42	227820	1	Nut, 5/16" UNC
43	176530	3	Spring Washer, 5/16"
45	110680	2	Grease Fitting, 1/8" NPT
48	185650	1	Plug, 3/4" NPT
50	185790	1	Plug, 2" NPT
52	185620	1	Plug, 1/4" NPT
53	432160	1	Key
60	165870	3	Stud, 5/8" UNC x 2 1/2"
61	198810	1	O-Ring
N/S	465280	1	Strainer 4" NPT



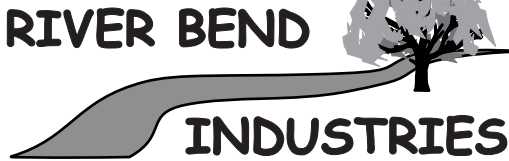
Moorhead, MN 56560
218-236-1818
800-365-3070
www.riverbendind.com

Hydraulic Adapter for
MIT40 and TT40

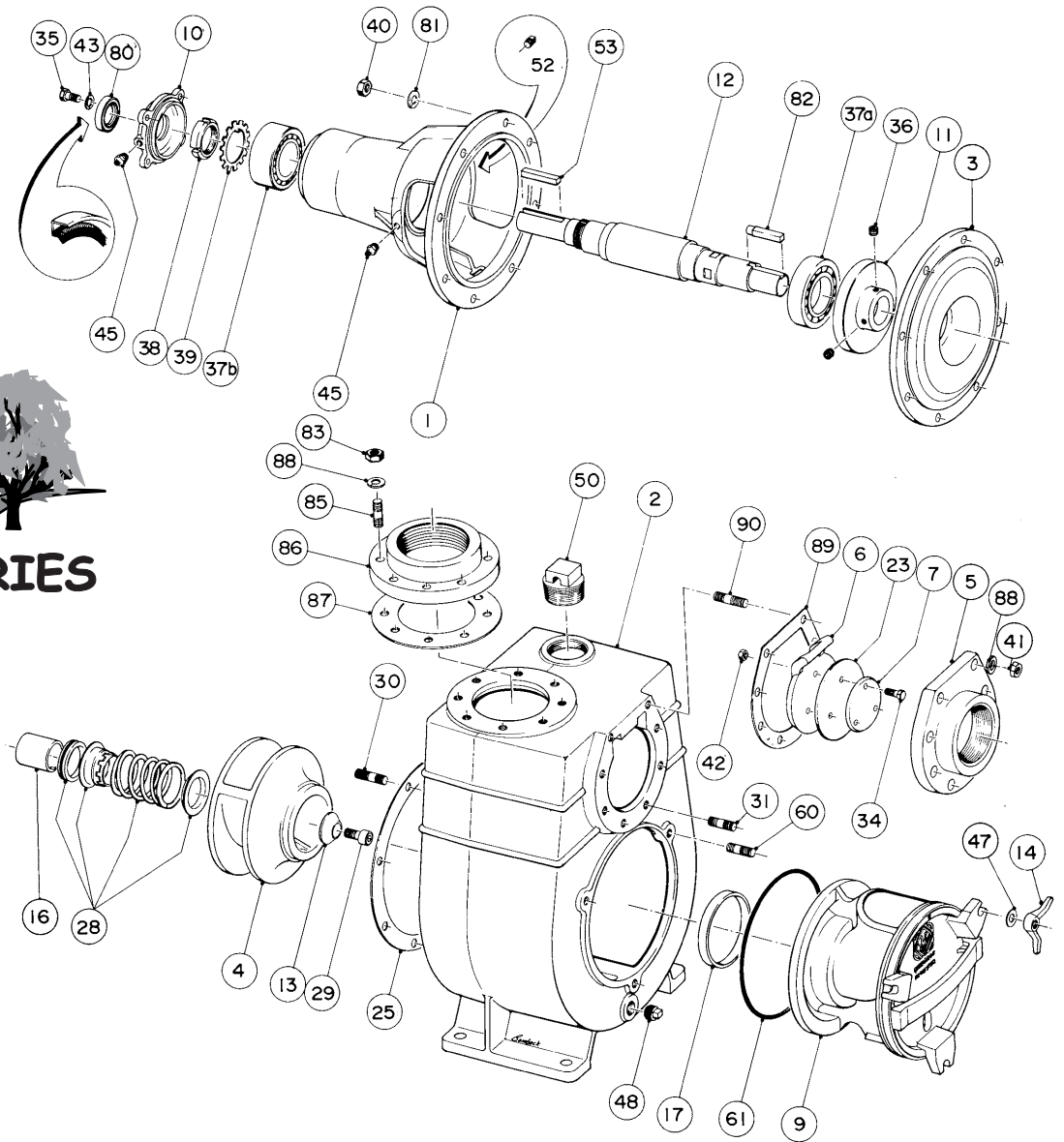


62	426218	Adapter
63	426224	Coupler
64	148380	Set Screw
65	226670	Bolt
66	176250	Lock Washer
67	227850	Nut

TT60 PUMP Repair Parts



Moorhead, MN 56560
218-236-1818
800-365-3070
www.riverbendind.com



Ref.#	Code #	A	Description
1	465486	1	Transmission Head
2	465421	1	Casing
3	465487	1	Seal Plate
4	465485	1	Impeller
5	465440	1	Suction Flange
6	465450	1	Top Weight
7	465460	1	Bottom Weight
9	465481	1	Clean-out Cover
10	466260	1	Bearing Cover
11	465479	1	Deflector
12	465488	1	Shaft
13	471008	1	Impeller Washer
14	432940	3	Wing Nut
16	465466	1	Sleeve
17	465465	1	Wear Ring
23	193980	1	Valve
25	194090	1	Gasket
28	240352	1	Crane Single Seal- Complete
29	141000	1	Special Self Locking Socket Head Cap Screw 5/8 UNC x 1 1/2"
30	165890	8	Stud, 5/8 UNC x 3"
31	166480	6	Stud, 3/4 UNC x 2-3/4"
34	226000	3	Hex. Head Bolt, Zn. Pl. 5/16 UNC x 1 1/2"
35	120020	4	Hex. Head Bolt, 3/8 UNC x 1 1/4"
36	148310	2	Socket Set Screw, Knurled 5/16 UNC x 1/2"

Ref.#	Code #	A	Description
37a	110330	1	Ball Bearing #6314Z
37b	110401	1	Ball bearing #3312/C3
38	110830	1	Bearing Lock Nut #N12
39	111230	1	Bearing Lock Washer #W12
40	128270	8	Hex. Nut 5/8 UNC
41	128290	8	Nut 3/4 UNC
42	227820	3	Hex. Nut, Zn. Pl., 5/16 UNC x 1/2"
43	176230	4	Spring Washer, Zn. Pl. 3/8"
45	110700	2	Grease Fitting 1/4 NPT
47	174490	3	Plain Washer, 11/16 Hole
48	185660	1	Pipe Plug, Black 1 NPT
50	185810	1	Priming Plug
52	185620	1	Pipe Plug, Galv. 1/4 NPT
53	466221	1	Key
60	165890	3	Stud 5/8 Unce x 3
61	197990	1	O-Ring
80	199330	1	Oil Seal C/R #21098
81	176570	8	Spring Washer, Zn. Pl. 5/8"
82	471014	1	Key
83	128290	8	Hex. Nut 3/4 UNC
85	166480	8	Stud, 3/4 UNC x 2 3/4"
86	400780	1	Companion Flange
87	191930	1	Gasket
88	176580	16	Spring Washer 3/4"
89	194110	1	Gasket
90	166490	2	Stud, 3/4 UNC x 3"