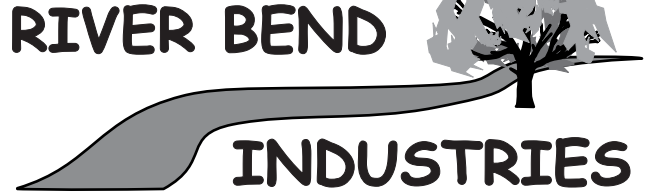


PACER ECONO-AG

CARING FOR PACER PUMPS:

When handling agricultural fertilizer and chemicals, flush pump with fresh, clean water immediately after use. Before storing pump, flush with fresh clean water and drain completely.

EPDM rubber components are not compatible with petroleum products. Do not use petroleum products when preparing pump for storage.

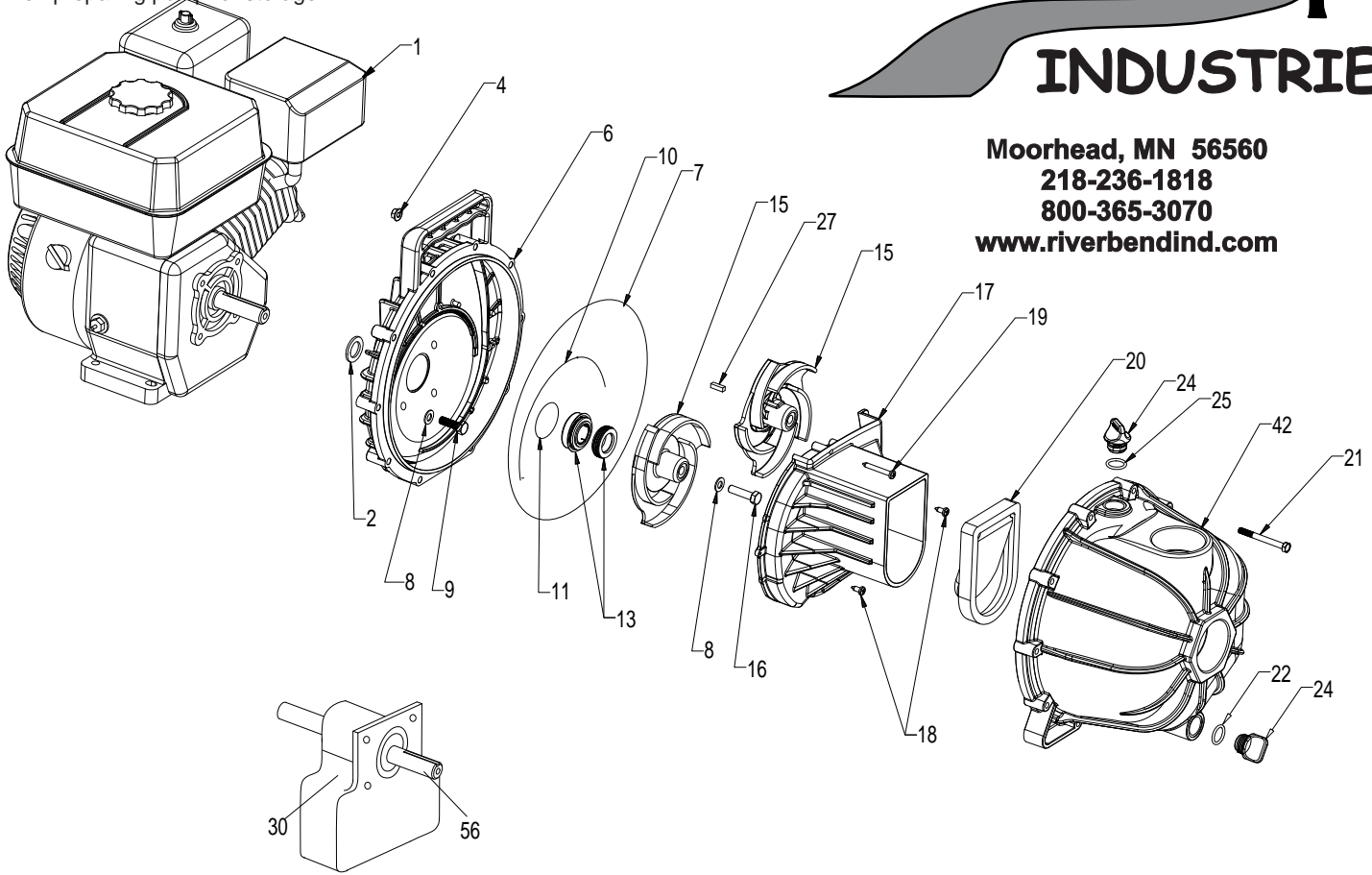


Moorhead, MN 56560

218-236-1818

800-365-3070

www.riverbendind.com



REF. NO.	DESCRIPTION	QTY/PUMP	SEB1½YL E3C	SEB2PL E3C	SEB2YL E3C	SEB2UL E5IC
2	Engine protection gasket	1	P-58-0933 72	P-58-0933 72	P-58-0933 72	P-58-0935 72
4	Body nut	10	P-58-0721	P-58-0721	P-58-0721	P-58-0721
6	Bracket	1	P-58-0703 30B	P-58-0703 30B	P-58-0703 30B	P-58-0703 30B
7	'O'-ring, body	1	P-58-0719 72	P-58-0719 72	P-58-0719 72	P-58-0719 72
8	'O'-ring, screw	5	P-58-0717 72	P-58-0717 72	P-58-0717 72	P-58-0717 72
9	Screw, bracket	4	P-58-0715 10	P-58-0715 10	P-58-0715 10	P-58-0715 10
10	'O'-ring, segment	1	P-58-0754 72	P-58-0754 72	P-58-0754 72	P-58-0754 72
11, 13	Shaft seal & 'O'-ring	1	P-58-0714 12	P-58-0714 12	P-58-0714 12	P-58-0714 12
15	Impeller	1	P-58-0974 30	P-58-0704 30	P-58-0974 30	P-58-0706 30
16	Screw, impeller	1	P-58-0716 10	P-58-0716 10	P-58-0716 10	P-58-0716 10
17	Volute	1	P-58-0954 30	P-58-0702 30	P-58-0954 30	P-58-0702 30
18	Screw, side volute	2	P-58-0725 10	P-58-0725 10	P-58-0725 10	P-58-0725 10
19	Screw, top volute	1	P-58-0771 10	P-58-0771 10	P-58-0997 10	P-58-0771 10
20	Check valve	1	P-58-0705 72	P-58-0705 72	P-58-0705 72	P-58-0705 72
21	Screw, body 2-7/16" (old)	10	P-58-0720	P-58-0720	P-58-0720	P-58-0720
	Screw, body, 2" (new)	10	P-58-1206	P-58-1206	P-58-1206	P-58-1206
22	'O'-ring, drain plug	1	P-58-1009 72	P-58-1009 72	P-58-1009 72	P-58-1009 72
23	Plug, drain	1	P-58-0723 30	P-58-0723 30	P-58-0723 30	P-58-0723 30
24	Plug, filler	1	P-58-0722 30B	P-58-0722 30B	P-58-0722 30B	P-58-0722 30B
25	'O'-ring, filler plug	1	P-58-0765 72	P-58-0765 72	P-58-0765 72	P-58-0765 72
27	Key	1	P-58-0718 30	P-58-0718 30	P-58-0718 30	P-58-0718
30	Shim As required		P-58-0778 11 (.006")	P-58-0778 11 (.006")	P-58-0778 11 (.006")	P-58-0778 11 (.006")
			P-58-0778 12 (.015")	P-58-0778 12 (.015")	P-58-0778 12 (.015")	P-58-0778 12 (.015")
			P-58-0778 13 (.030")	P-58-0778 13 (.030")	P-58-0778 13 (.030")	P-58-0778 13 (.030")
42	Body	1	P-58-1001 30B	P-58-1002 30B	P-58-1002 30B	P-58-1002 30B
55	Pedestal, molded plastic	1	P-58-0759 20	P-58-0759 20	P-58-0759 20	P-58-0759 20
56	Bearing/Shaft Assembly	1	P-58-0777	P-58-0777	P-58-0777	P-58-0777