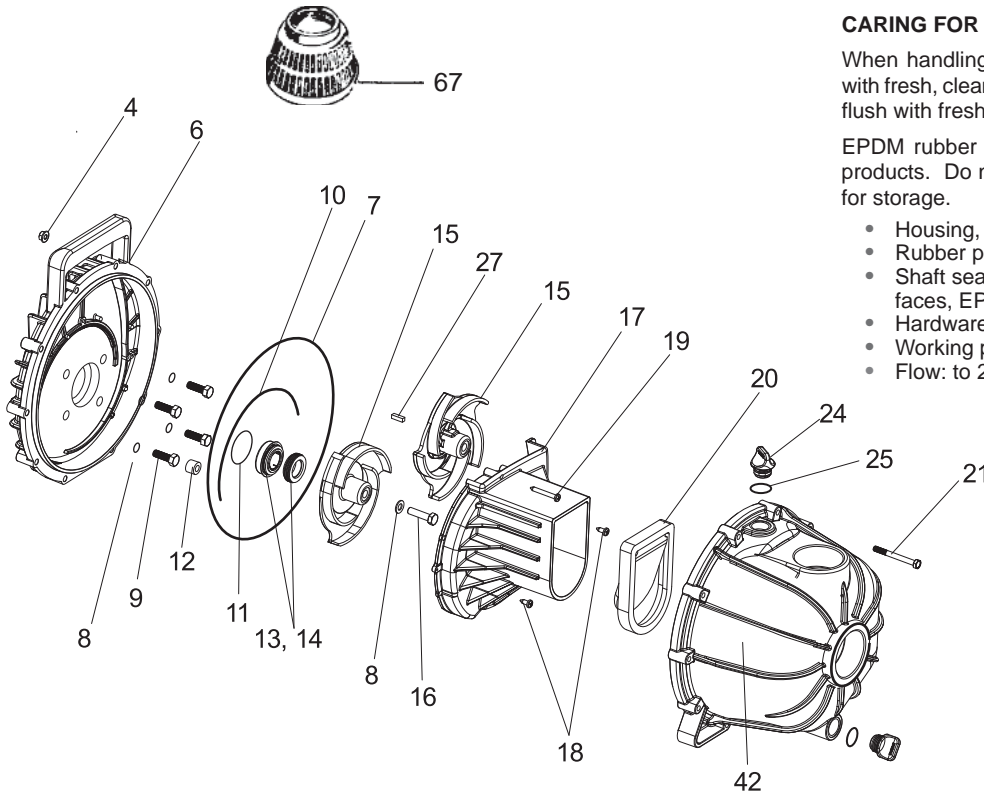


Pacer S Series Engine Driven Pumps EPDM Equipped



CARING FOR PACER PUMPS:

When handling agricultural fertilizer and chemicals, flush pump with fresh, clean water immediately after use. Before storing pump, flush with fresh, clean water and drain completely.

EPDM rubber components are not compatible with petroleum products. Do not use petroleum products when preparing pump for storage.

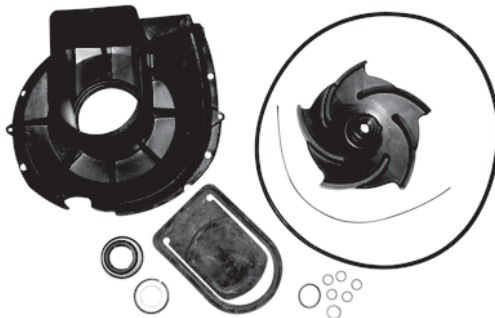
- Housing, volute and impeller: glass-reinforced polyester
- Rubber parts: EPDM (BUNA and Viton available)
- Shaft seal: Stainless steel with carbon and ceramic faces, EPDM fitted.
- Hardware: Internal and external stainless steel fasteners
- Working pressure: to 52 psi
- Flow: to 280 GPM



Lancaster, PA

REF NO.	DESCRIPTION	QTY/PUMP	SE1½PL	SE2PL	SE2UL	SE2RL	SE3SL	SE3XL	SE3ZL
4	Body nut (pre 2007)	10	0721 10	0721 10	0721 10	0721 10	0721 10	0721 10	0721 10
6	Bracket, W/Molded In Nuts	1	0703 30B	0703 30B	0703 30B	0703 30B	0703 30B	0703 30B	0703 30B
7	Body O-ring	1	0719 72	0719 72	0719 72	0719 72	0719 72	0719 72	0719 72
8	Screw O-ring	5	0717 72	0717 72	0717 72	0717 72	0717 72	0717 72	0717 72
9	Bracket screw	4	0715 10	0715 10	0715 10	0715 10	0715 10	0715 10	0715 10
10	O-ring segment	1	0754 72	0754 72	0754 72	0754 72	0754 72	0754 72	0754 72
11, 13 & 14	Shaft seal & O-ring	1	0714 12	0714 12	0714 12	0714 12	0714 12	0714 12	0714 12
15	Impeller	1	0704 30	0704 30	0706 30	0975 30	0975 30	8706 30	8975 30
16	Impeller screw	1	0716 10	0716 10	0716 10	0716 10	0716 10	0716 10	0716 10
17	Volute	1	0702 30	0702 30	0702 30	0977 30	0977 30	0702 30	0977 30
18	Side volute screw	2	0725 10	0725 10	0725 10	0725 10	0725 10	0725 10	0725 10
19	Top Volute Screw	1	0771 10	0771 10	0771 10	0997 10	0997 10	0997 10	0771 10
20	Check valve	1	0705 72	0705 72	0705 72	0705 72	0705 72	0705 72	0705 72
21	Body screw 2-7/16" (old)	10	0720 10	0720 10	0720 10	0720 10	0720 10	0720 10	0720 10
	Body screw 2" (new)	10	1206 10	1206 10	0206 10	1206 10	1206 10	1206 10	1206 10
22	O-ring, drain plug	1	1009 72	1009 72	0009 72	1009 72	1009 72	1009 72	1009 72
23	Drain plug	1	0723 30	0723 30	0723 30	0723 30	0723 30	0723 30	0723 30
24	Filler plug	1	0722 30B	0722 30B	0722 30B	0722 30B	0722 30B	0722 30B	0722 30B
25	O-ring, filler plug	1	0765 72	0765 72	0765 72	0765 72	0765 72	0765 72	0765 72
27	Key	1	0718	0718	0718	0718	0718	0718	0718
30	Shim (.006)	As Req'd	0778 11	0778 11	0778 11	0778 11	0778 11	0778 11	0778 11
	(.015)		0778 12	0778 12	0778 12	0778 12	0778 12	0778 12	0778 12
	(.030)		0778 13	0778 13	0778 13	0778 13	0778 13	0778 13	0778 13
42	Body, 1-1/2" Black	1	1001 30B	-	-	-	-	-	-
	Body, 2" Black	1	-	1002 30B	1002 30B	1002 30B	-	-	-
	Body, 3" Black	1	-	-	-	-	0755 30B	0755 30B	0755 30B
67	Strainer, Suction 1-1/2"	1	0734	-	-	-	-	-	-
	Strainer, Suction 2"	1	-	0733	0733	0733	-	-	-
	Strainer, Suction 3"	1	-	-	-	-	0757	0757	0757

Note: This parts list is intended for EPDM fitted pumps only



Pacer Repair Kits:

Includes Seal, O-Rings, Flapper, Volute and Impeller

- 58-702EP-P 702.30 Volute with 704.30 Imp
- 58-702EP-U 702.30 Volute with 706.30 Imp
- 58-954EP-Y 954.30 Volute with 974.30 Imp
- 58-977EP-RS 977.30 Volute with 975.30 Imp

RIVER BEND



INDUSTRIES

Moorhead, MN 56560
218-236-1818
800-365-3070
www.riverbendind.com