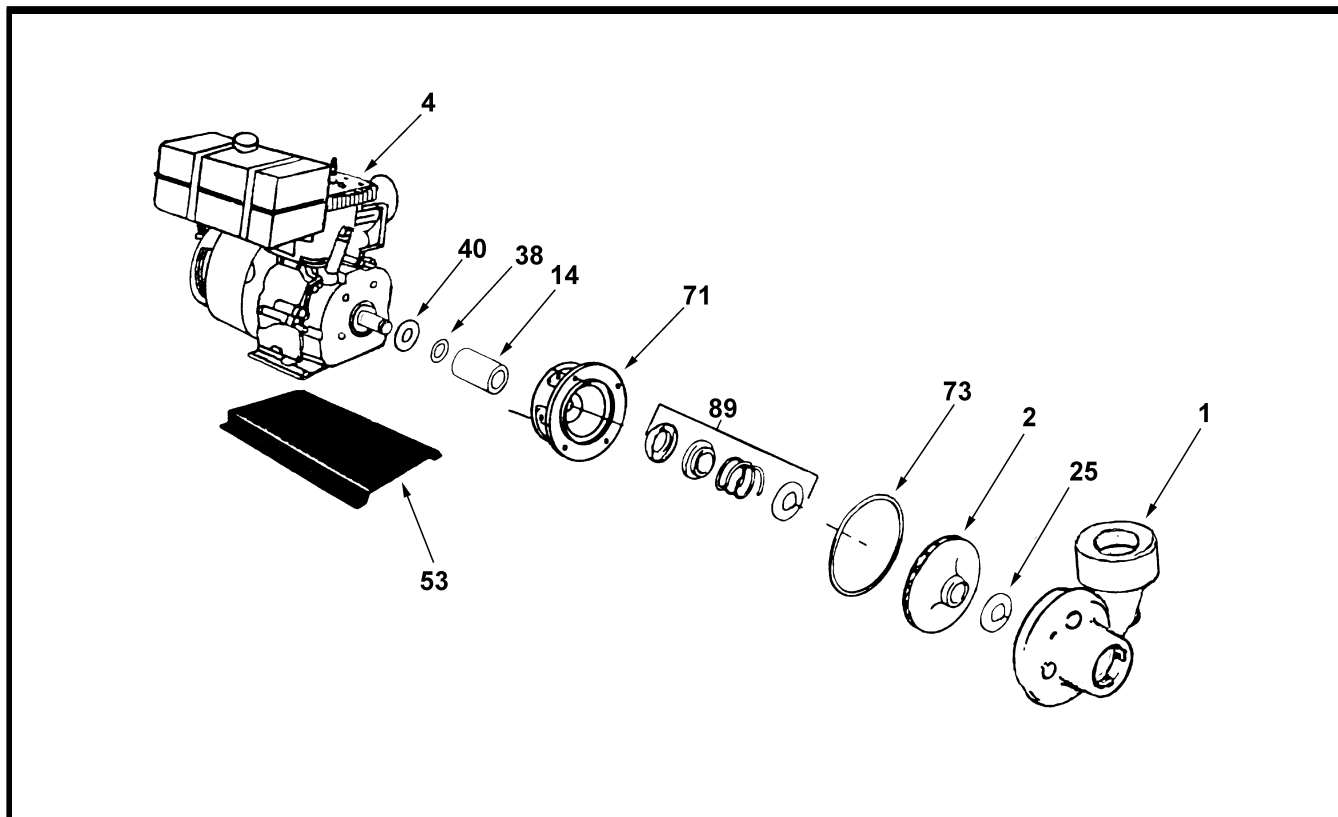


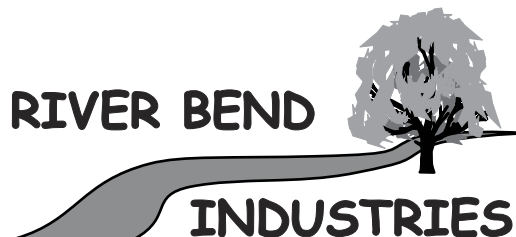
# ENGINEPUMP™ - FG 420, 421, 415, 450, 452

## STRAIGHT CENTRIFUGAL



KEY NO.	PART NAME	FG 420 1.5 X 1.5 NPT 8 HP	FG 421 2 X 2 NPT 8 HP	FG 415 3 X 3 NPT 8, 10, 11, 13 HP	FG 450 2 X 1.5 NPT 10, 11, 13 HP	FG 452 2.5 X 2 NPT 10, 11, 13 HP
1	CASE	130.000.158X	130.000.168X	130.000.224X	☒ 130.000.257X1	☒ 130.000.219X1
2	IMPELLER	131.000.553	131.000.557	131.000.288	131.000.476	131.000.522
4 +	ENGINE	1" THRD	1" THRD	1" THRD	1" THRD	1" THRD
14 ☒	SHAFT SLEEVE	110.000.175	110.000.175	110.000.175	110.000.175	110.000.175
25	WEAR RING	NONE	NONE	NONE	103.000.155	103.000.154
38 ☒	O-RING, SHAFT	116.000.117	116.000.117	116.000.117	116.000.117	116.000.117
40 ☒	FLINGER	104.000.165	104.000.165	104.000.165	104.000.165	104.000.165
53	BASE	119.000.106	119.000.106	119.000.106	119.000.106	119.000.106
71	ADAPTER	132.000.188	132.000.188	132.000.188	132.000.204	132.000.204
73 ☒	GASKET, CASE	116.000.146	116.000.146	116.000.146	116.000.157	116.000.157
89 ☒	SEAL VN-CM	101.000.194	101.000.194	101.000.194	101.000.194	101.000.194
--	REPAIR KIT	118.000.220	118.000.220	118.000.220	118.000.219	118.000.219

☒ DENOTES COMPONENTS INCLUDED IN REPAIR KIT  
 + SEE CHART FOR REPLACEMENT ENGINES  
 ☒ INCLUDES STEEL WEAR RING



Moorhead, MN 56560  
 218-236-1818  
 800-365-3070  
[www.riverbendind.com](http://www.riverbendind.com)