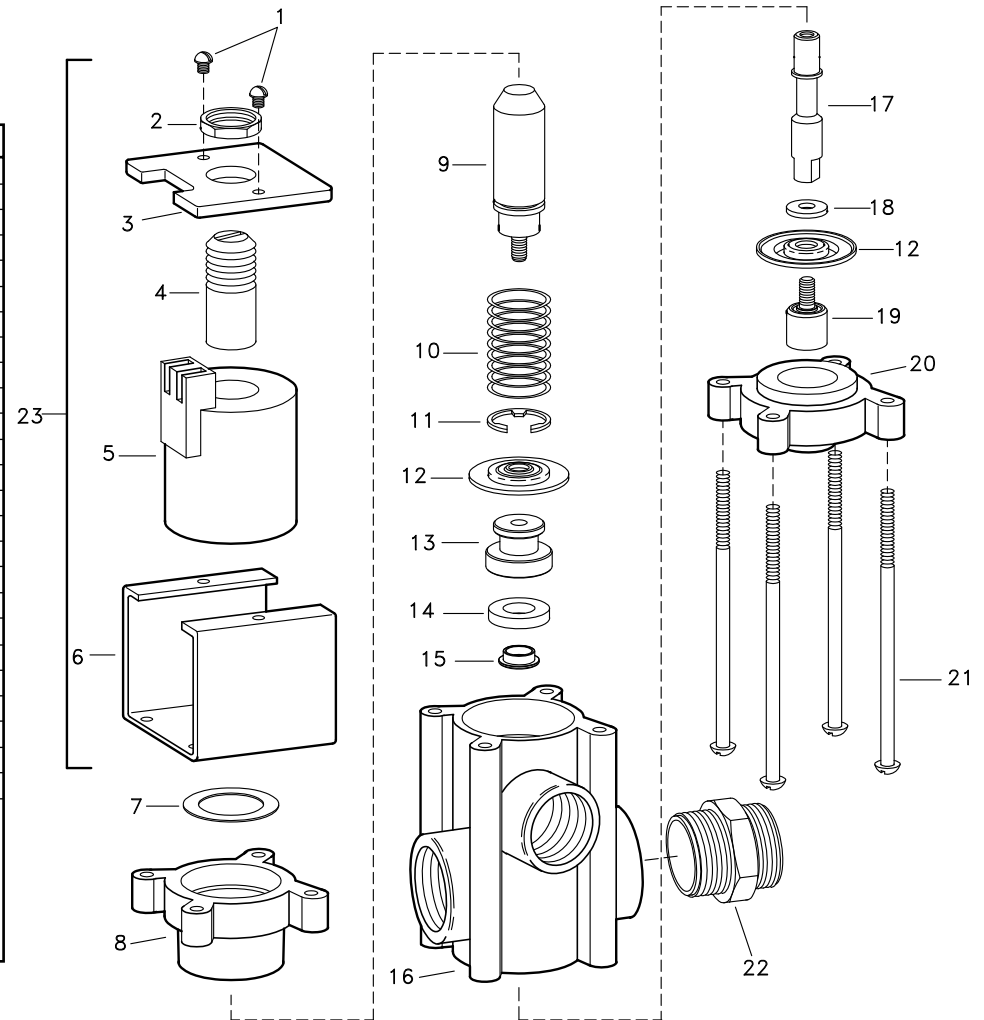


Ref #	Part #	Description
1	CP14933-SS	Screw, Stainless Steel (2 Req'd)
2	CP15168-IENP	Jam Nut, Steel, Electroless Nickel Plated
3	CP15166-I	Coil Cover, Steel, Nitortec Finish
4	CP15161-IENP	Armature Stop, Steel, Electroless Nickel Plated
5	CP15163-NYB	Coil Assembly, Nylon Encapsulated (Black)
6	CP14927-3-1	Strap, Steel, Nitrotec Finish
7	CP15169-302SS	Washer, Type 302 Stainless Steel
8	15164-NYB	Upper Diaphragm Housing, Nylon, Glass Filled (Black)
9	CP15170-IENP	Armature, Steel, Electroless Nickel Plated
10 *	CP15167-302SS	Spring, Type 302 Stainless Steel
11	CP14813-1-IENP	Retaining Ring, Steel, Electroless Nickel Plated
12 *	CP36101-EPR	Diaphragm, EPDM Rubber (Standard) 2 Req'd
**	CP36101-VI	Diaphragm, Viton (Optional) 2 Req'd
13	CP14807-SS	Seat Washer Retainer, Stainless Steel
14 *	CP14802-EPR	Seat Washer, EPDM Rubber (Standard)
**	CP14802-VI	Seat Washer, Viton (Optional)
15	CP14811-SS	Spacer, Stainless Steel
16	CP14801-PP	Body, Polypropylene (Black) (NPT)
17	CP14812-SS	Stem, Stainless Steel
18	CP1806-SS	Washer, Stainless Steel
19	CP15161-SS	Lower Diaphragm Piston, Stainless Steel
20	CP15165-NYB	Lower Diaphragm Housing, Glass Filled Nylon (Black)
21	CP14819-SS	Screw, Stainless Steel (4 Req'd)
22	CP21737-NYB	Connecting Nipple, Nylon (Black) Use only For Multiple Units
23	15905	Coil Sub-Assembly (Contains items 1-6)

No. AA144A-1(-VI), One Unit DirectoValve, Complete (NPT threads) (Viton version optional)
 No. AA144A-2(-VI), Two Unit DirectoValve, Complete (NPT threads) (Viton version optional)
 No. AA14.4A-3(-YI), Three Unit DirectoValve, Complete (NPT threads) (Viton version optional)
 PK-AB144A-1-KIT Spare Parts Kit (Includes One Set of Items Marked With *)
 PK-AB144A-1-VI-KIT Spare Parts Kit (Includes One Set of Items Marked With **)



DESCRIPTION:
 AA(B)144A-1 SOLENOID OPERATED
 DIRECTOVALVE®



Spraying Systems Co.®

Spray Nozzles and Accessories
 P.O. Box 7900 - Wheaton, Ill. 60189-7900

Rev. No. 2

Ref.

PARTS LIST

PL144A

SHEET OF