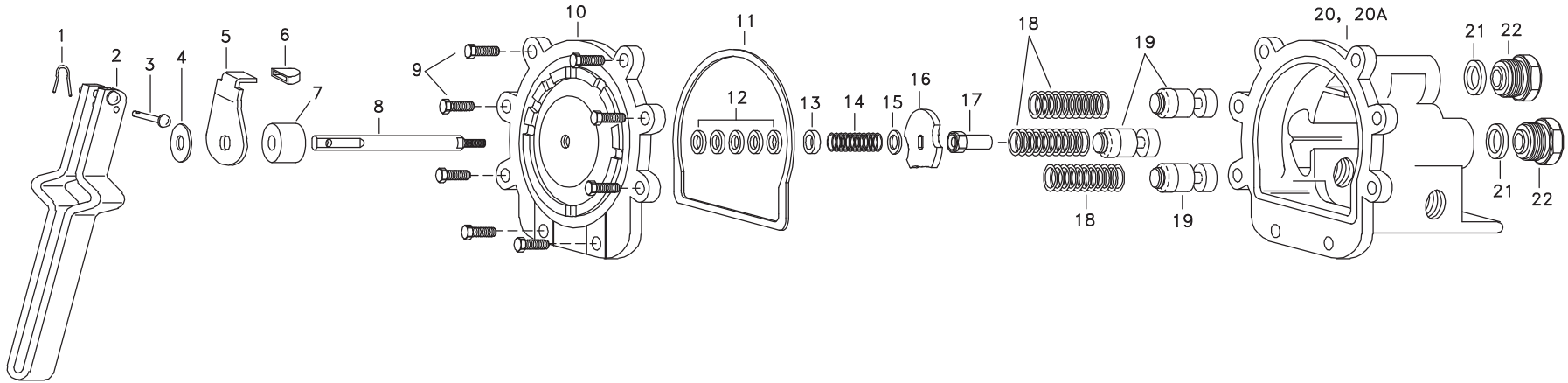


17 TeeValve



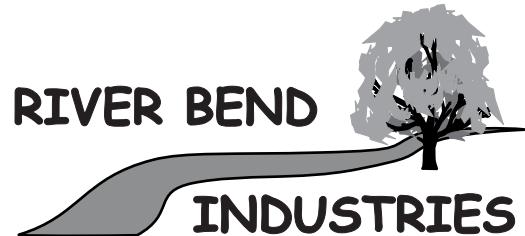
ITEM	PART NO.	DESCRIPTION
* 1	CP8012-1/2-SS	1/16" X 1/2" Cotter Pin, Stainless Steel
2	CP6849-1-IZP	Handle and Rivet Sub-Asb., Steel, Zinc Plated and Stainless Steel
* 3	CP7206-IZP	Rivet, Steel, Zinc Plated
* 4	CP6976-IZP	handle Washer, Steel, Zinc Plated
* 5	CP12128-IZP	Selector Shield, Steel, Zinc Plated
* 6	CP12127-CE	Selector Shield Tip, Celcon (Gray)
7	CP12129-CE	Spacer, Celcon (Gray)
8	CP6972-SS	Main Stem, Stainless Steel
* 9	CP20607-IZP	Hex Head Screw 1/4-20x3/4, Steel, Zinc Plated (8 Req'd)
10	CP12126-AL	Cover Plate, Aluminum
* 11	CP6975-BU	Gasket, Buna-N
* 12	CP5809-LEA	Packing, Thermo-Leather (5 Req'd)

ITEM	PART NO.	DESCRIPTION
13	CP12130-SS	Packing Gland, Stainless Steel
14	CP7254-SS	Main Spring, Stainless Steel
15	CP7987-SS	Washer, Stainless Steel
16	CP6971-AL	Selector Cam, Aluminum
17	CP6973-SS	Guide Nut, Stainless Steel
18	CP6959-SS	Valve Spring, Stainless Steel (3 Req'd)
19	CP6956-CE	Valve Stem, Celcon (3 Req'd)
20	CP6934-3/4-AL	Body, Aluminum (For AA17L)
20A	CP6934-13/4-AL	Body, Aluminum (For AA17Y)
* 21	CP6958-POL	Seat Plate, Polyethylene (3 Req'd)
* 22	CP7902-AL	Outlet Adapter, Aluminum (3 Req'd)

No. AA17L, TeeValve Control Valve

No. AA17Y, TeeValve Control Valve

PK-AB17-KIT - Spare Parts Kit (Includes all items marked with *)



Moorhead, MN 56560
218-236-1818
800-365-3070
www.riverbendind.com

DESCRIPTION:
AA17
TEEVALVE® CONTROL VALVE



Spraying Systems Co.®

Spray Nozzles and Accessories
P.O. Box 7900 - Wheaton, IL 60189-7900

Rev. No. 4

Parts List No.

Ref.

PL 17

SHEET OF