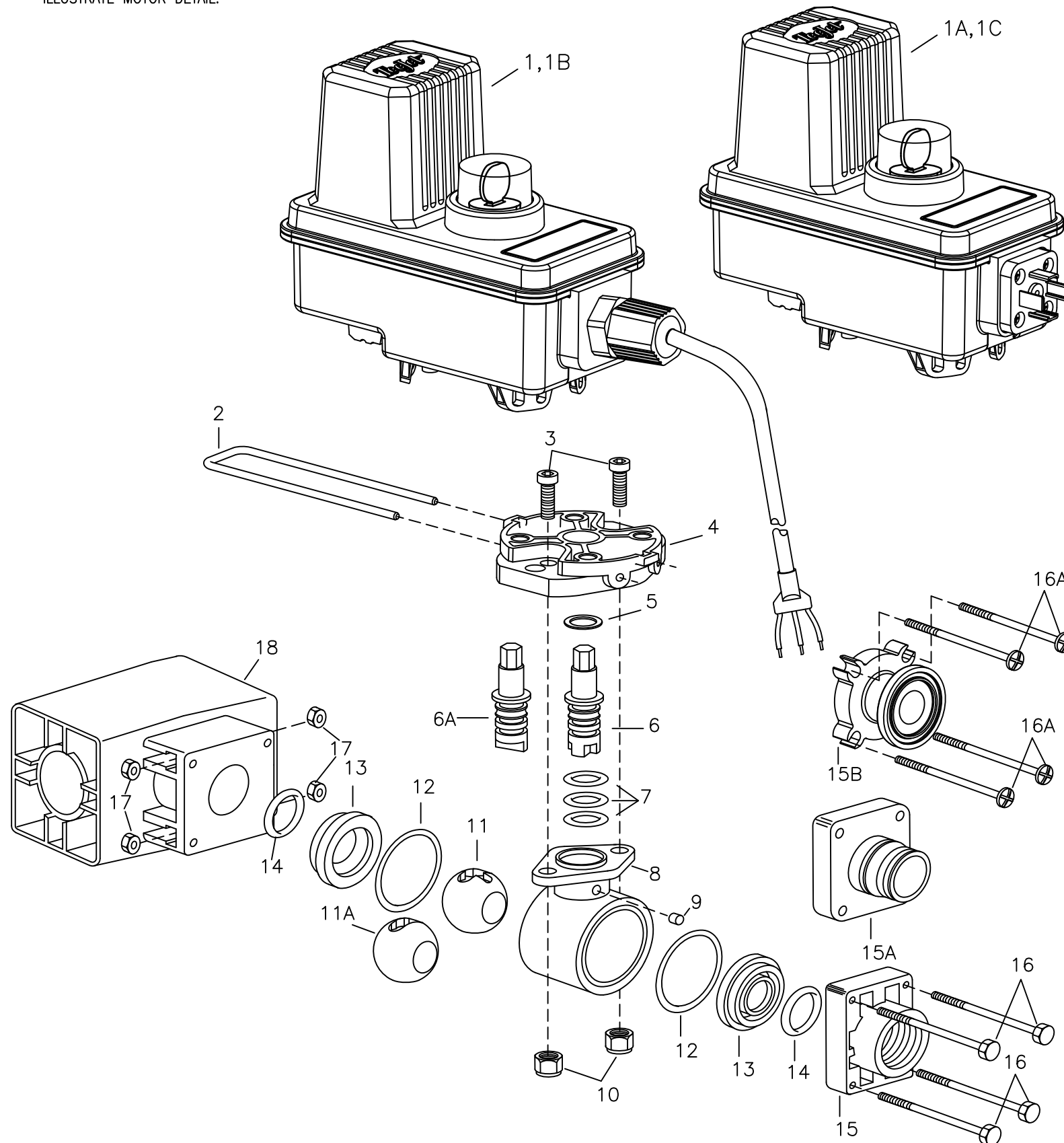


NOTE: MOTOR IS ROTATED  
180° FROM NORMAL  
ORIENTATION TO BETTER  
ILLUSTRATE MOTOR DETAIL.



ITEM	PART NO.	DESCRIPTION	
1	50515-22CP03 ■	BEC MOTOR, 22-RPM (0.7-SEC), 0.3-METER CABLE, POSITIVELY SWITCHED	
	50515-22CP05 ■	BEC MOTOR, 22-RPM (0.7-SEC), 0.5-METER CABLE, POSITIVELY SWITCHED	
	50515-22CP15 ■	BEC MOTOR, 22-RPM (0.7-SEC), 1.5-METER CABLE, POSITIVELY SWITCHED	
	50515-22CP60 ■	BEC MOTOR, 22-RPM (0.7-SEC), 6.0-METER CABLE, POSITIVELY SWITCHED	
1A	50515-22DP ■	BEC MOTOR, 22-RPM (0.7-SEC), DIN CONNECTION, POSITIVELY SWITCHED	
1B	50533-22C03	BE MOTOR, 22-RPM (0.7-SEC), 0.3-METER CABLE	
	50533-22C05	BE MOTOR, 22-RPM (0.7-SEC), 0.5-METER CABLE	
	50533-22C15	BE MOTOR, 22-RPM (0.7-SEC), 1.5-METER CABLE	
	50533-22C60	BE MOTOR, 22-RPM (0.7-SEC), 6.0-METER CABLE	
1C	50533-22D	BE MOTOR, 22-RPM (0.7-SEC), DIN CONNECTION	
2	CP50517-SSPV	RETAINING CLIP, 304 STAINLESS STEEL	
3	CP26197-7/8-SS	SOCKET HEAD CAP SCREW, STAINLESS STEEL (2 REQ'D)	
4	CP50514-PP	MOTOR ADAPTER, POLYPROPYLENE (BLACK)	
*	5	CP20125-TEF	THRUST WASHER, TEFLON
6	CP56613-SS	STEM, 303 STAINLESS STEEL (FOR POLYPROPYLENE BALL)	
6A	CP56615-SS	STEM, 303 STAINLESS STEEL (FOR STAINLESS STEEL BALL)	
*	7	CP7717-M12X2.5-VI	O-RING, VITON (3 REQ'D)
8	CP20101-NYB	BODY, NYLON (BLACK) (2-WAY)	
*	9	CP20126-FELT	DUST PLUG, FELT
10	CP38435-1/4-SSNY	ELASTIC LOCKNUT, STAINLESS STEEL (2 REQ'D)	
11	CP20106-1-PP	BALL, POLYPROPYLENE (WHITE) (2-WAY)	
11A	CP19926-SS	BALL, STAINLESS STEEL (2-WAY)	
*	12	CP20564-VI	GASKET, VITON (2 REQ'D)
*	13	CP20103-TEF	SEAL, TEFLON (2 REQ'D)
*	14	CP7717-2-213-VI	O-RING, VITON (2 REQ'D)
15	CP20104-3/4-NYB	END CAP, NYLON (BLACK) (3/4" NPT THREAD)	
	CPB20104-3/4-NYB	END CAP, NYLON (BLACK) (3/4" BSPT THREAD)	
	CP20104-1-NYB	END CAP, NYLON (BLACK) (1" NPT THREAD)	
	CPB20104-1-NYB	END CAP, NYLON (BLACK) (1" BSPT THREAD)	
15A	CP45514-NYB	END CAP, NYLON (BLACK) (QUICK CONNECT)	
15B	CP45253-NYB	END CAP, NYLON (BLACK) (50-SERIES FLANGE)	
16	CP20129-SS	HEX HEAD SCREW, STAINLESS STEEL (4 REQ'D) (FOR ITEMS 15, 15A)	
16A	CP50144-3-SS	PAN HEAD SCREW, STAINLESS STEEL (4 REQ'D) (FOR ITEM 15B)	
17	CP8535-SS	HEX NUT, STAINLESS STEEL (4 REQ'D)	
18	CP39581-NYB	MANIFOLD BODY, NYLON (BLACK)	
19	56607-2-_-_-_-	VALVE BODY ASS'Y, SPECIFY OUTLET SIZE & BALL MATERIAL, INCLUDES ITEMS, 3-18	
AB344AE-KIT, SPARE PARTS KIT (INCLUDES ALL ITEMS MARKED WITH *)			

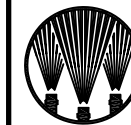
NOTE: (B) IN PART NUMBER INDICATES B.S.P.T INLET AND OUTLET CONNECTIONS

■ NOTE: FOR NEGATIVELY SWITCHED MOTORS SPECIFY "N" RATHER THAN "P" IN MOTOR PART NUMBER

EXAMPLE: 50515-22CN05  
TEFLON® IS A TRADEMARK OF DUPONT COMPANY  
VITON® IS A TRADEMARK OF DUPONT DOW ELASTOMERS

**DESCRIPTION:**

440BEC  
DIRECTVALVE®  
ELECTRIC SHUT-OFF  
MANIFOLD  
BALL VALVE



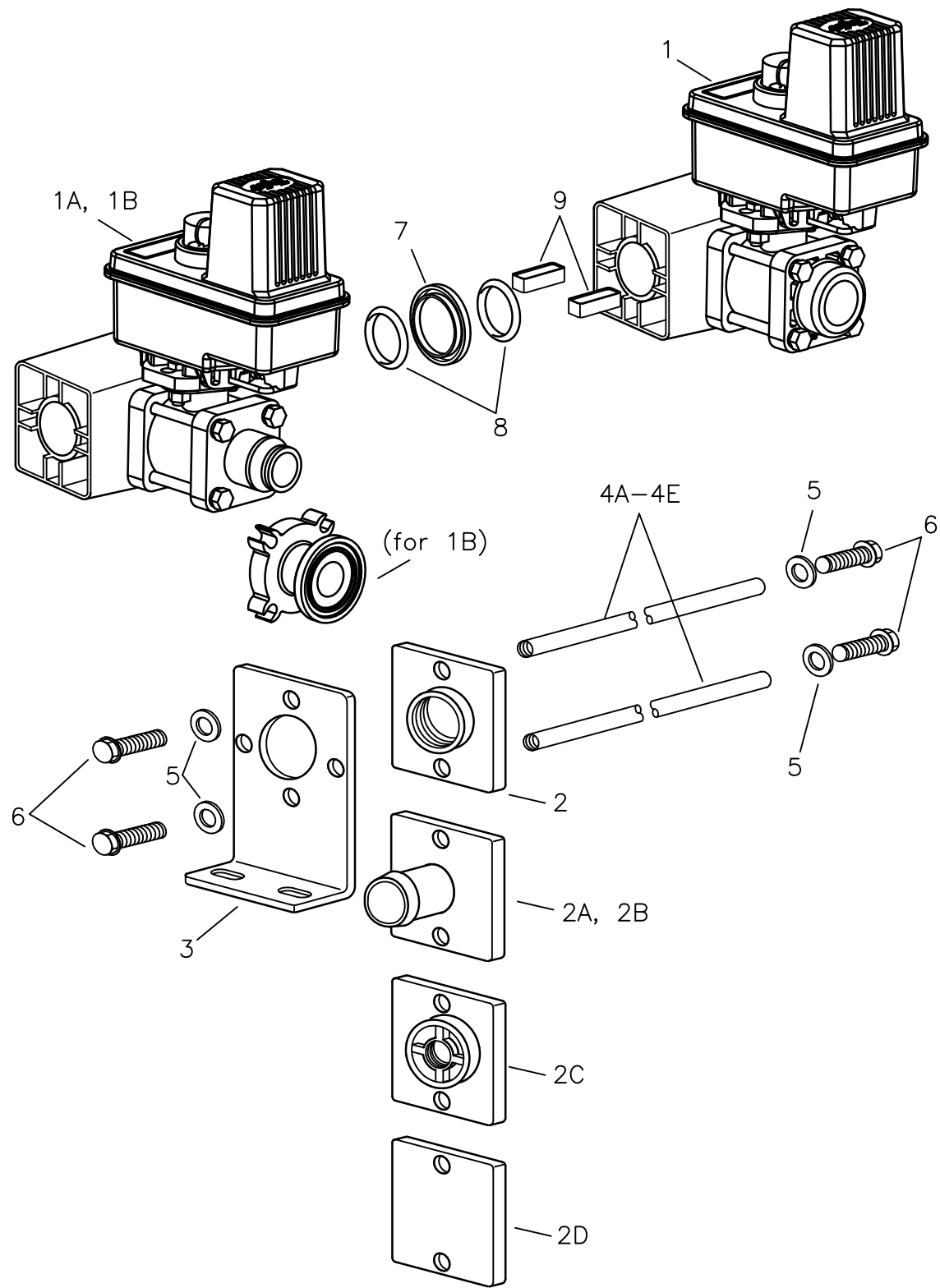
**Spraying Systems Co.®**

Spray Nozzles and Accessories  
P.O. Box 7900 - Wheaton, IL 60189-7900

Rev. No. 3

Ref.

PARTS LIST  
PL440BEC  
SHEET OF



ITEM	PART No.	DESCRIPTION	Quantity of Valves					Quantity Required
			440BEC-	441BEC-	442BEC-	443BEC-	444BEC-	
1	(B)440BEC-3(S)-C **	3/4" Female Outlet Ball Valve Sub-Asb.	1	1	2	3	4	5
	(B)440BEC-4(S)-C **	1" Female Outlet Ball Valve Sub-Asb.	1	1	2	3	4	5
1A	440BEC-Q(S)-C **	Quick Connect Outlet Ball Valve Sub-Asb.	1	1	2	3	4	5
1B	440BEC-F(S)-C **	50-Series Flange Outlet Ball Valve Sub-Asb.	1	1	2	3	4	5
2	CP37548-PP	1" NPT Female Threaded Inlet, Polypropylene	-	*	*	*	*	*
	CPB37548-PP	1" BSPT Female Threaded Inlet, Polypropylene	-	*	*	*	*	*
2A	CP37156-PP	1" Hose Barb Inlet, Polypropylene	-	*	*	*	*	*
2B	CP39584-PP	1-1/4" Hose Barb Inlet, Polypropylene	-	*	*	*	*	*
2C	CP37684-PP	1/4" NPT Female Threaded Inlet, Polypropylene	-	*	*	*	*	*
	CPB37684-PP	1/4" BSPT Female Threaded Inlet, Polypropylene	-	*	*	*	*	*
2D	CP37558-PP	Blank Inlet, Polypropylene	-	*	*	*	*	*
3	CP38659-1	Mounting Bracket, Steel (Nitrotec Finish)	-	2	2	2	2	2
4A	CP39583-1-SS	Stud, Stainless Steel	-	2	-	-	-	-
4B	CP39583-2-SS	Stud, Stainless Steel	-	-	2	-	-	-
4C	CP39583-3-SS	Stud, Stainless Steel	-	-	-	2	-	-
4D	CP39583-4-SS	Stud, Stainless Steel	-	-	-	-	2	-
4E	CP39583-5-SS	Stud, Stainless Steel	-	-	-	-	-	2
5	CP39321-SS	Flat Washer, Stainless Steel	-	4	4	4	4	4
6	CP23896-1-1/4-SS	Hex Head Bolt, Stainless Steel	-	4	4	4	4	4
7	CP37159-PP	Inner Connector, Polypropylene	-	-	1	2	3	4
8	CP7717-2-218-VI	O-Ring, Viton	-	2	4	6	8	10
9	CP39769-PP	Alignment Insert, Polypropylene	-	-	2	4	6	8

- 39910-1-VI, Mounting Kit For 441BEC- (includes items 3, 4A, 5, 6, 8)
- 39910-2-VI, Mounting Kit For 442BEC- (includes items 3, 4B, 5, 6, 7, 8, 9)
- 39910-3-VI, Mounting Kit For 443BEC- (includes items 3, 4C, 5, 6, 7, 8, 9)
- 39910-4-VI, Mounting Kit For 444BEC- (includes items 3, 4D, 5, 6, 7, 8, 9)
- 39910-5-VI, Mounting Kit For 445BEC- (includes items 3, 4E, 5, 6, 7, 8, 9)

NOTE: QUANTITIES ON ITEMS 7, 8 & 9 CHANGE PER KIT.

NOTE: FOR SINGLE 440 VALVE INTERNAL COMPONENT PARTS SEE PARTS LIST PL440BEC.

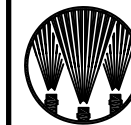
\*INLET CONNECTIONS, ITEMS 2A-2D, TO BE SPECIFIED WHEN MANIFOLD IS ORDERED.

\*\*FOR COMPLETE LIST OF SINGLE 440 VALVE OPTIONS AND HOW TO ORDER INFORMATION SEE DATA SHEET DS56606.

VITON® IS A TRADEMARK OF DUPONT DOW ELASTOMERS

**DESCRIPTION:**

440BEC  
DIRECTOVALVE®  
ELECTRIC BALL VALVE  
MANIFOLD ASSEMBLY



**Spraying Systems Co.®**

Spray Nozzles and Accessories  
P.O. Box 7900 - Wheaton, IL 60189-7900

Rev. No. 1

Ref.

PARTS LIST  
PL440BEC-1  
SHEET OF