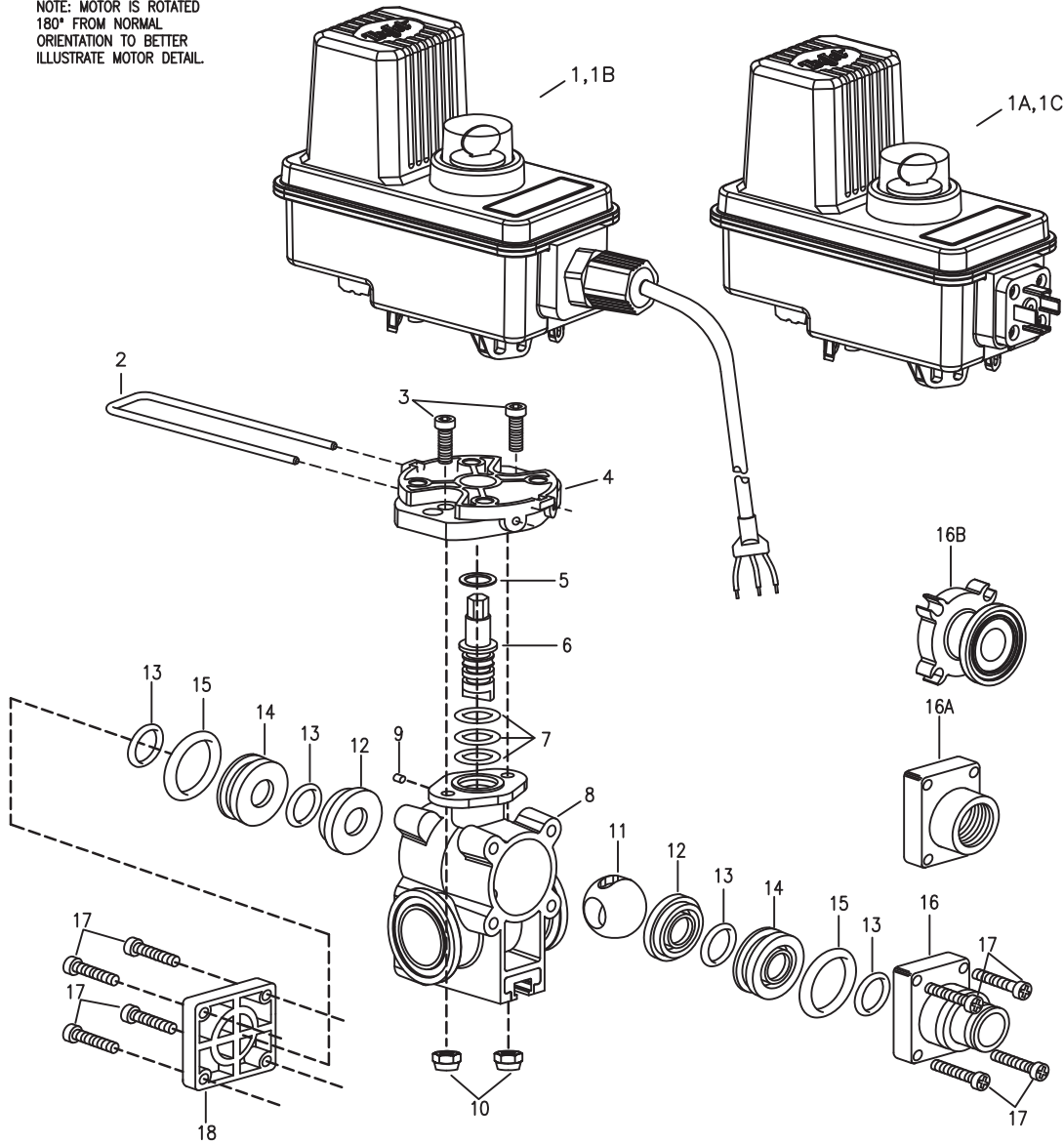


NOTE: MOTOR IS ROTATED  
180° FROM NORMAL  
ORIENTATION TO BETTER  
ILLUSTRATE MOTOR DETAIL.



ITEM	SALES PART NO.	DESCRIPTION
1	50515-22CP03*	BEC MOTOR, 22-RPM (0.7-SEC), 0.3-METER CABLE, POSITIVELY SWITCHED
	50515-22CP05*	BEC MOTOR, 22-RPM (0.7-SEC), 0.5-METER CABLE, POSITIVELY SWITCHED
	50515-22CP15*	BEC MOTOR, 22-RPM (0.7-SEC), 1.5-METER CABLE, POSITIVELY SWITCHED
	50515-22CP60*	BEC MOTOR, 22-RPM (0.7-SEC), 6.0-METER CABLE, POSITIVELY SWITCHED
1A	50515-22DP*	BEC MOTOR, 22-RPM (0.7-SEC), DIN CONNECTION, POSITIVELY SWITCHED
1B	50533-22C03	BE MOTOR, 22-RPM (0.7-SEC), 0.3-METER CABLE
	50533-22C05	BE MOTOR, 22-RPM (0.7-SEC), 0.5-METER CABLE
	50533-22C15	BE MOTOR, 22-RPM (0.7-SEC), 1.5-METER CABLE
	50533-22C60	BE MOTOR, 22-RPM (0.7-SEC), 6.0-METER CABLE
1C	50533-22D	BE MOTOR, 22-RPM (0.7-SEC), DIN CONNECTION
2	CP50517-SSPPV	RETAINING CLIP, 304 STAINLESS STEEL
3	CP26197-7/8-SS	SOCKET HEAD CAP SCREW, STAINLESS STEEL (2 REQ'D)
4	CP50514-PP	MOTOR ADAPTER, POLYPROPYLENE (BLACK)
* 5	CP20125-TEF	THRUST WASHER, TEFLON
6	CP56614-303SS	STEM, 303 STAINLESS STEEL
* 7	CP7717-M12X2.5-VI	O-RING, VITON (3 REQ'D)
8	CP45503-NYB	BODY, NYLON (INCLUDES MOUNTING RAIL)
9	CP20126-FELT	DUST PLUG, FELT
10	CP38435-1/4-SS	ELASTIC LOCKNUT, STAINLESS STEEL (2 REQ'D)
11	CP45510-1-SS	BALL, 303 STAINLESS STEEL
* 12	CP20103-TEF	SEAL, TEFLON (2 REQ'D)
* 13	CP7717-2-213-VI	O-RING, VITON (4 REQ'D)
14	CP45502-NYB	BALL SEAL SPACER, NYLON (BLACK) (2 REQ'D)
* 15	CP7717-2-322-VI	O-RING, VITON (2 REQ'D)
16	CP45514-NYB	ENDCAP, NYLON (BLACK) (QUICK CONNECT)
16A	CP20104-3/4-NYB	ENDCAP, NYLON (BLACK) (3/4" NPT THREAD)
	CPB20104-3/4-NYB	ENDCAP, NYLON (BLACK) (3/4" BSPT THREAD)
	CP20104-1-NYB	ENDCAP, NYLON (BLACK) (1" NPT THREAD)
16B	CPB20104-1-NYB	ENDCAP, NYLON (BLACK) (1" BSPT THREAD)
	CP45253-NYB	ENDCAP, NYLON (BLACK) (50-SERIES FLANGED)
17	CP45517-1-1/8-SS	PAN HEAD SCREW, STAINLESS STEEL (8 REQ'D)
18	CP45518-NYB	REAR COVER, NYLON (BLACK)
	56611-2-_-_-	VALVE BODY SUB-ASS'Y, SPECIFY OUTLET SIZE & BALL MATERIAL (3-19)

AB460B-KIT, SPARE PARTS KIT (INCLUDES ALL ITEMS MARKED WITH \*)

NOTE: (B) IN PART NUMBER INDICATES B.S.P.T INLET AND OUTLET CONNECTIONS

NOTE: FOR NEGATIVELY SWITCHED MOTORS SPECIFY "N" RATHER THAN "P" IN MOTOR PART NUMBER. EXAMPLE: 50515-22CN05

TEFLON® IS A TRADEMARK OF DUPONT COMPANY  
VITON® IS A TRADEMARK OF DUPONT DOW ELASTOMERS

**DESCRIPTION:**  
460BEC 2-WAY  
DIRECTOVALVE®  
ELECTRIC SHUT-OFF  
BALL VALVE MANIFOLD



**Spraying Systems Co.®**  
Spray Nozzles and Accessories  
P.O. Box 7900 - Wheaton, IL 60189-7900

Rev. No. 2

Ref.

PARTS LIST  
**PL460BEC**  
SHEET OF