

DIMENSIONS	DESCRIPTION	SERIES	"A"	"B"	"C"	PART NUMBER
	STRAIGHT COUPLING	50	2" (51MM)	2 1/4" (57MM)	2" (51MM)	CP48157-PP
	STRAIGHT COUPLING	75	3 1/16" (78MM)	4 3/8" (111MM)	3 1/16" (78MM)	CP48169-PP
	REDUCER COUPLING	75	3 1/16" (78MM)	2 3/16" (55MM)	2" (51MM)	CP45207-PP

DIMENSIONS	DESCRIPTION	SERIES	"A"	"B"	"C"	PART NUMBER
	90° ELBOW COUPLING	50	2" (51MM)	2 3/16" (56MM)	2 3/16" (56MM)	CP48158-PP
	90° ELBOW COUPLING	75	3 1/16" (78MM)	2 3/16" (56MM)	3 1/8" (79MM)	CP48168-PP

**FEATURES INCLUDE:**

- POLYPROPYLENE CONSTRUCTION
- O-RING SEAL (NOT INCLUDED)
- FULL PORT DESIGN
- CHOICE OF CLAMPS (NOT INCLUDED)
- MAXIMUM PRESSURE RATING OF 200 PSI FOR 75-SERIES FITTINGS
- MAXIMUM PRESSURE RATING OF 300 PSI FOR 50-SERIES FITTINGS

**HOW TO ORDER:**

- TO ORDER A FITTING SPECIFY THE PART NUMBER.  
EXAMPLE: CP48158-PP
- TO ORDER CLAMPS AND O-RING FOR THE 75 SERIES SPECIFY PART NUMBER 55245-75 (STAINLESS STEEL). FOR THE 50 SERIES SPECIFY 55245-50 (STAINLESS STEEL) OR 46070 (NYLON, 50-SERIES).  
EXAMPLE: 55245-75
- MOUNTING KIT MOUNTS TO UNDER SIDE OF TEE AND INCLUDES ONE EXTRUSION AND FOUR SCREWS. MOUNTING KIT IS NOT INCLUDED WITH TEES. MUST BE ORDERED SEPARATELY.

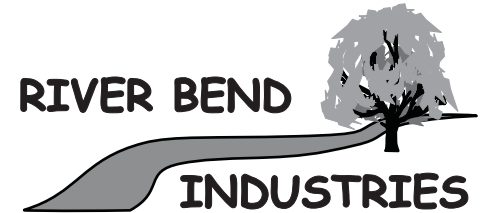
© Spraying Systems Co.

DIMENSIONS	DESCRIPTION	SERIES	"A"	"B"	PART NUMBER
	MALE QUICK CONNECT	50	2" (51MM)	1 3/16" (46MM)	CP46029-PP
	MALE QUICK CONNECT	3/4" NPT (M)	1 5/16" (33MM)	2" (51MM)	CP45527-PP

DIMENSIONS	DESCRIPTION	SERIES	"A"	"B"	"C"	"D"	PART NUMBER
	REDUCER TEE	50/75	2" (51MM)	3 1/16" (78MM)	4 3/8" (111MM)	2 7/8" (73MM)	CP46717-PP
	NARROW TEE*	50	2" (51MM)	2" (51MM)	3 3/16" (81MM)	2" (51MM)	CP55242-PP
	TEE*	50	2" (51MM)	2" (51MM)	4 3/8" (111MM)	2 7/8" (73MM)	CP50193-PP
	TEE	75	3 1/16" (78MM)	3 1/16" (78MM)	4 3/8" (111MM)	3 1/8" (79MM)	CP46716-PP
	450 TEE BODY (STANDARD)	75	-	3 1/16" (78MM)	4 3/8" (111MM)	3 1/4" (83MM)	CP45251-PP
450 TEE BODY (NARROW)	75	-	3 1/16" (78MM)	3 1/8" (79MM)	3 1/4" (83MM)	CP55224-PP	
	TEE MOUNTING KIT** (ONE ALUMINUM EXTRUSION AND FOUR M6X1 THREAD FORMING SCREWS 18-8SS)	50/75	1 3/4" (44MM)	--	--	--	48143

\* NOTE: THERE IS NO MOUNTING PROVISION ON THE 50-SERIES TEE.

\*\* NOTE: 48143 MOUNTING RAIL SLOT ACCEPTS 3/8" OR M8 HEX-HEAD BOLTS.



Moorhead, MN 56560  
218-236-1818  
800-365-3070  
www.riverbendind.com

**DESCRIPTION:**

**50- & 75-SERIES  
FLANGED COUPLINGS,  
REDUCERS, ELBOWS,  
TEES & ADAPTERS**



**Spraying Systems Co.®**

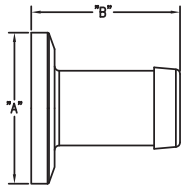
Spray Nozzles and Accessories  
P.O. Box 7900 - Wheaton, IL 60189-7900

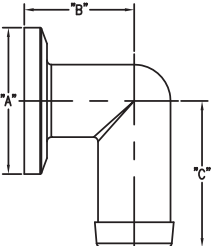
Rev. No. 4

Ref.

DATA SHEET  
**FLANGE-2**  
SHEET OF

Moorhead, MN 56560  
 218-236-1818  
 800-365-3070  
[www.riverbendind.com](http://www.riverbendind.com)

DIMENSIONS	DESCRIPTION	SERIES	"A"	"B"	PART NUMBER
	3/4" HOSE BARB	50	2" (51MM)	1 11/16" (43MM)	CP48150-PP
	1" HOSE BARB	50	2" (51MM)	2" (51MM)	CP45504-PP
	1 1/4" HOSE BARB	50	2" (51MM)	2" (51MM)	CP45505-PP
	1 1/4" HOSE BARB	75	3 1/16" (78MM)	1 13/16" (56MM)	CP48160-PP
	1 1/2" HOSE BARB	50	2" (51MM)	2" (51MM)	CP45506-PP
	1 1/2" HOSE BARB	75	3 1/16" (78MM)	2 3/16" (56MM)	CP46067-PP
	2" HOSE BARB	75	3 1/16" (78MM)	2 3/4" (70MM)	CP48161-PP

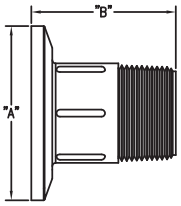
DIMENSIONS	DESCRIPTION	SERIES	"A"	"B"	"C"	PART NUMBER
	90° x 3/4" HOSE BARB	50	2" (51MM)	1 1/2" (38MM)	2" (51MM)	CP48151-PP
	90° x 1" HOSE BARB	50	2" (51MM)	1 1/2" (38MM)	2" (51MM)	CP48152-PP
	90° x 1-1/4" HOSE BARB	50	2" (51MM)	1 15/16" (49MM)	2 9/16" (65MM)	CP72238-PP
	90° x 1 1/4" HOSE BARB	75	3 1/16" (78MM)	1 15/16" (49MM)	2 9/16" (65MM)	CP48162-PP
	90° x 1-1/2" HOSE BARB	50	2" (51MM)	1 15/16" (49MM)	2 9/16" (65MM)	CP72239-PP
	90° x 1 1/2" HOSE BARB	75	3 1/16" (78MM)	1 15/16" (49MM)	2 9/16" (65MM)	CP48163-PP
	90° x 2" HOSE BARB	75	3 1/16" (78MM)	1 15/16" (49MM)	3 5/16" (84MM)	CP48164-PP

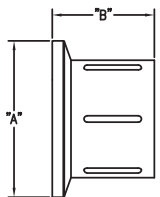
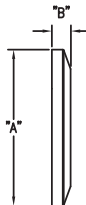
**FEATURES INCLUDE:**

- POLYPROPYLENE CONSTRUCTION
- O-RING SEAL (NOT INCLUDED)
- FULL PORT DESIGN
- NPT AND BSPT THREADS
- MAXIMUM PRESSURE RATING OF 200 PSI FOR 75-SERIES FITTINGS
- MAXIMUM PRESSURE RATING OF 300 PSI FOR 50-SERIES FITTINGS

**HOW TO ORDER:**

- TO ORDER A FITTING SPECIFY THE PART NUMBER.  
EXAMPLE: CP48158-PP
- TO ORDER CLAMPS AND O-RING FOR THE 75 SERIES SPECIFY PART NUMBER 55245-75 (STAINLESS STEEL). FOR THE 50-SERIES SPECIFY 55245-50 (STAINLESS STEEL) OR 46070 (NYLON, 50-SERIES).  
EXAMPLE: 55245-75
- TO ORDER A FITTING SPECIFY THE PART NUMBER. FOR BSPT OR BSPP ADD A "B" OR A "P" RESPECTIVELY AFTER THE "CP".  
EXAMPLE: CPB48154-PP

DIMENSIONS	DESCRIPTION	SERIES	"A"	"B"	PART NUMBER
	3/4" MALE PIPE THREAD	50	2" (51MM)	2" (51MM)	CP48172-PP
	1" MALE PIPE THREAD	50	2" (51MM)	2 3/16" (56MM)	CP48155-PP
	1 1/4" MALE PIPE THREAD	75	3 1/16" (78MM)	2 1/2" (64MM)	CP48165-PP
	1 1/2" MALE PIPE THREAD	50	2" (51MM)	2 3/4" (70MM)	CP48156-PP
	1 1/2" MALE PIPE THREAD	75	3 1/16" (78MM)	2 1/2" (64MM)	CP48166-PP
	2" MALE PIPE THREAD	75	3 1/16" (78MM)	2 9/16" (65MM)	CP48167-PP

DIMENSIONS	DESCRIPTION	SERIES	"A"	"B"	PART NUMBER
	1" FEMALE PIPE THREAD	50	2" (51MM)	2" (51MM)	CP48154-PP
	1 1/4" FEMALE PIPE THREAD	50	2" (51MM)	2" (51MM)	CP45512-PP
	1 1/2" FEMALE PIPE THREAD	75	3 1/16" (78MM)	2" (51MM)	CP46066-PP
	1/4" GAUGE PORT	50	2" (51MM)	3/4" (19MM)	CP45508-1/4-PP
	3/8" GAUGE PORT	50	2" (51MM)	3/4" (19MM)	CP45539-3/8-PP
	1/4" GAUGE PORT	75	3 1/16" (78MM)	3/8" (9MM)	CP46127-1/4-PP
	3/8" GAUGE PORT	75	3 1/16" (78MM)	3/8" (9MM)	CP46127-3/8-PP
	BLANK INLET COVER	50	2" (51MM)	5/16" (8MM)	CP45507-PP
	75	3 1/16" (78MM)	3/8" (9MM)	CP46069-PP	

**DESCRIPTION:**

50- & 75-SERIES  
 FLANGED HOSE BARBS,  
 THREADED FITTINGS,  
 GAUGE PORTS,  
 & BLANKS



**Spraying Systems Co.**<sup>®</sup>

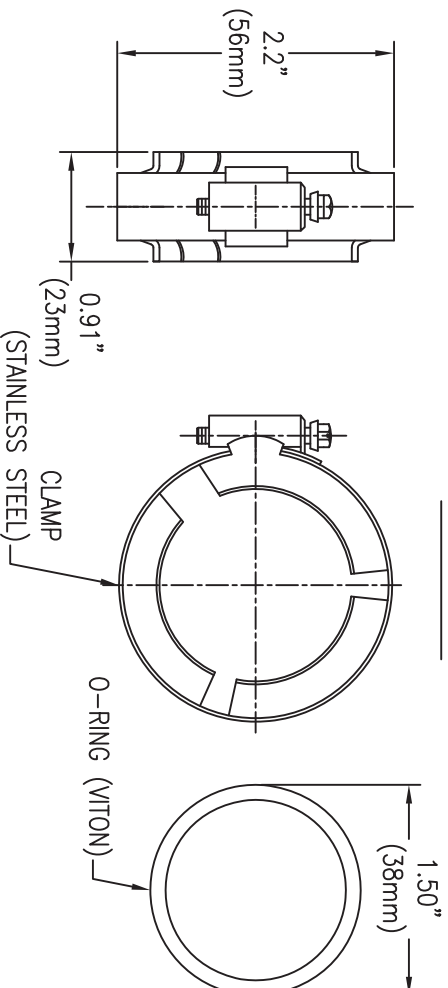
Spray Nozzles and Accessories  
 P.O. Box 7900 - Wheaton, IL 60189-7900

Rev. No. 3

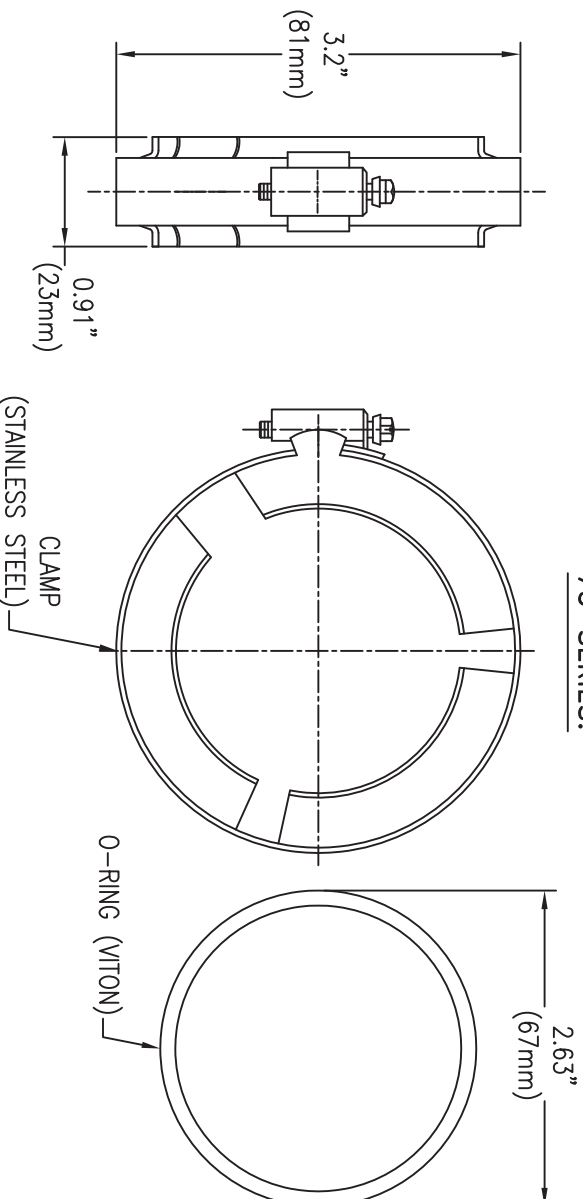
Ref.

DATA SHEET  
**FLANGE-1**  
 SHEET OF

**50-SERIES:**



**75-SERIES:**



**FEATURES:**

- STAINLESS STEEL CLAMP CONSTRUCTION WITH VITON® O-RINGS
- WORM DRIVE SCREW WITH 5/16" (8mm) HEX DRIVE AND SCREWDRIVER SLOT
- FOR USE WITH TEEJET® 50- AND 75-SERIES FLANGE FITTINGS
- RECOMMENDED INSTALLATION TORQUE: 40 IN-LB (4.5 N-m)

**HOW TO ORDER:**

PART DESCRIPTION	50-SERIES PART NO.	75-SERIES PART NO.
CLAMP & O-RING	55245-50	55245-75
CLAMP	CP55246-50-SS	CP55246-75-SS
O-RING	CP7717-2-222-VI	CP7717-2-229-VI

VITON® IS A TRADEMARK OF DUPONT PERFORMANCE ELASTOMERS

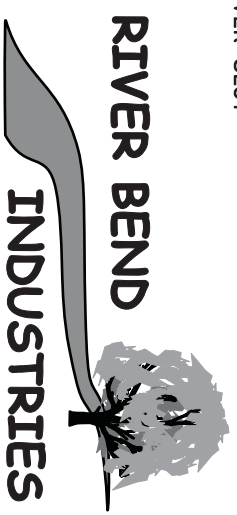
**DESCRIPTION:**

**55245-50 & 55245-75**  
**50- & 75-SERIES**  
**STAINLESS STEEL**  
**FLANGE CONNECTORS**



**Spraying Systems Co.®**

Spray Nozzles and Accessories  
 P.O. Box 7900 - Wheaton, IL 60189-7900



Moorhead, MN 56560  
 218-236-1818  
 800-365-3070  
[www.riverbendind.com](http://www.riverbendind.com)

Rev. No.  
 Ref.

DATA SHEET  
**55245**  
 SHEET OF