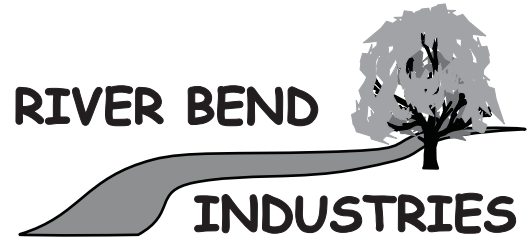
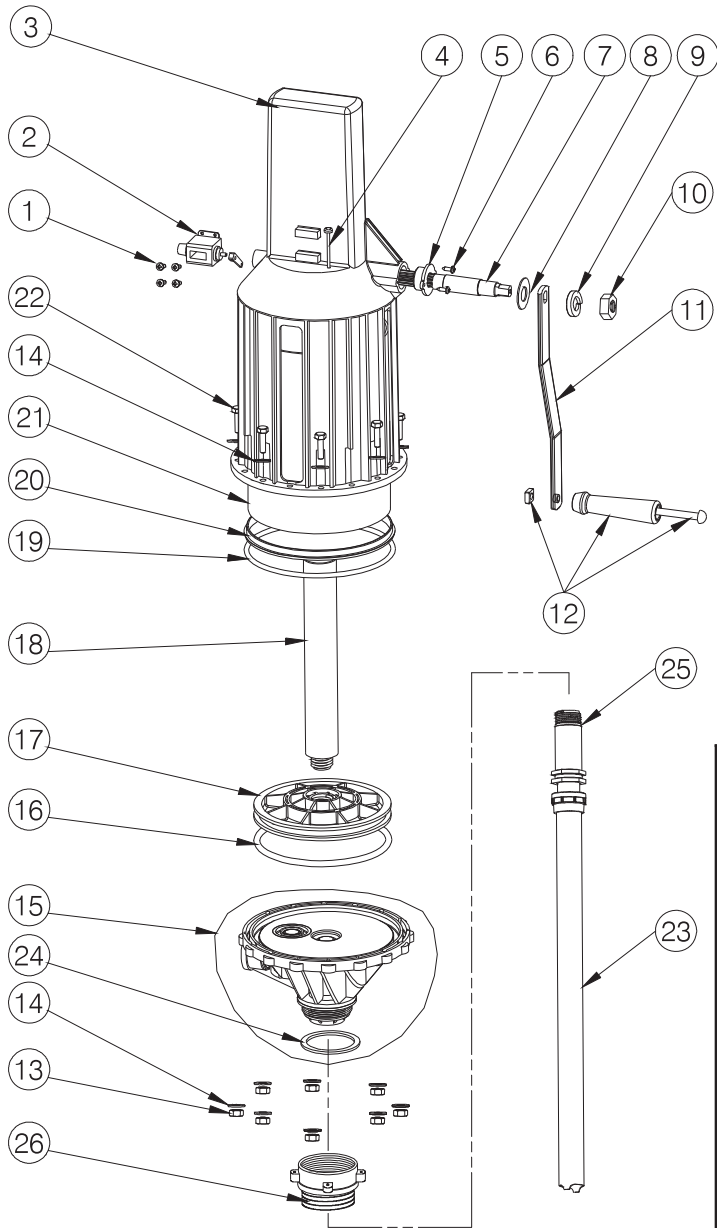


Sotera - MODEL 39 & 39C



Moorhead, MN 56560
 218-236-1818
 800-365-3070
www.riverbendind.com

Patent No. 5713723

MODEL 39 REPAIR KIT- 39KTG7258			
ITEM NO.	PART NO.	DESCRIPTION	QTY
17	39F1789	Plunger	1
21	39F1810	Calibrated Tube	1
16	39F1815	Plunger O-Ring	1
20	39F1812	Base O-Ring	1

MODEL 39 PARTS LIST				
ITM No.	Part No.	Description	Wetted Materials	Qty.
1	35F1397	Screw, #4 X 3/8", 4 required		Opt.
2	35F1292	Counter with Lever Arm		Opt.
3	39F1788	Pump Shroud	Polypropylene	1
4	39G7141	Counter Activator, Gallon		Opt.
	39G7145	Counter Activator, 4 Liter		Opt.
5	35F1283	Bushing		1
6	35F1396	Screw, #8 x 1/2"		2
7	39F1811	Pinion	Steel	1
8	39F1837	Washer, Nylon		1
9	35F1372	Lockwasher, Nylon		1
10	35F1371	Hex Nut, 1/2-13		1
11	39F1820	Crank Handle		1
12	100F1086	Grip Assembly		1
13	35F7224	Locknut, 1/4-20		8
14	400F6793	Washer, 1/4" Flat		16
15	39G7042	Base Assembly, NPT Threads	Polypropylene,	1
	39G8085	Base Assembly, BSPT Outlet	Hastelloy-C	
16	39F1815	Plunger O-Ring (-435)	Fluorocarbon	1
17	39F1789	Plunger	Polypropylene	1
18	39F1793	Rack, Gallon	Steel	1
	39F1833	Rack, Liter		Opt.
19	39F1814	Base O-Ring (-363)	Fluorocarbon	1
20	39F1812	Spacer Ring		1
21	39F1810	Tube, Printed	Barex	1
22	39F1822	Screw, 1/4-20 x 1.25 HHCS		8
23	39G7043	Suction Tube	Polypropylene	1
24	35F1312	Bung Gasket (Included w/Item 15)		1
25	39G7044	O-Ring (Included w/Item 23)	Fluorocarbon	1
26	BCHBU200	2" Buttress/2" NPT Adapter		

