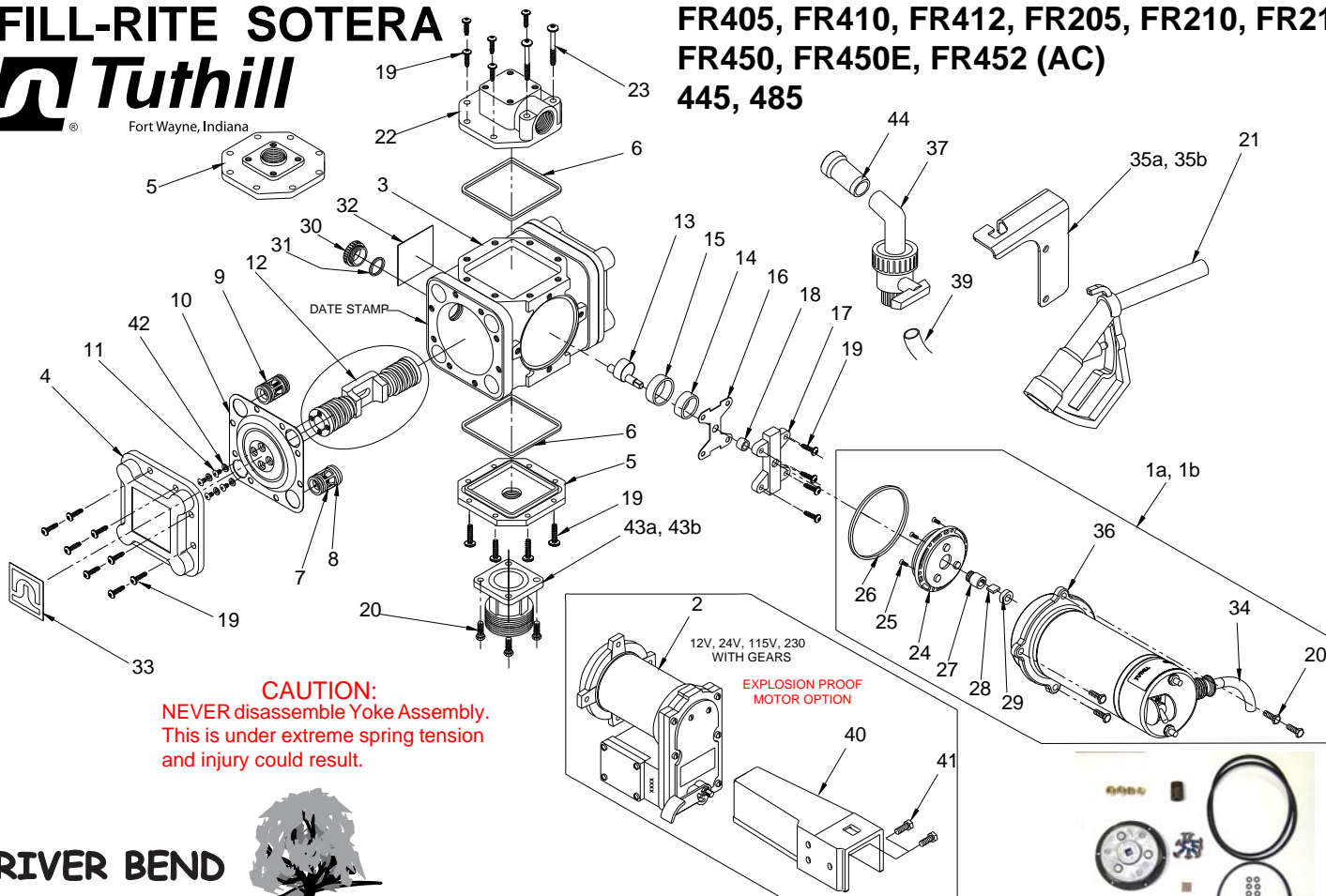


FILL-RITE SOTERA



Fort Wayne, Indiana

FR405, FR410, FR412, FR205, FR210, FR212 (DC)
FR450, FR450E, FR452 (AC)
445, 485



CAUTION:
NEVER disassemble Yoke Assembly.
This is under extreme spring tension
and injury could result.

RIVER BEND



INDUSTRIES

Moorhead, MN 56560
218-236-1818
800-365-3070
www.riverbendind.com

16 Oz SAE 30W Oil for gearcase

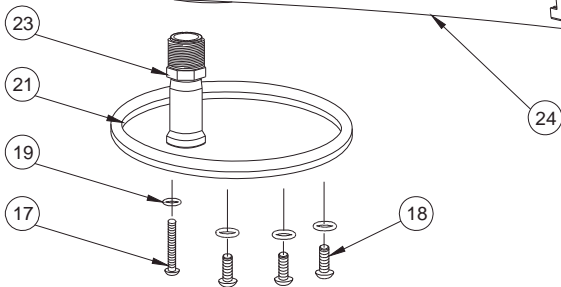
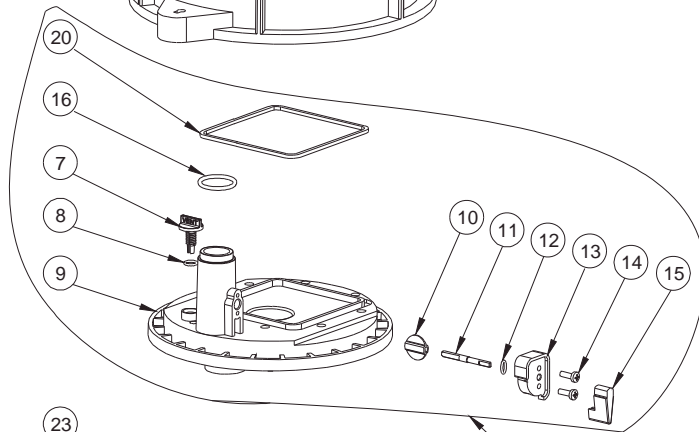
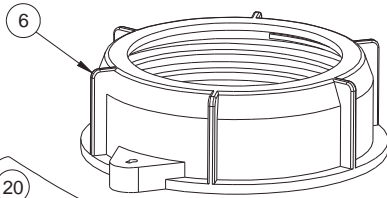
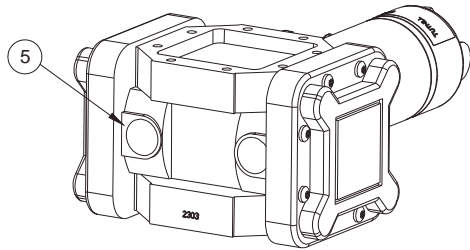
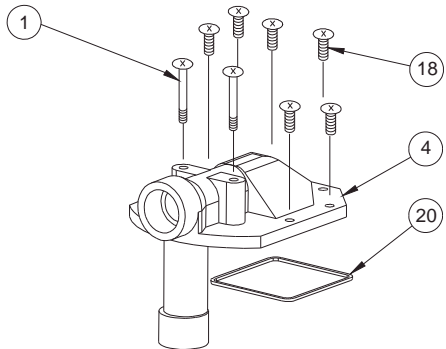
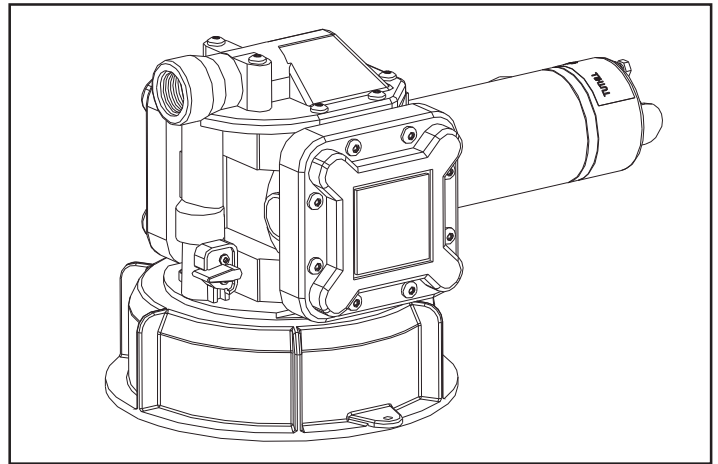
400TKF6862	Series 400A Repair Kit (FilCon) (Includes Items 6-11, 24-28, & 42)
400TKF6863	Series 400A Repair Kit (Santoprene) (Includes Items 6-11, 24-28, & 42)



Ref. No.	Part No.	Description	Qty
1a	400G9734	12 VDC Motor with aears	Opt
1b	400G9735	115 VAC 60 Hz Motor with aears	Opt
2a	400EXPF6846	Motor Assembly - 12 VDC EXP PROOF	Opt
2b	200EXPG7738	Motor Assembly - 24 VDC EXP PROOF	Opt
2c	400EXPF7351	Motor Assembly - 115 VDC EXP PROOF	Opt
2d	400EXPG7186	Motor Assembly - 230 VDC EXP PROOF	Opt
3	N/A	Pump Body	1
4	400F6568	Pump Cover	2
5	400F6569	Flange, Straight	1
6	400F6924	Gasket, Inlet Flange	2
7	400F6571	Check Valve, Inlet	4
8	35F6588	O-ring (-117) (Included w/Item 7)	4
9	400F6589	Check Valve, Outlet	4
10	400F7238	Diaphragm Assembly - FilCon ™ (Includes Items 7, 8, 9) Black	2
	400G8964	Diaphragm Assembly - Santoprene ™ (Includes Items 7, 8, 9) Green	Opt
11	400F6795	#10-24 x 1/2 THMS	8
12	400F6781	Yoke Assembly	1
13	400F6800	Drive Shaft	1
14	400F6819	Eccentric Bushing	1
15	400F6827	Bearing Ring	1
16	400F6880	Thrust Plate	1
17	400F6579	Bearing Plate	1
18	400F6693	Shaft Bushing	2
19	400G9685	1/4 x 1" PTS Screw SS	34
20	400F0267	1/4-20 x 3/4 PHMS	8
21	6U100	Nozzle, Aluminum	1

Ref. No.	Part No.	Description	Qty
22	400F6679	90° Flange with Brass Inserts	1
23	400G9687	1/4 x 2.3 PTS Screw SS	2
24	400F6557	Gear Assembly (Included w/Item 1 or 2)	1
25	400G7494	36-32 x 1/2 FHMS (Incl. w/Item 1 or 2)	6
26	400F6692	Gasket, Motor Flange	1
27	400F6563	Drive Gear (Included w/Item 1 or 2)	1
28	1200F6440	Drive Key (Included w/Item 1 or 2)	1
29	400G9104	Shaft Seal (Included w/Item 1 or 2)	1
30	400F6818	Sight Cap, Polypropylene	2
31	400F6813	O-Ring (-022)	2
32	400F8517	Nameplate	1
33	400F6758	Logo Plate	2
34	1200F7207	Cable 20 feet (DC Only)	20Ft
35a	400G9736	Nozzle Holder, Aluminum Nozzle	Opt
35b	400G9737	Nozzle Holder, Poly Nozzle	Opt
36	400F6566	Gear Housing (Included w/Item 1 or 2)	1
37	400G7006	Ball Valve Nozzle 1" Poly Nozzle	Opt
39	700F3123	1" x 12' EPDM Hose	Opt
	400F3140	1" x 12' Polyethylene Lined Hose	Opt
40	700F6748	Nozzle Cover (Explosive Proof Motor)	Opt
41	600F2220	5/16-18 x 3/4 HHCS	Opt
42	400G8887	O-Ring (-007)	8
43a	400G9140	Buna Adapter, NPT	Opt
43b	400F6528	Buna Adapter - Buttress	Opt
44	400KTF0237	Anti-Drip Spout	Opt
	400F7320	Power Cord (115 VAC Only) (Not Shown)	Opt
	650G7185	Power Cord (230 VAC Only) (Not Shown)	Opt
	400F1855	Suction Pipe, Polypropylene (Not Shown)	Opt
		Telescoping	

Model 445 (DC), 485 (AC) MIX & GO®



Parts unique to the SS445 (SS485)

ITM. NO.	PART NO.	DESCRIPTION	QTY.
1	400F6817	1/4-20 x 2 1/2" Bolt	2
3	400F6792	1/4-20 x 3/4" Bolt	6
4	400F0183	Outlet Flange	1
5		Basic Ag Pump 445 DC	1
		Basic Ag Pump 485 AC	opt
6	400F1525	Gem Cap	1
7	445F1634	Vent Assembly with O-Ring	1
8	445F1635	Vent O-Ring (Included w/Item 7)	1
9	445F1587	Inlet Flange	1
10	440F1592	Valve	1
11	445F1609	Shaft	1
12	800F4036	O-Ring	1
13	440F1589	Bushing	1
14	445G9008	Screw	2
15	440F1588	Handle	1
16	442F0214	O-Ring	1
17	445F1610	Long Phillips Screw	2
18	400F0267	Short Phillips Screw	6
19	900F8159	O-Ring	8
20	400F6924	Gasket	2
21	445F1643	Tank Gasket, EPDM	1
23	400F0778	Liquid Recirculation Nozzle Valve	1
24	445G9318	Recirculating Flange Kit	

RIVER BEND



INDUSTRIES

Moorhead, MN 56560
218-236-1818
800-365-3070
www.riverbendind.com