

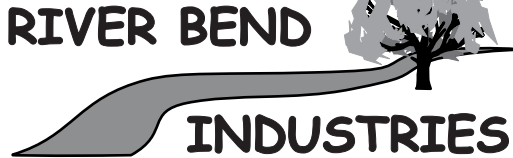
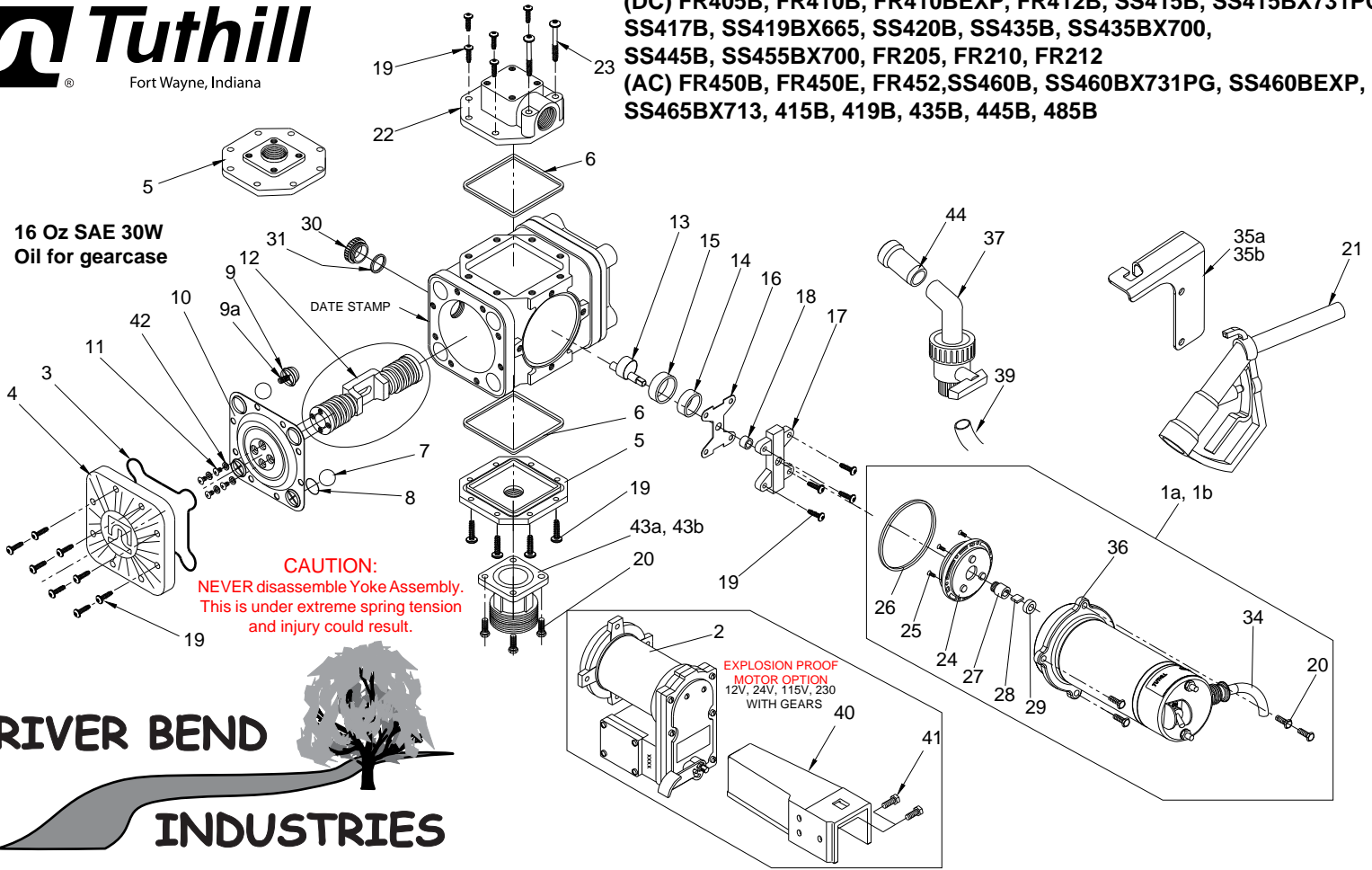
FILL-RITE SOTERA



Fort Wayne, Indiana

400B Series Date Code 0310 and Later

(DC) FR405B, FR410B, FR410BEXP, FR412B, SS415B, SS415BX731PG, SS417B, SS419BX665, SS420B, SS435B, SS435BX700, SS445B, SS455BX700, FR205, FR210, FR212  
(AC) FR450B, FR450E, FR452, SS460B, SS460BX731PG, SS460BEXP, SS465BX713, 415B, 419B, 435B, 445B, 485B



Moorhead, MN 56560  
218-236-1818  
800-365-3070  
www.riverbendind.com

400KTH1178	Series 400B Diaphragm Kit- Santoprene	Includes: 1 of #3, 1 of #4, 4 of #7, 4 of #8,
400KTH1179	Series 400B Diaphragm Kit- Filcon	2 of #9, 1 of #10, 4 of #11, 4 of #42,
400KTH1457	Series 400B Repair Kit- Santoprene Diaphragm	Includes: 2 of #10, 1 of #25, 1 of #27, 1 of #28,
400KTH1456	Series 400B Repair Kit- Filcon Diaphragm	1 of #26, 2 of #6, 2 of 400F0267, 2 Threaded Inserts

Ref. No.	Part No.	Description	Qty
1a	400G9734	12 VDC Motor with aears	Opt
1b	400G9735	115 VAC 60 Hz Motor with Gears	Opt
2a	400EXPF6846	Motor Assembly - 12 VDC EXP PROOF	Opt
2b	200EXPG7738	Motor Assembly - 24 VDC EXP PROOF	Opt
2c	400EXPF7351	Motor Assembly - 115 VDC EXP PROOF	Opt
2d	400EXPG7186	Motor Assembly - 230 VDC EXP PROOF	Opt
3	400H1164	Diaphragm Cover Gasket	2
4	400H1154	Diaphragm Cover	2
5	400F6569	Flange Straight	1
6	400F6924	Gasket Inlet Flange	2
7	400F6574	Check Valve Ball	8
8	400H1171	O-Ring (-117) (Included w/Item 7)	8
9	400H1180	Outlet Check Valve Assembly with Spring	4
10	400H1178	Diaphragm Assy - Santoprene TM Green Outlet Check Valve Assembly w/Spring	2
10	400H1179	Diaphragm Assy - FilCon TM Black Outlet Check Valve Assembly w/Spring	2
11	400F6795	#10-24 x 1/2 THMS	8
12	400F6781	Yoke Assembly	1
13	400F6800	Drive Shaft	1
14	400F6819	Eccentric Bushing	1
15	400F6827	Bearing Ring	1
16	400F6880	Thrust Plate	1
17	400F6579	Bearing Plate	1
18	400F6693	Shaft Bushing	2
19	400G9685	1/4 x 1" PTS Screw SS	34
20	400F6792	1/4-20 x 3/4 HHCS	8
21	6U100	Nozzle, Aluminum	1

Ref. No.	Part No.	Description	Qty
22	400F6679	90° Flange With Brass Inserts	1
23	400G9687	1/4 x 2.3 PTS Screw SS	2
24	400F6557	Gear Assemblv (Included w/Item 1 or 2)	1
25	400G7494	#6-32 x 1/2 FHMS (Incl. w/Item 1 or 2)	6
26	400F6692	Gasket Motor Flange	1
27	400F6563	Drive Gear (Included w/Item 1 or 2)	1
28	1200F6440	Drive Key (Included w/Item 1 or 2)	1
29	400G9104	Shaft Seal (Included w/Item 1 or 2)	1
30	400F6818	Sight Cap. Polypropylene	2
31	400F6813	O-Ring (-022)	2
34	1200F7207	Cable 20 feet (DC Only)	20Ft
35a	400G9736	Nozzle Holder Aluminum Nozzle	Opt
35b	400G9737	Nozzle Holder Poly Nozzle	Opt
36	400F6566	Gear Housing (Included w/Item 1 or 2)	1
37	400G7006	Ball Valve Nozzle 1" Poly Nozzle	Opt
39	700F3123	1" x 12' EPDM Hose	Opt
	400F3137	1" x 12' Nitrate Hose w/Threaded Ends	Opt
40	700F6748	Nozzle Cover (EXPlusive Proof Motor)	Opt
41	600F2220	5/16-18 x 3/4 HHCS	Opt
42	400G8887	O-Ring (-007)	8
43a	400G9140	Bung Adapter - NPT	Opt
43b	400F6528	Bung Adapter - Buttress	Opt
44	400KTF0237	Anti-Drip Spout - Fluorocarbon	Opt
	435G9126	Anti-Drip Spout - EPDM	Opt
	400F7320	Power Cord (115 VAC Only) (Not Shown)	Opt
	650G7185	Power Cord (230 VAC Only) (Not Shown)	Opt
	400F1855	Suction Pipe, Polypropylene (Not Shown) Telescoping	Opt

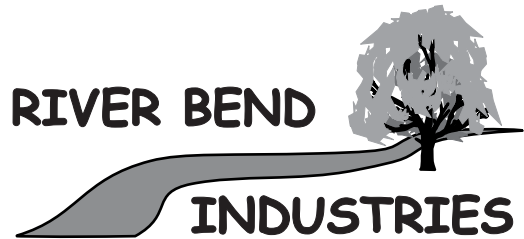
# FR405, FR410, FR412, FR205, FR210, FR212 (DC) & FR450, FR450E, FR452 (AC) 415B, 419B, 435B, 445B, 485B

SERIES 400B PUMP PARTS LIST			
Ref. No.	Part. No.	Description	Qty
1a	400G9734	12 VDC Motor with gears	Opt.
1b	400G9735	115 VAC 60 Hz Motor with gears	Opt.
2a	400EXPF6846	Motor Assembly - 12 VDC EXP PROOF	Opt.
2b	200EXPG7738	Motor Assembly - 24 VDC EXP PROOF	Opt.
2c	400EXPF7351	Motor Assembly - 115 VDC EXP PROOF	Opt.
2d	400EXPG7186	Motor Assembly - 230 VDC EXP PROOF	Opt.
3	400H1164	Diaphragm Cover Gasket	2
4	400H1154	Diaphragm Cover	2
5	400F6569	Flange, Straight	1
6	400F6924	Gasket, Inlet Flange	2
7	400F6574	Check Valve Ball	8
8	400H1171	O-Ring (-117) (Included w/Item 7)	8
9	400F1180	Outlet Check Valve Assembly w/Spring	4
9a	400G7163	Check Valve Spring (Included in 9 & 10)	8
10	400F6917	Diaphragm Assm - Santoprene TM Green	2
	400F7238	Diaphragm Assm - FilCon TM Black	Opt.
11	400F6795	#10-24 x 1/2 THMS	8
12	400F6781	Yoke Assembly	1
13	400F6800	Drive Shaft	1
14	400F6819	Eccentric Bushing	1
15	400F6827	Bearing Ring	1
16	400F6880	Thrust Plate	1
17	400F6579	Bearing Plate	1
18	400F6693	Shaft Bushing	2
19	400G9685	1/4 x 1" PTS Screw, SS	34
20	400F6792	1/4-20 x 3/4 HHCS	8
21	6U100	Nozzle, Aluminum	1
22	400F6679	90° Flange With Brass Inserts	1
23	400G9687	1/4 x 2.3 PTS Screw, SS	2
24	400F6557	Gear Assembly (Included w/ Item 1 or 2)	1
25	400G7494	#6-32 x 1/2 FHMS (Incl. w/Item 1 or 2)	6
26	400F6692	Gasket Motor Flange	1
27	400F6563	Drive Gear (Included w/Item 1 or 2)	1
28	1200F6440	Drive Key (Included w/Item 1 or 2)	1
29	400G9104	Shaft Seal (Included w/Item 1 or 2)	1
30	400F6818	Sight Cap, Polypropylene	2
31	400F6813	O-Ring (-022)	2
34	1200F7207	Cable 20 feet (DC Only)	20FT
35a	400G9736	Nozzle Holder, Aluminum Nozzle	Opt.
35b	400G9737	Nozzle Holder, Polly Nozzle	Opt.
36	400F6566	Gear Housing (Included w/Item 1 or 2)	1
37	400G7006	Ball Valve Nozzle, 1" Poly Nozzle	Opt.
39	700F3123	1" x 12' EPDM Hose	Opt.
	400F3137	1" x 12' Nitrate Hose w/Threaded Ends	Opt.
40	700F6748	Nozzle Cover (Explosive Proof Motor)	Opt.
41	600F2220	5/16-18 x 3/4 HHCS	Opt.
42	400G8887	O-Ring (-007)	8
43a	400G9140	Bung Adapter - NPT	Opt.
43b	400F6528	Bung Adapter - Buttress	Opt.
44	400KTF0237	Anti-Drip Spout - Fluorocarbon	Opt.
	435G9126	Anti-Drip Spout - EPDM	Opt.
	400F7320	Power Cord (115 VAC Only) (Not Shown)	Opt.
	650G7185	Power Cord (230 VAC Only) (Not Shown)	Opt.
	400F1855	Suction Pipe, Polypropylene (Not Shown)	Opt.
		Telescoping	

16 Oz SAE 30W Oil for gearcase

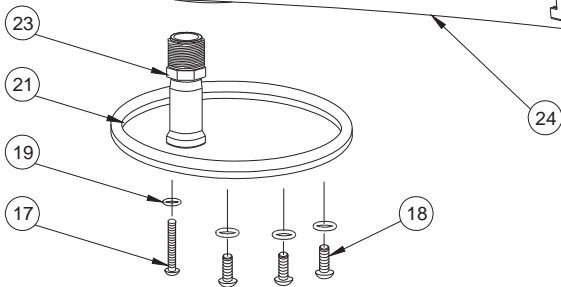
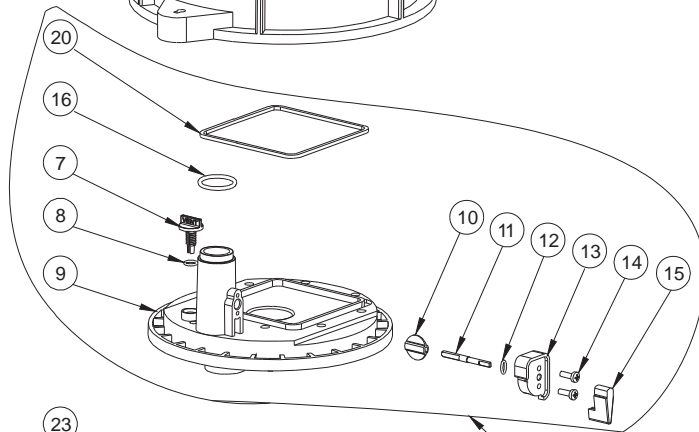
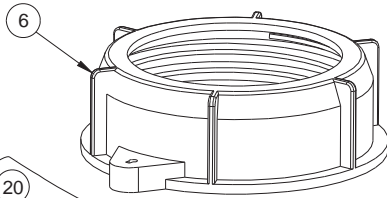
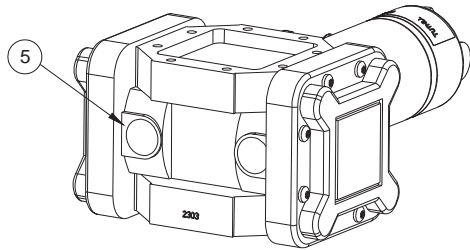
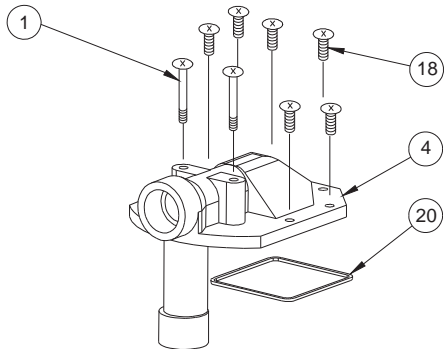
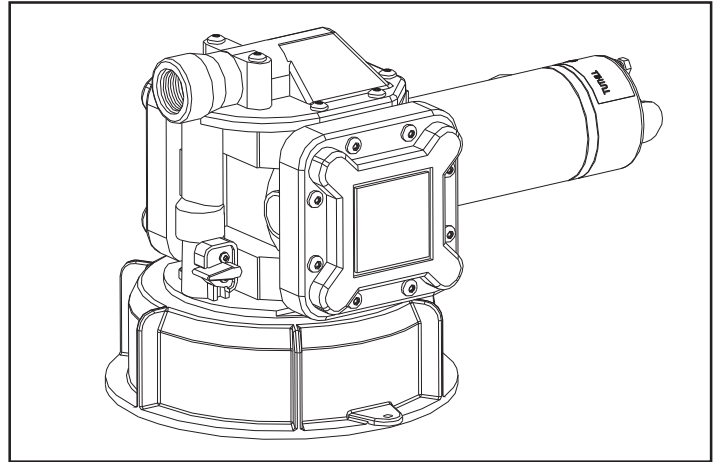
**WHEN ORDERING REPAIR PARTS, BE SURE TO GIVE REPLACEMENT PART NUMBER, DATE OF MANUFACTURE AND PUMP MODEL NUMBER. THIS WILL ENSURE THAT THE CORRECT REPLACEMENT PART IS SUPPLIED**

<b>400TKF6862</b>	<b>Series 400 Repair Kit (Includes Items 6-11, 24-28, &amp; 42)</b>
-------------------	---



**Moorhead, MN 56560  
218-236-1818  
800-365-3070  
www.riverbendind.com**

# Model 445 (DC), 485 (AC) MIX & GO®



## Parts unique to the SS445 (SS485)

ITM. NO.	PART NO.	DESCRIPTION	QTY.
1	400F6817	1/4-20 x 2 1/2" Bolt	2
3	400F6792	1/4-20 x 3/4" Bolt	6
4	400F0183	Outlet Flange	1
5		Basic Ag Pump 445 DC	1
		Basic Ag Pump 485 AC	opt
6	400F1525	Gem Cap	1
7	445F1634	Vent Assembly with O-Ring	1
8	445F1635	Vent O-Ring (Included w/Item 7)	1
9	445F1587	Inlet Flange	1
10	440F1592	Valve	1
11	445F1609	Shaft	1
12	800F4036	O-Ring	1
13	440F1589	Bushing	1
14	445G9008	Screw	2
15	440F1588	Handle	1
16	442F0214	O-Ring	1
17	445F1610	Long Phillips Screw	2
18	400F0267	Short Phillips Screw	6
19	900F8159	O-Ring	8
20	400F6924	Gasket	2
21	445F1643	Tank Gasket, EPDM	1
23	400F0778	Liquid Recirculation Nozzle Valve	1
24	445G9318	Recirculating Flange Kit	

**RIVER BEND**



**INDUSTRIES**

Moorhead, MN 56560  
218-236-1818  
800-365-3070  
www.riverbendind.com