

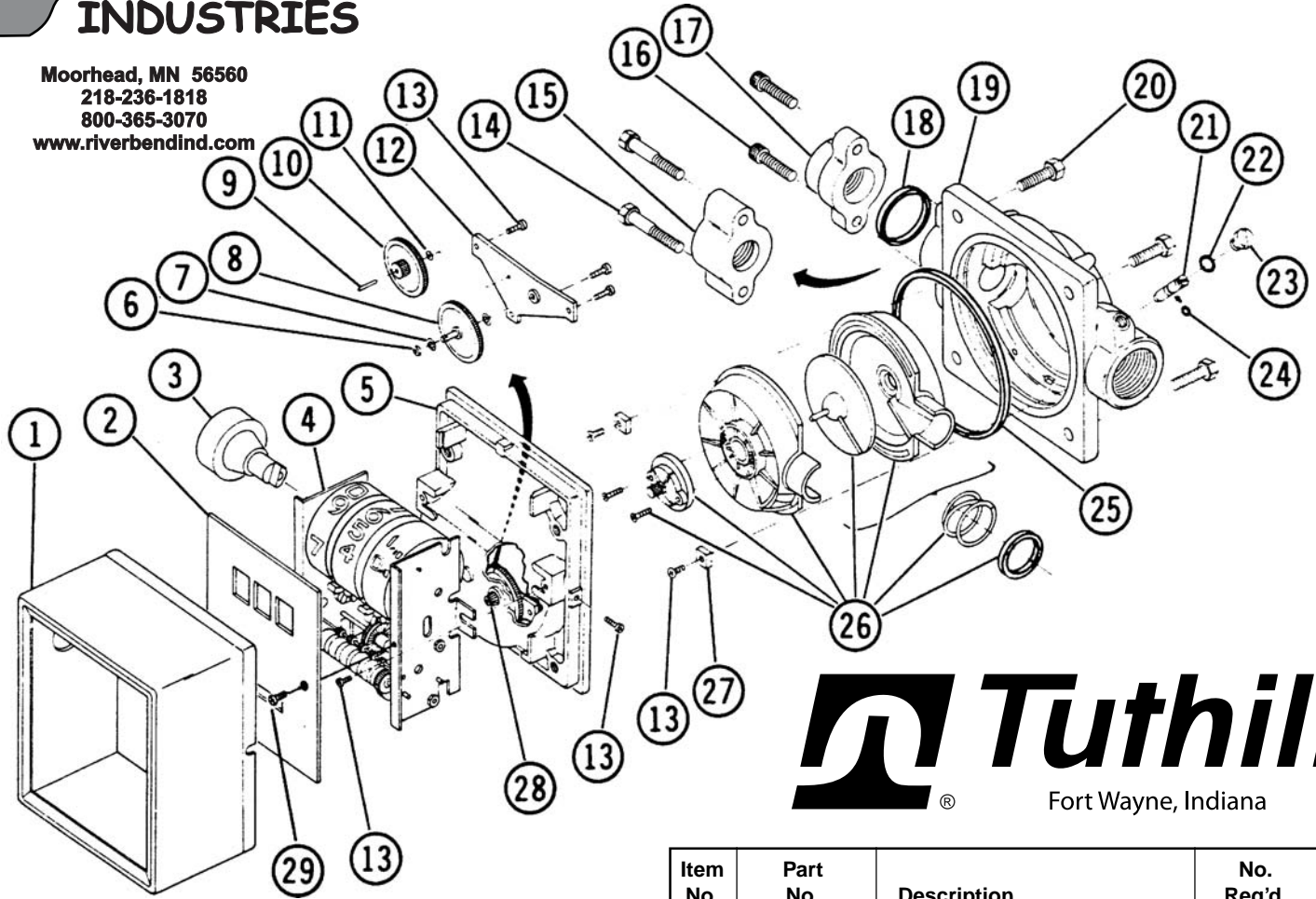
RIVER BEND



INDUSTRIES

Moorhead, MN 56560  
218-236-1818  
800-365-3070  
www.riverbendind.com

**FILL-RITE** Model 800A Meter



Item No.	Part No.	Description	No. Req'd.
1	800-88	Counter cover	1
2	800-100A	Counter face	1
3	800G8870	Knob assy.	1
4	800F4080	Counter - U.S. Gal	1
	800F4081	Counter - Liter	As Rqd.
5	800-87A	Meter cover	1
	800-87AT	Meter cover	
		Teflon coated	As Rqd.
	800-87AN	Meter cover	
		Nickel plated	As Rqd.
6	800-97V	O-ring (5-106) Viton	1
7	800-55	Washer	2
8	800-160A	Drive gear (70T)	
		U.S. Gallon	1
	800-162A	Drive gear (84T) - Liter	As Rqd.
9	800-16	Shaft - cluster gear	1
10	800-159	Cluster gear (22T/67T)	
		U.S. Gallon	1
	800-161	Cluster gear (10T/67T)	
		Liter	As Rqd.
11	800-18	Washer	1
12	800-171	Gear frame	1
13	800-60	#8-32 x 5/16 PHMS	9
14	600-124	5/16 - 18 x 1-3/4 HHCS	2
15	800-120	Inlet fitting 1"	1
	800-120T	Inlet fitting 1"	
		Teflon coated	As Rqd.
	800-120N	Inlet fitting 1"	
		Nickel plated	As Rqd.

Item No.	Part No.	Description	No. Req'd.
16	800-110	5/16-18 x 7/8 SHCS	2
17	800-109	Meter fitting - 3/4"	1
	800-109T	Meter fitting - 3/4"	
		Teflon coated	As Rqd.
	800-190N	Meter fitting - 3/4"	
		Nickel plated	As Rqd.
18	700-15	O-ring (-218)	1
	700-15V	O-ring (-218) - Viton	As Rqd.
19	800-86	Meter housing - 3/4"	1
	800-86 1"	Meter housing	As Rqd.
	800-86T	Meter housing - 3/4"	
		Teflon coated	As Rqd.
	800-86T 1"	Meter housing	
		Teflon coated	As Rqd.
	800-86N	Meter housing - 3/4"	
		Nickel plated	As Rqd.
	800-86N 1"	Meter housing -	
		Nickel plated	As Rqd.
20	700-16	5/16-18 x 7/8 HHCS	4
21	800-146A	Calibration screw	
		(Incl. item 24)	1
22	800-125V	O-ring (-012) - Viton	1
23	800-124	Seal screw	1
24	800-68V	O-ring (-008) - Viton	1
25	800F4010	O-ring (-156) - BUNA	1
	800F4011	O-ring (-156) - Viton	As Rqd.
26	800-175	Meter chamber assy.	1
	800-158A	Pinion plate assy.	
		(Incl. w/ item 26)	1
27	800-169	Clamp	2
28	800-172	Pinion bevel	1
29	800-66	#4-40 x 1/4 PHMS	2