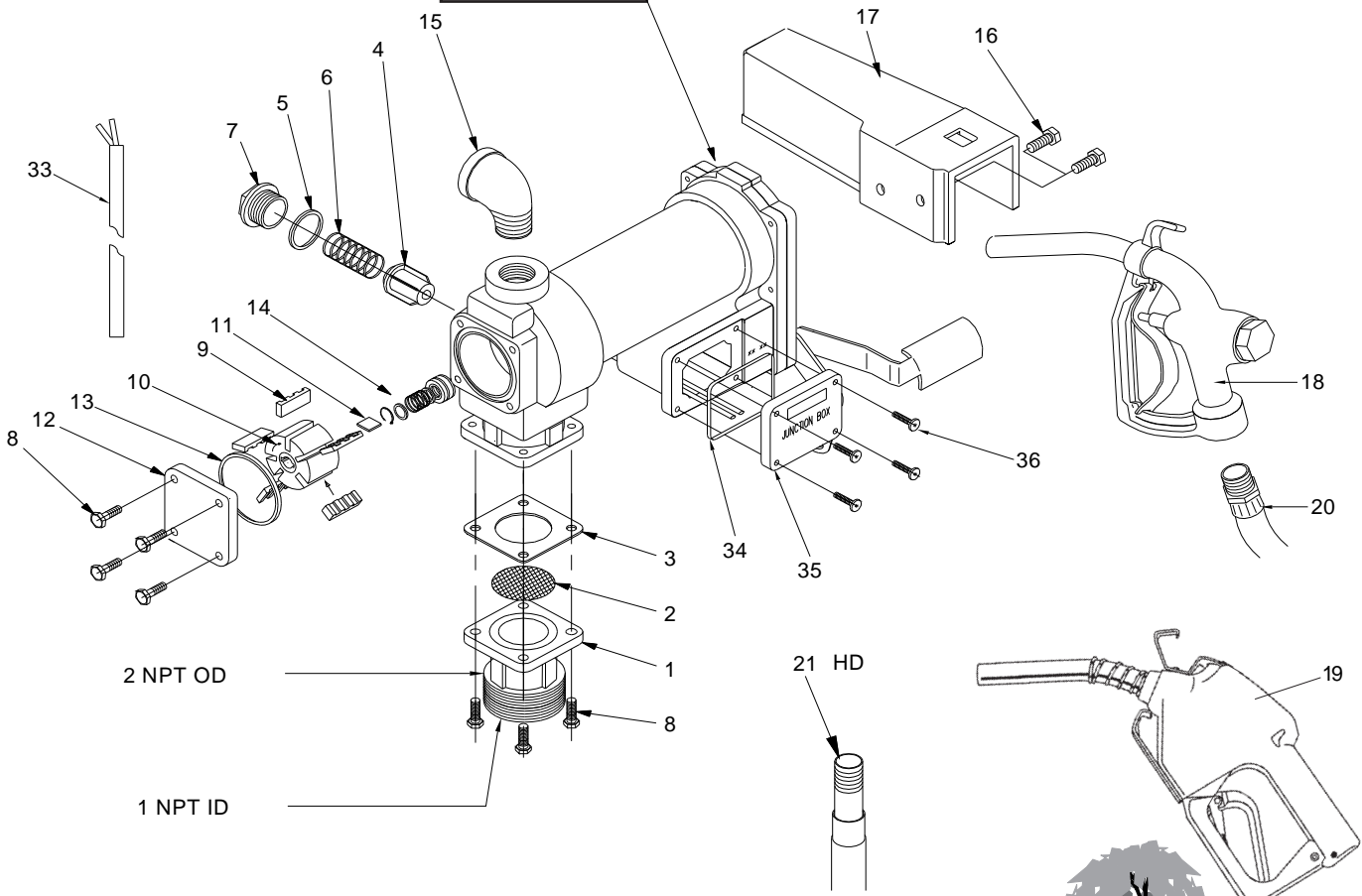


**For Bio Diesel Only**

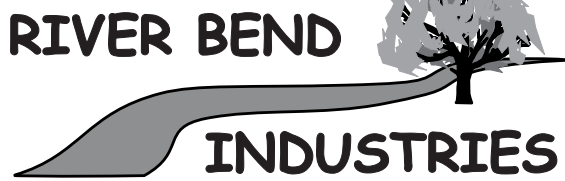
**Fill-Rite BD1200C and BD4200D**

Date of Manufacture can be found on the motor nameplate.  
XX XX  
Week year



**REPAIR KIT 1200KTH0710**  
Includes Items  
2, 3, 4, 5, 6, 9, 10, 11, 12, 13, 14

Optional Bio Diesel Meter Kits	
PART#	DESCRIPTION
BD807CMK	3/4" Meter with mechanical register for BD1210
BD901MK	1" Meter with mechanical register for BD4210



**Moorhead, MN 56560**  
**218-236-1818**  
**800-365-3070**  
[www.riverbendind.com](http://www.riverbendind.com)

**PARTS LIST**

ITM NO.	PART NO.	DESCRIPTION	QTY
1	1200F6465	Inlet Flange	1
2	100F0760	Screen	1
3	100F0792	Inlet Gasket Fluorocarbon	1
4	1200F2763	Bypass Valve Fluorocarbon	1
5	1200G9290	Bypass Gasket Fluorocarbon (-121)	1
6	1200F2770	Bypass Spring	1
7	1200F6464	Bypass Cap	1
8	1200F6721	1/4-20 x 3/4 HHCS	8
9	4200G9807	Vane, Carbon Wide	5
10	1200G8881	Rotor, 1-1/4"	1
11	1200F6440	Rotor Key	1
12	1200F6435	Rotor Cover	1
13	1200F6538	Rotor Cover Gasket Fluorocarbon (-138)	1
14	1200KTF6446	Seal Assembly	1
15	702F3400	3/4" Street Elbow (BD1210)	1
	800F4400	1" Street Elbow (BD4210)	1

ITM NO.	PART NO.	DESCRIPTION	QTY
16	600F2220	Screw 5/16-18 x 5/8 HHCS	2
17	700F6673	Nozzle Cover	1
18	BDH0709	1" Manual Nozzle	1
18b	6F3095	3/4 x 1 Reducer Bushing	1
19	BDH0707	3/4" Automatic Nozzle	OPT
	BDH0708	1" Automatic Nozzle	OPT
20	BDH0659	3/4" x 12' (BD1210)	1
	BDH0660	1" x 12' (BD4210)	1
21	1200KTG9099	Suction Pipe Steel	1
33	1200R9067	18' Power Cable	1
34	1200G9038	Junction Box Gasket	1
35	1200G8999	Junction Box Cover	1
36	VP1400F8823	Screw #10-32 x 3/4 PHMS	4

