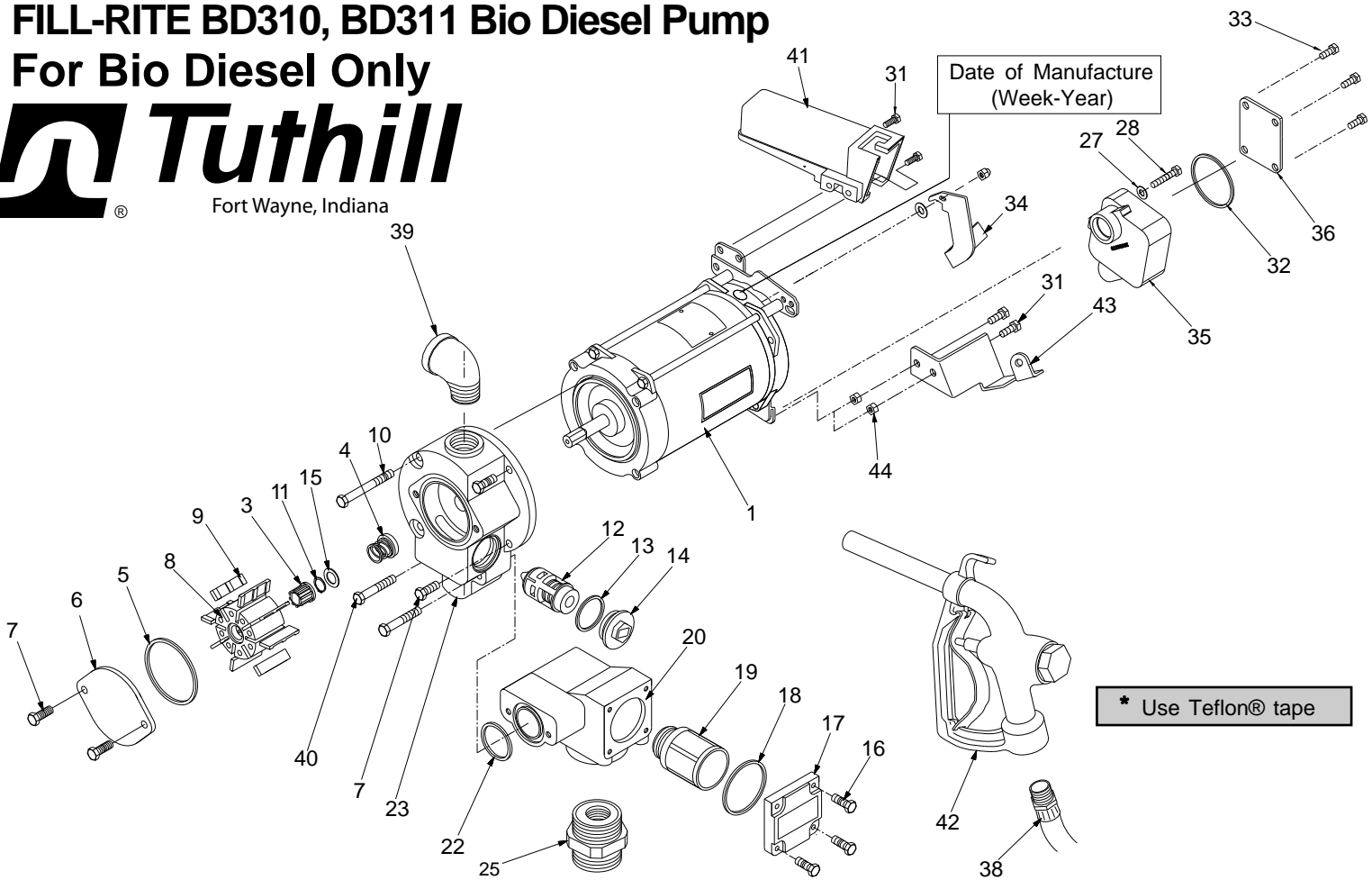


FILL-RITE BD310, BD311 Bio Diesel Pump

For Bio Diesel Only



Fort Wayne, Indiana



ITM. NO.	PART NO.	DESCRIPTION	QTY.
1	300G7376	Motor - 3/4 HP 115/230 VAC, 50/60 Hz (Models FR310, FR311)	1
3	300F7787	Rotor Insert	1
4	300KTH0034	Seal Assembly Kit(Includes Items 11&15)	1
5	300G9285	O-Ring Gasket Flurocarbon (-236)	1
6	700G7063	Rotor Cover	1
7	300G7296	3/8-16 x 3/4 HHCS	2
8	300G8379	Rotor, 2" Wide	1
9	300H0723	Vanes, Carbon 2" Wide	8
10	300F7746	3/8-16 x 3 HHCS	2
11	700F2688	Retaining Ring (Included w/Item 4)	1
12	300F7723	Bypass Valve Assembly	1
13	800F4381	O-Ring Flurocarbon 2-131	1
14	300F7731	Bypass Cap	1
15	30F4660	Seal Washer (Included w/Item 4)	1
16	700F2810	5/16-18 x 7/8 HHCS	4
17	300F7739	Check Valve Cover	1
18	400F0191	O-Ring Gasket Flurocarbon (-231)	1
19	300F7735	Check Valve Assembly	1

ITM. NO.	PART NO.	DESCRIPTION	QTY.
20	300G8621	Lower Housing	1
22	300F7788	Inlet Gasket (Flurocarbon -224)	1
23	300F8688	Pump Housing (Models FR310 & FR311)	1
25	300F7776	2" x 1 1/2" Tank Adapter	1
27	300G9432	Washer 1/4" Split lock	1
28	300G9273	10-32NC-2B X 1.50 SHCS	1
31	700F2810	5/16-18 x .875 HHCS	4
32	300G9129	O-ring 2-146	1
33	304F7904	1/4-20 1/2 HWHMS	4
34	300F7761	Switch Lever	1
35	300G8967	Junction Box	1
36	300G8971	Junction Box Cover	1
38	300F7773	1" x 12' Hose	1
39	800F4400	1" Street Elbow	1
40	300F7745	3/8-16 x 2 HHCS	2
41	300F7765	Nozzle Cover	1
42	BDH0709	1" Manual Nozzle Biodiesel	1
	BDH0708	1" Automatic Hi-flow Nozzle	Opt.
43	300F7759	Locking Link	1
44	700F2950	5/16 Lock Nut	2

RIVER BEND



INDUSTRIES

Moorhead, MN 56560
218-236-1818
800-365-3070
www.riverbendind.com

BD300KTH0712	Repair Kit (Includes items 3-6, 8, 9, 12, 13, 18 & 22)
300KTH0034	Seal Kit (Includes item 6)

ACCESSORIES	
TH14	Pedestal Kit
BD901MK	Meter Kit