

# FILL-RITE BD700 SERIES

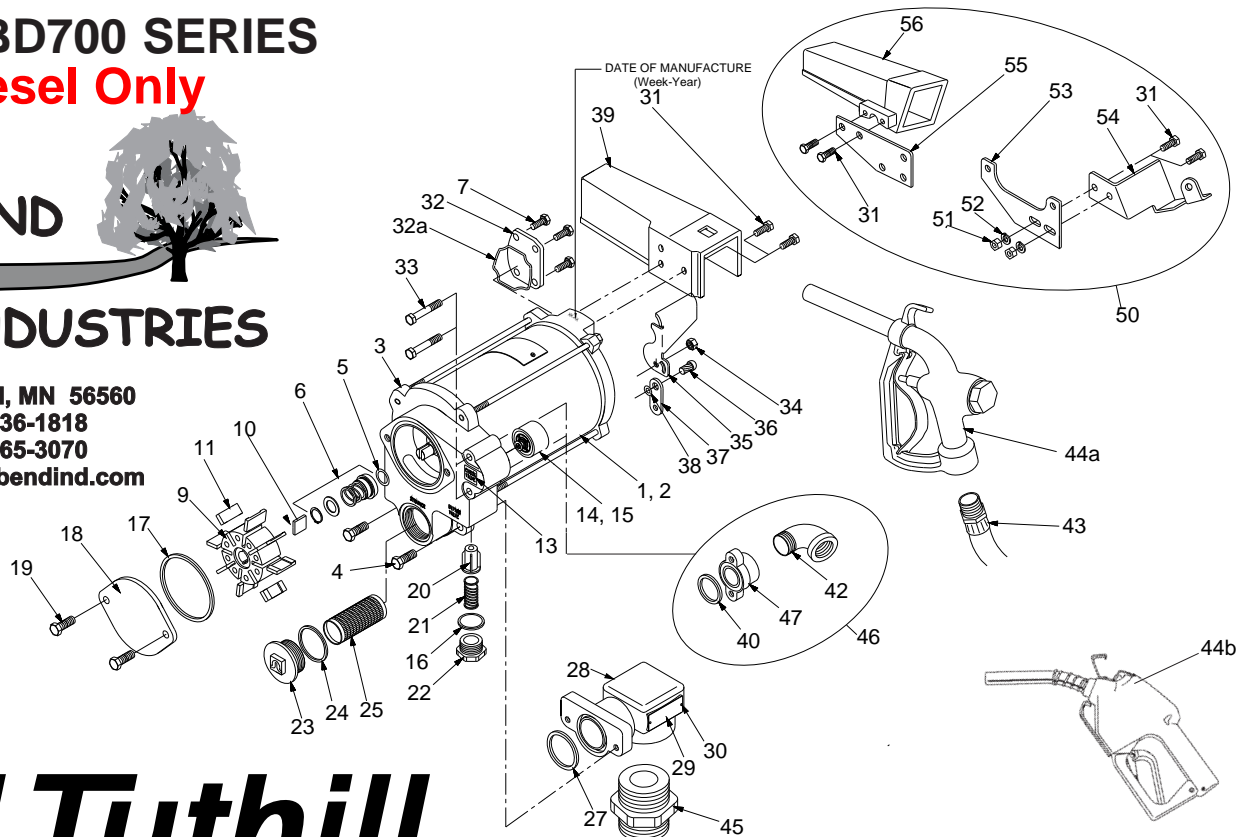
## For Bio Diesel Only

### RIVER BEND



### INDUSTRIES

Moorhead, MN 56560  
218-236-1818  
800-365-3070  
www.riverbendind.com



#### BD700 SERIES PUMP PARTS LIST

ITM. NO.	PART NO.	DESCRIPTION	QTY.	ITM. NO.	PART NO.	DESCRIPTION	QTY.
1	700F2683	Motor - 115V, 60 Hz	1	34	700F2950	5/16-18 Lock Nut	1
2	700F2697	Motor - 220V, 50/60 Hz	Opt.	35	700F6680	Switch Lever	1
	1200F3170	Line Switch		36	700F1950	#14 x 5/8 Drive Screw	1
		(Included w/items 1 & 2)		37	700F6814	Locking Link	1
	700F3149	Switch Shaft Assy.	1	38	5200F1440	1/4 Spring Washer	1
		(Included w/items 1 & 2)		39	700F6673	Nozzle Cover	1
3	700F2686	Pump Housing	1	40	700F2801	O-Ring Gasket (fluorocarbon -218)	1
		(Included w/item 2)		42	702F3400	Street Elbow (Model FR701)	1
4	704F3700	3/8-16 x 1.00 HHCS	2	43	700F3135	12' UL Listed Hose	1
5	700F2754	Fiber Seal Slinger	1	44a	700F3125	1" Manual Nozzle	1
6	300KTH0034	Seal Assembly	1		6F3095	3/4" x 1 Reducer Bushing	1
7	304F7904	1/4-20 x .50 HWHMS	4	44b	BDH0707	3/4" Automatic Nozzle	Opt.
9	700G8380	Rotor	1	45	700F2170	Tank Adapter	1
10	700F3131	Rotor Key	1		300KTH0034	Seal Kit (Includes Items 6)	
11	700H0534	Vane - Carbon Machined	8	46	700F3127	Discharge Assy.	Opt.
13	700F2680	Check Valve Label	1	47	700F3020	Outlet Fitting	1
14	700F2261	Check Valve Assembly	1	40	700F2801	O-Ring Gasket (fluorocarbon -218)	1
15	700F2679	Substitute Check Valve	Opt.	42	702F3400	Street Elbow	1
16	1200G9290	O-Ring Gasket (fluorocarbon -121)	1	<b>REPAIR KITS</b>			
17	300G9285	O-Ring Gasket (fluorocarbon -236)	1	BD700KTH0711	BD700 Repair Parts Kit (includes items 31 & 51 - 56)		
18	700G7063	Rotor Cover	1	300KTH0034	Seal Kit (includes item 6)		
19	300G7296	3/8-16 x .75 HHCS	2	<b>OPTIONAL AUTOMATIC NOZZLE RETAINER</b>			
20	700F2763	Poppet (fluorocarbon)	1	50	700KTF8598	Auto-Nozzle Retainer Kit (includes items 31, 51, 52, 53, 54, 55, 56)	Opt.
21	700F2775	Bypass Spring	1	51	704F3680	5/16-18 Hex Nut	2
22	1200F6464	Bypass Cap	1	52	704F3690	5/16 Lockwasher	2
23	800F4360	Strainer Cover	1	53	700F8518	Retainer Bracket	1
24	800F4381	O-Ring Gasket (fluorocarbon -131)	1	54	300F7759	Nozzle Retainer	1
25	700F2665	Strainer	1	55	300F8520	Cover Bracket	1
27	300F7788	O-Ring Gasket (fluorocarbon -224)	1	56	300F7764	Nozzle Cover	1
28	700F2652	Inlet Housing	1	<b>ACCESSORIES</b>			
29	-----	Pump Nameplate	1	TH13	Pedestal Kit		
30	700G1906	3/32 Rivet	2	BD807CMK	Meter Kit		
31	600F2220	5/16-18 x .625 HHCS	2				
32	700G9000	Junction Box Cover	1				
32a	700G9066	Junction Box Gasket	1				
33	304F7717	5/16-18 x 2 1/4 HHCS	2				