

FILL-RITE LP50, LP200, LP450, LP650



Fort Wayne, Indiana

RIVER BEND



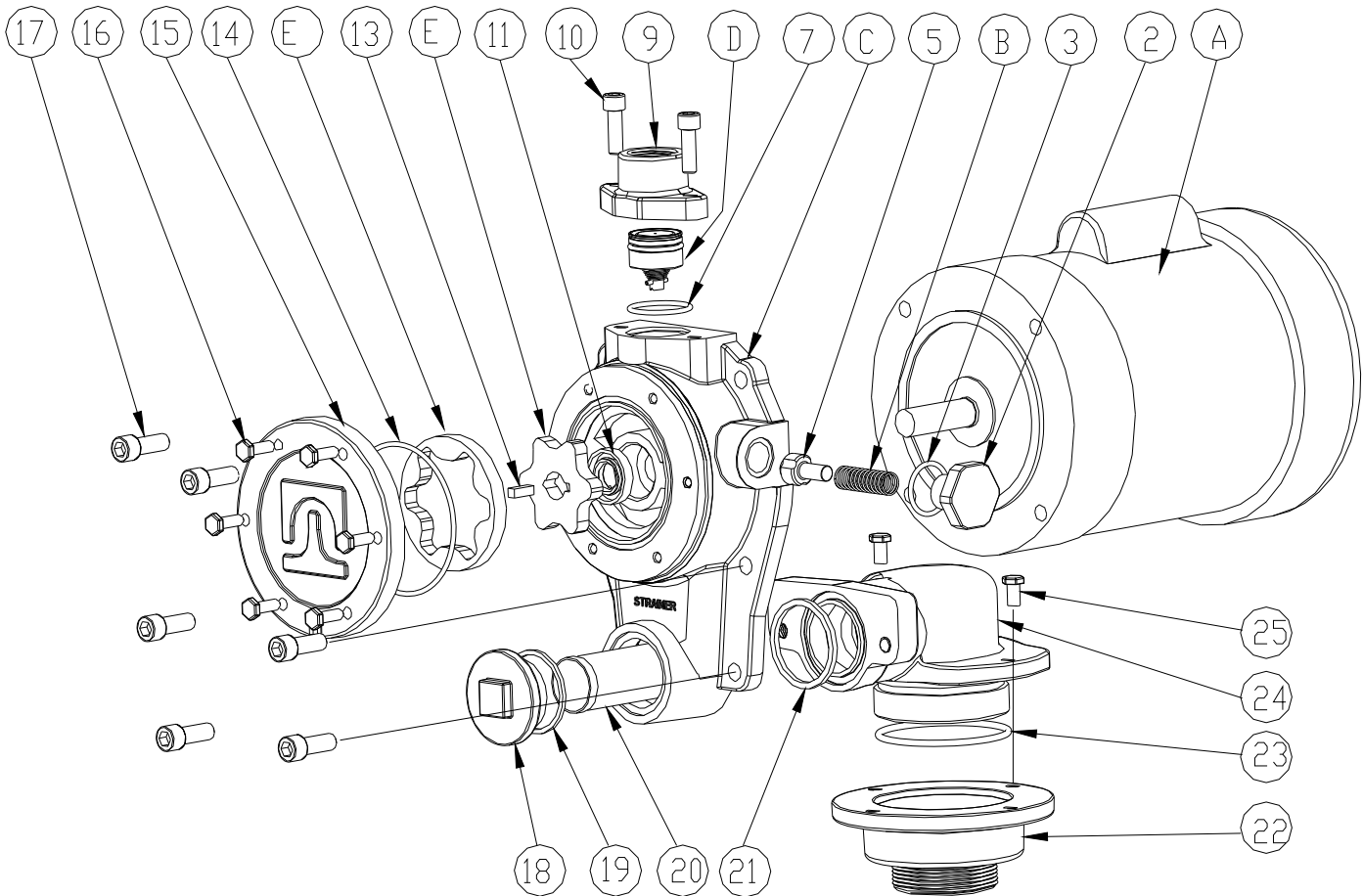
INDUSTRIES

Moorhead, MN 56560

218-236-1818

800-365-3070

www.riverbendind.com



BASIC LP PUMP PARTS LIST (Common to all models)

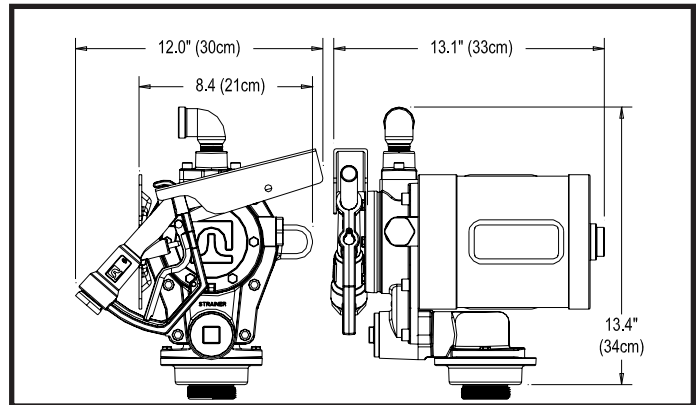
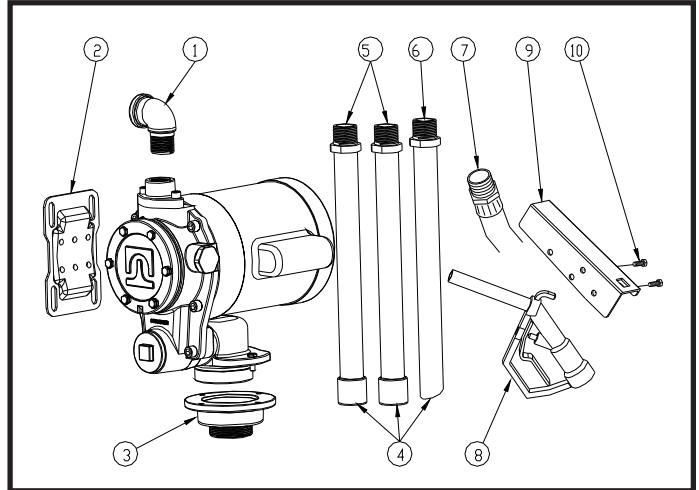
ITM. NO.	PART NO.	DESCRIPTION	QTY.	ITM. NO.	PART NO.	DESCRIPTION	QTY.
A	Pages 9-12	Motor - Model Specific	1	13	LP50G9990	Key Shaft	1
2	LP50H0157	Bypass Cap Assembly	1	14	LP50G9972	O-Ring, Rotor Cover	1
3	LP50H0069	Bypass Cap O-Ring	1	15	LP50G9920	Rotor Cover	1
B	Pages 9-12	Bypass Spring - Model Specific	1	16	LP50H0219	Screw 5/16-18 x 3/4" SHCS	6
5	LP50G9976	Bypass Valve	1	17	LP50G9973	Screw 3/8-16 x 1" SHCS	6
C	Pages 9-12	Pump Housing - Model Specific	1	18	800F4370	Strainer Cap	1
7	400G8109	O-Ring -124 (Outlet Flange)	1	19	800F4381	Gasket, Strainer Cap	1
D	Pages 9-12	Check Valve Assembly - Model Specific	1	20	700F2665	Stainer Screen	1
9	LP50G9927	Outlet Flange	1	21	300F7744	Gasket, Lathe cut (-244)	1
10	LP50H0066	Screw 5/16 x 7/8" SHCS (Outlet Fitt.)	2	22	LP50H0027	Tank Adapter Quick-Detach	1
11	LP50G9974	Lip Seal, Motor Shaft	1	23	LP50G9979	O-Ring -232 (Inlet Flange)	1
E	Pages 9-12	Gear Set - Model Specific	1	24	LP50G9924	Inlet Flange	1
				25	LP50H0219	Screw 5/16-18 x 3/4" SHCS	2

LP KIT MODELS

MODEL LP50P18Q115

MAX FLOW = 18 qt/min (17 liter/min)
 MAX PRESSURE = 50 psi (3.4 bar)
 NOMINAL CURRENT DRAW = 5.2 amps @ 115VAC

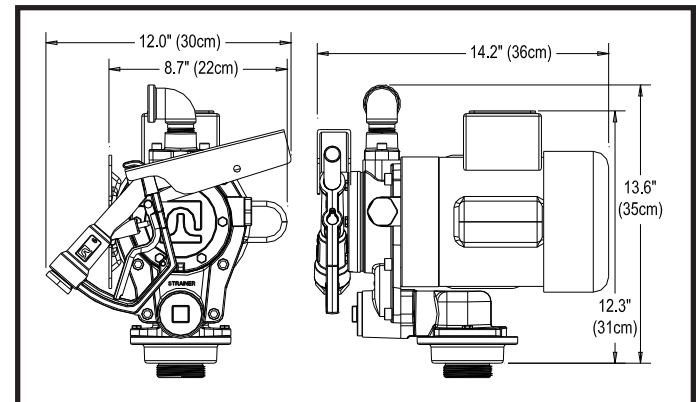
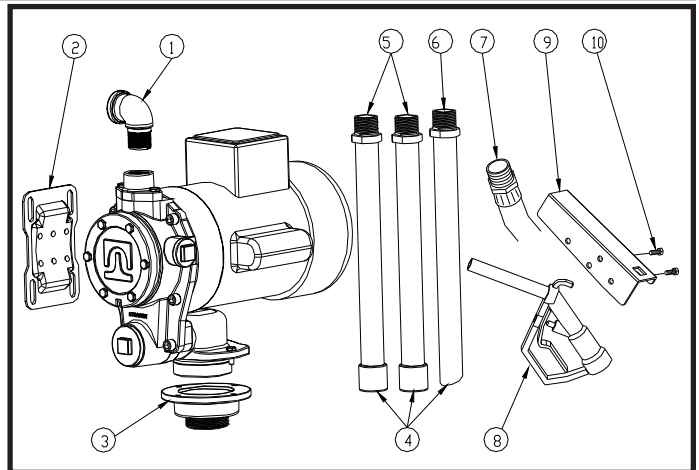
ITM. NO.	PART NO.	DESCRIPTION	QTY.
1	702F3400	Elbow 3/4" NPT	1
2	Incl. w/motor	Motor Mounting Bracket	1
3	LP50H0027	Quick-Detach Bung Adapter	1
4	1200KTG7743	Suction Pipe 1" (Includes item 5-6)	1
5	VP1400F7687	Suction Pipe 1" PVC, Extension	2
6	VP1400F7686	Suction Pipe 1" PVC, Assembly	1
7	LP50G9987	Hose 3/4" ID X 8 feet long	1
8	6U075	3/4" Manual Nozzle	1
9	LP50H0090	Nozzle Cover	1
10	300F7751	Screw 5/16-18 x 1/2" (Nozzle Cover)	2
Items A to E from page 8			
A	LP50G9958	Motor 1/3 HP, 115VAC, 1700 rpm	1
B	LP50G9977	Bypass Spring	1
C	LP50G9922	Pump Housing	1
D	LP50G9980	Check Valve Assembly	1
E	LP50G9944	Gear Set	1
	LP50G9967	Power Cord 36" long (not shown)	1



MODEL LP50P36Q115

MAX FLOW = 36 qt/min (34 liter/min)
 MAX PRESSURE = 50 psi (3.4 bar)
 NOMINAL CURRENT DRAW = 12 amps @ 115VAC

ITM. NO.	PART NO.	DESCRIPTION	QTY.
1	702F3400	Elbow 3/4" NPT	1
2	Incl. w/motor	Motor Mounting Bracket	1
3	LP50H0027	Quick-Detach Bung Adapter	1
4	1200KTG7743	Suction Pipe 1" (Include items 5-6)	1
5	VP1400F7687	Suction Pipe 1" PVC, Extension	2
6	VP1400F7686	Suction Pipe 1" PVC, Assembly	1
7	LP50G9987	Hose 3/4" ID X 8 feet long	1
8	6U075	3/4" Manual Nozzle	1
9	LP50H0090	Nozzle Cover	1
10	300F7751	Screw 5/16-18 x 1/2" (Nozzle Cover)	2
Items A to E from page 8			
A	LP50G9959	Motor 1 HP, 115VAC, 3400 rpm	1
B	LP50G9977	Bypass Spring	1
C	LP50G9922	Pump Housing	1
D	LP50G9980	Check Valve Assembly	1
E	LP50G9944	Gear Set	1
	LP50G9968	Power Cord 36" long (not shown)	1



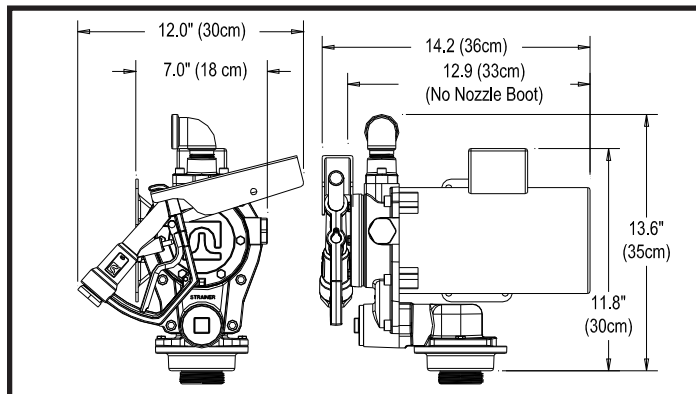
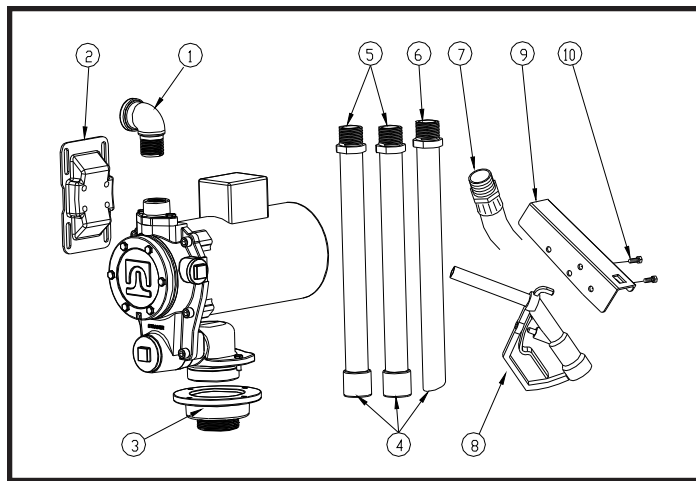
MODEL LP50P18Q12

MAX FLOW = 18 qt/min (17liter/min)

MAX PRESSURE = 50 psi (3.4 bar)

NOMINAL CURRENT DRAW = 39 amps @ 12VDC

ITM. NO.	PART NO.	DESCRIPTION	QTY.
1	702F3400	Elbow 3/4" NPT	1
2	Incl. w/motor	Motor Mounting Bracket	1
3	LP50H0027	Quick-Detach Bung Adapter	1
4	1200KTG7743	Suction Pipe 1" (Include items 5-6)	1
5	VP1400F7687	Suction Pipe 1" PVC, Extension	2
6	VP1400F7686	Suction Pipe 1" PVC, Assembly	1
7	LP50G9987	Hose 3/4" ID X 8 feet long	1
8	6U075	3/4" Manual Nozzle	1
9	LP50H0090	Nozzle Cover	1
10	300F7751	Screw 5/16-18 x 1/2" (Nozzle Cover)	2
Items A to E from page 8			
A	LP50G9957	Motor 1/2 HP, 12VDC, 1700 rpm	1
B	LP50G9977	Bypass Spring	1
C	LP50G9922	Pump Housing	1
D	LP50G9980	Check Valve Assembly	1
E	LP50G9944	Gear Set	1

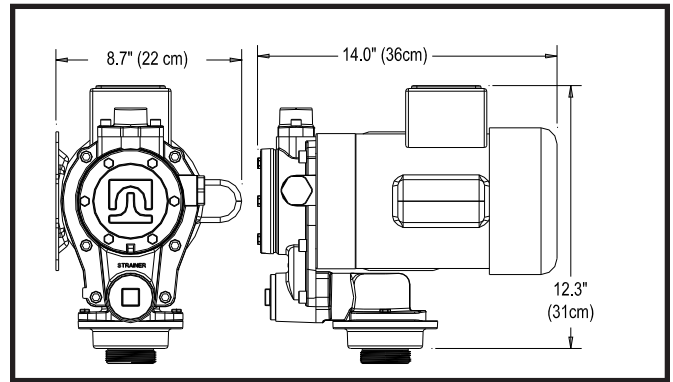
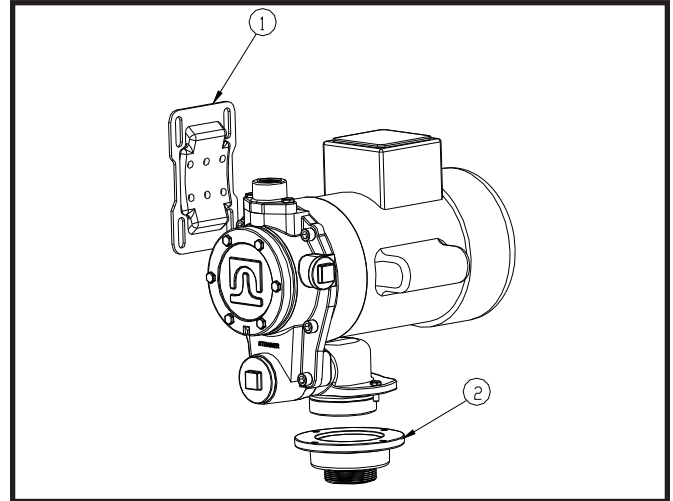


LP BULK TRANSFER MODELS

MODEL LP200P18Q

MAX FLOW = 18 qt/min (17 liter/min)
 MAX PRESSURE = 200 psi (13.8 bar)
 NOMINAL CURRENT DRAW = 12 amps @ 115VAC
 NOMINAL CURRENT DRAW = 6 amps @ 230VAC
 FACTORY WIRED FOR 115VAC

ITM. NO.	PART NO.	DESCRIPTION	QTY.
1	Incl. w/motor	Motor Mounting Bracket	1
2	LP50H0027	Quick-Detach Bung Adapter	1
Items A to E from page 8			
A	LP450G9960	Motor 1 HP, 115VAC, 1700 rpm	1
B	LP200H0067	Bypass Spring	1
C	LP50G9922	Pump Housing	1
D	LP50G9980	Check Valve Assembly	1
E	LP50G9944	Gear Set	1

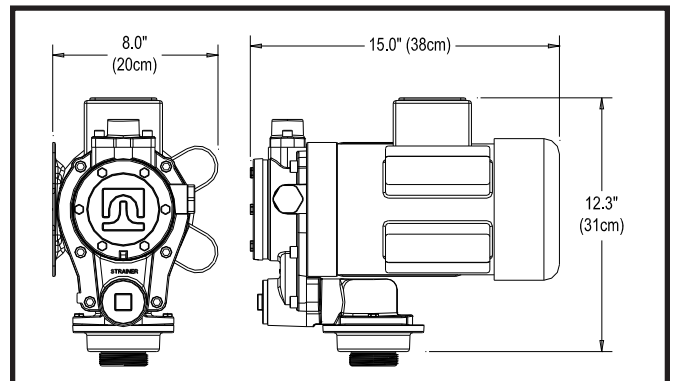
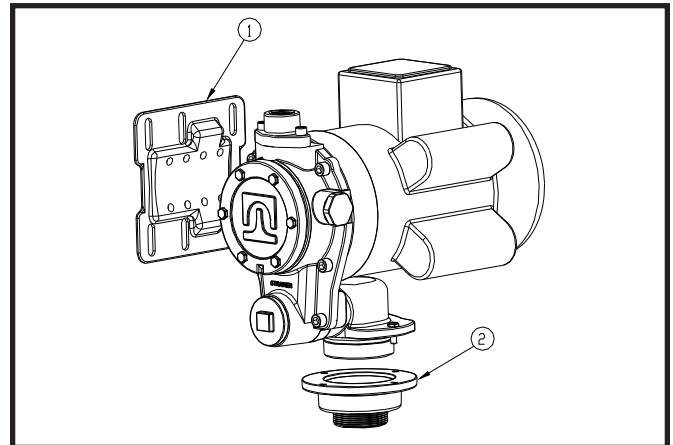


MODEL LP200P36Q

MAX FLOW = 36 qt/min (34 liter/min)
 MAX PRESSURE = 200 psi (13.8 bar)
 NOMINAL CURRENT DRAW = 18.2 amps @ 115VAC
 NOMINAL CURRENT DRAW = 9.1 amps @ 230VAC
 FACTORY WIRED FOR 230VAC

NOTE: Not recommended for use with 115VAC power unless circuit is fitted with appropriate breaker and wire size to handle motor load.

ITM. NO.	PART NO.	DESCRIPTION	QTY.
1	Incl. w/motor	Motor Mounting Bracket	1
2	LP50H0027	Quick-Detach Bung Adapter	1
Items A to E from page 8			
A	LP200G9962	Motor 2 HP, 115/230 VAC, 3400 rpm	1
B	LP200H0067	Bypass Spring	1
C	LP50G9922	Pump Housing	1
D	LP50G9980	Check Valve Assembly	1
E	LP50G9944	Gear Set	1

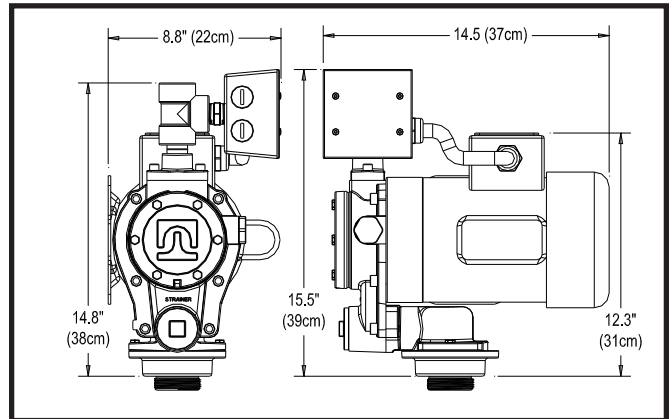
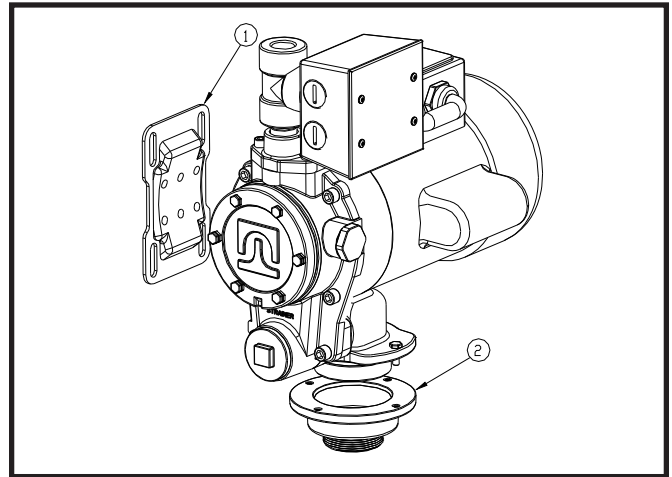


LP ON-DEMAND PUMP

MODEL LP450P10Q

MAX FLOW = 10 qt/min (9.5 liter/min)
 MAX PRESSURE = 450 psi (31 bar)
 NOMINAL CURRENT DRAW = 12.4amps @ 115VAC
 NOMINAL CURRENT DRAW = 6.2 amps @ 230VAC
 PRESSURE SENSING ON/OFF SWITCH = Set at 400 psi
 FACTORY WIRED FOR 115VAC

ITM. NO.	PART NO.	DESCRIPTION	QTY.
1	Incl. w/motor	Motor Mounting Bracket	1
2	LP50H0027	Quick-Detach Bung Adapter	1
Items A to E from page 8			
A	LP450G9960	Motor 1 HP, 115/230 VAC, 1700 rpm	1
B	LP450H0068	Bypass Spring	1
C	LP450G9947	Pump Housing	1
D	LP450H0092	Check Valve Assembly	1
E	LP50G9945	Gear Set	1



MODEL LP650P10Q

MAX FLOW = 10 qt/min (9.5 liter/min)
 MAX PRESSURE = 650 psi (44.8 bar)
 NOMINAL CURRENT DRAW = 15.6amps @ 115VAC
 NOMINAL CURRENT DRAW = 7.8 amps @ 230VAC
 PRESSURE SENSING ON/OFF SWITCH = Set at 650 psi
 FACTORY WIRED FOR 230VAC

NOTE: Not recommended for use with 115VAC power unless circuit is fitted with appropriate breaker and wire size to handle motor load.

ITM. NO.	PART NO.	DESCRIPTION	QTY.
1	Incl. w/motor	Motor Mounting Bracket	1
2	LP50H0027	Quick-Detach Bung Adapter	1
Items A to E from page 8			
A	LP650G9961	Motor 1 1/2 HP, 115/230VAC, 1700 rpm	1
B	LP200H0067	Bypass Spring	1
C	LP450G9947	Pump Housing	1
D	LP450H0092	Check Valve Assembly	1
E	LP50G9945	Gear Set	1

